

PRODUCT INFORMATION PACKET

Model No: 5KH36KN112

Catalog No: H206

1/8 HP Single Phase HVAC/R Motor, 1 phase, 1200 RPM, 115 V, 56CZ Frame, ODP
HVAC/R Single Phase Motors



Nameplate Specifications

Output HP	0.13 Hp	Output KW	0.10 kW
Frequency	60 Hz	Voltage	115 V
Current	3.8 A	Speed	1140 rpm
Service Factor	1.4	Phase	1
Efficiency	44.5 %	Power Factor	0
Duty	Continuous	Insulation Class	B
KVA Code	P	Frame	56CZ
Enclosure	Drip Proof	Thermal Protection	N/R
Ambient Temperature	40 °C	Drive End Bearing Size	6203
Opp Drive End Bearing Size	6203	UL	Recognized
CSA	Yes	CE	N

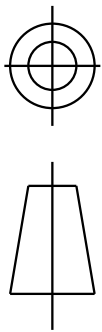
Technical Specifications

Electrical Type	Split Phase	Starting Method	SM
Poles	6	Rotation	Counterclockwise/Clockwise
Mounting	Round	Motor Orientation	ANY
Drive End Bearing	BALL	Opp Drive End Bearing	Ball
Frame Material	Rolled Steel	Overall Length	10.68 in
Frame Length	6.22 in	Shaft Diameter	0.630 in
Shaft Extension	2.25 in	Thru-bolts Extension	0 in
Connection Drawing	52A105377AA	Outline Drawing	52A102411P4

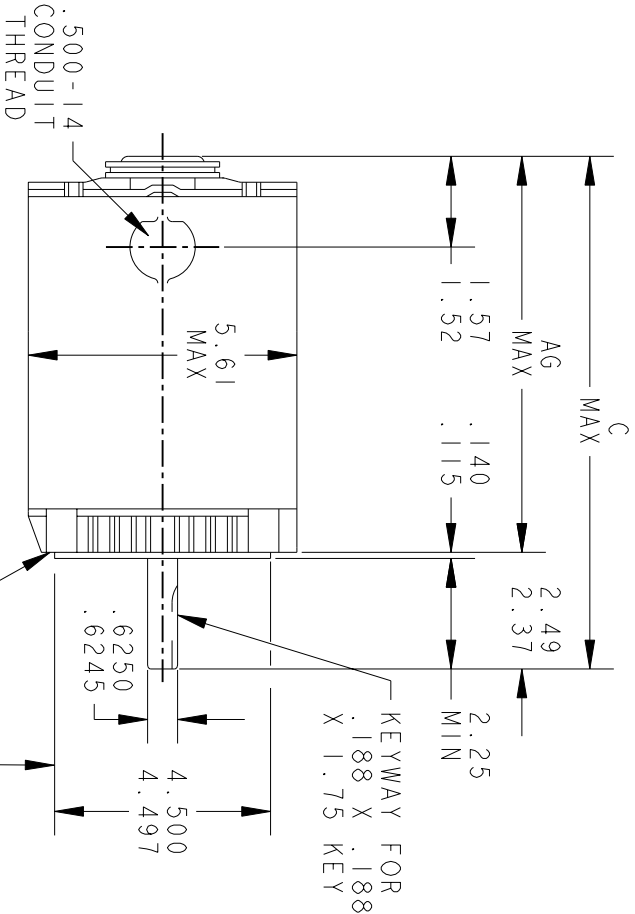
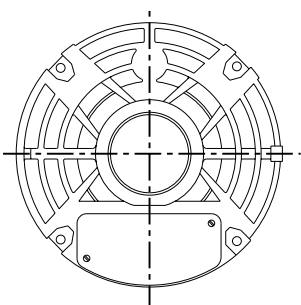
This is an uncontrolled document once printed or downloaded and is subject to change without notice. Date Created:03/11/2020

This document is the property of REGAL-BELOIT CORPORATION ("BGC") including its subsidiaries and divisions and contains proprietary information of BGC. This document is loaned on the express condition that neither the recipient nor any other person shall be permitted to disclose or disseminate the information contained herein without the express written consent of BGC. This document shall be returned to BGC upon its request. This document may be subject to certain restrictions under U.S. export control laws and regulations.

THIRD ANGLE PROJECTION



VIEW FACING
LEAD END



FACE RUNOUT (WITH INDICATOR MOUNTED STATIONARY, RELATIVE TO SHAFT) MUST NOT EXCEED .010 TIR

ECCENTRICITY OF THIS SURFACE (WITH INDICATOR MOUNTED STATIONARY RELATIVE TO SHAFT) MUST NOT EXCEED .010 TIR

.375-16 UNC-2B (4 HOLES)
.82 MIN. FULL THD. THESE HOLES FIT A GAGE HAVING A RABBET 4.5005 DIA. AND 4 PINS .2917 DIA. LOCATED ON THE BASIC HOLE POSITIONS.

5	KH	37	56CZ	11.08	8.61
4	KH	36	56CZ	10.68	8.21
3	KH	35	56CZ	10.25	7.78
2	KH	33	56CZ	9.87	7.40
1	KH	32	56CZ	9.62	7.15

PT	TYPE	GE SIZE	NEMA FR	C	AG	SHELL REF
----	------	---------	---------	---	----	-----------

FOR ADDITIONAL INFO REFER TO:

APPLIED PRACTICES	MODEL	SIGNATURES	DATE
DIMENSIONS ARE IN INCHES	DETAIL	BCC	09/02/17

TOLERANCE ON:	CHECKED
1 PL DECIMALS ± 0.1	ENGRG
2 PL DECIMALS ± 0.02	MFG
3 PL DECIMALS ± 0.005	QUALITY
FRACTIONS ±	ISSUED
FINISH	MDP

MATERIAL	SOLID MODEL: 52A102411
----------	------------------------



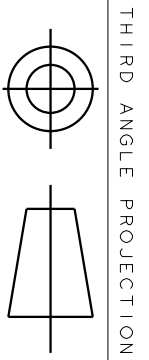
REGAL-BELOIT CORPORATION

OUTLINE

FORM "N" MOTOR-DRIP PROOF R2 END MOUNTED
-SLEEVE & BALL BEARING. FME SKH32DNIII

52A102411 REV 6

SCALE: 1.000 REF. No.:

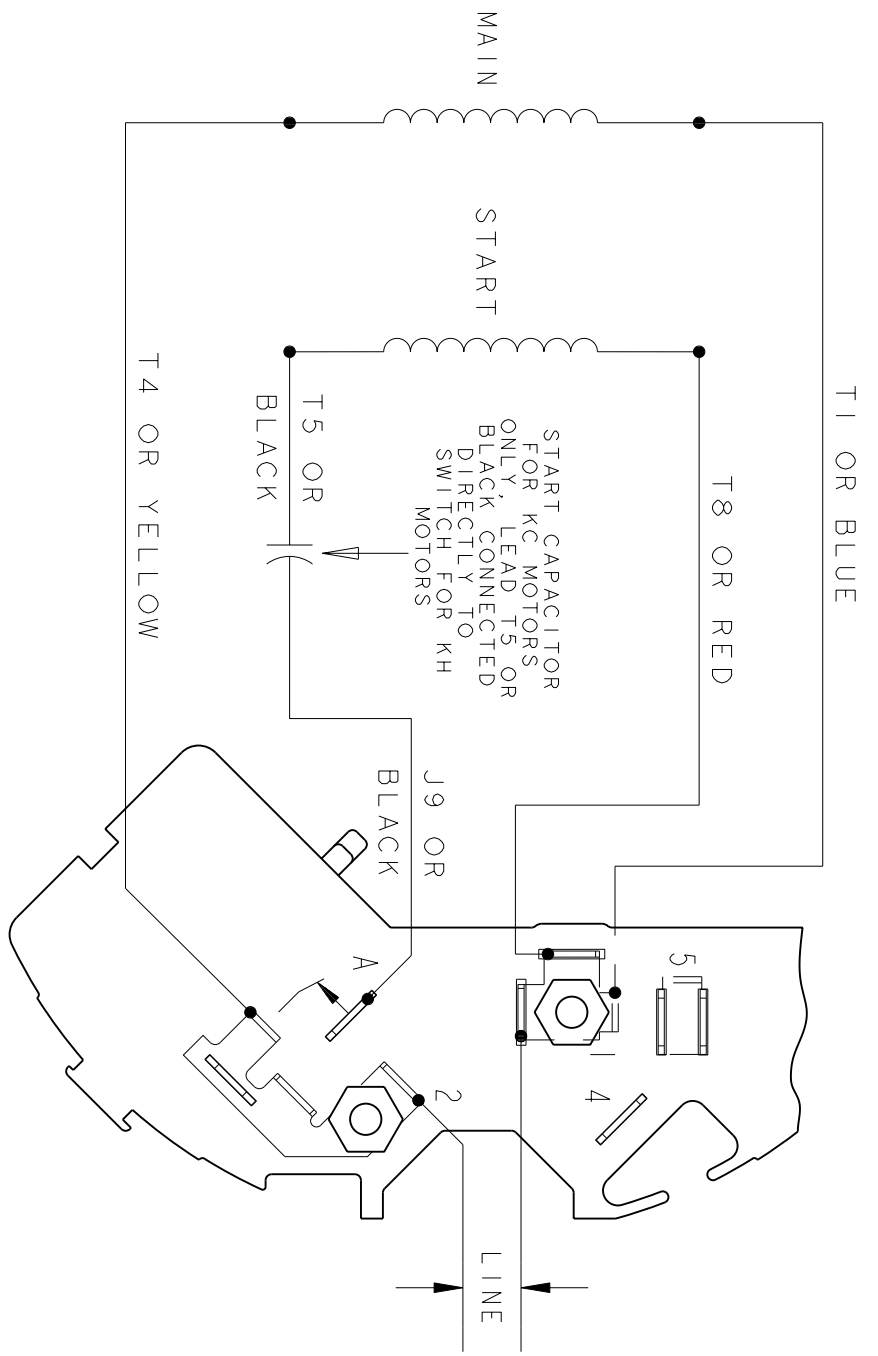


THIRD ANGLE PROJECTION

REVISIONS

REV.	DESCRIPTION	DATE	APPROVED
1	UPDATED FORMAT	11/10/05	MAM

EITHER ROTATION - SINGLE VOLTAGE
TYPE KC, OR KH



NOTE #1 - TO REVERSE ROTATION INTERCHANGE BLACK (T5-KH OR J9-KC) AND RED (T8) LEADS.

NOTE #2 - WHEN MORE THAN ONE CAPACITOR IS USED CONNECT IN PARALLEL.

REF. DIAG. - 121A850		SWITCH (C) - 115D958AB	
CONNECTION LABEL - 52X332047			
SIGNATURES			
MODEL	M.D. PAPER	DATE	
DETAIL			
CHECKED			
ENGRG			
MFG			
QUALITY			
ISSUED	M.D.P.	DATE	
		06/29/87	
SOLID MODEL: 52A105377AA			
TITLE		REGAL-BELOTT CORPORATION	
FME: 30 FRAME SWITCH REDESIGN		CONNECTION DIAGRAM	
SCALE: 1.000	REF. No:		
SIZE DRAWING A			
SHEET 1 of 1		REV 1	