

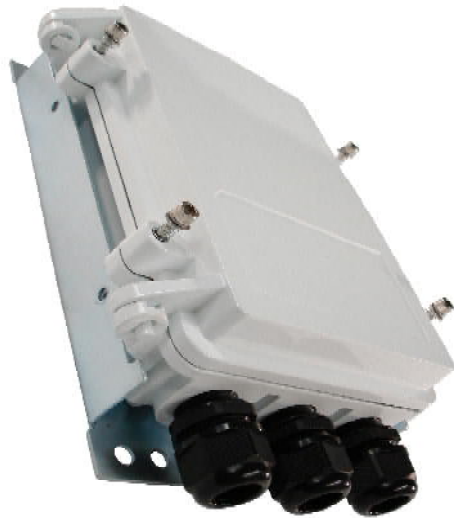


LP-2835 External Single Port 'High Power/PoE Plus' Midspan Injector

- Output up to 35 Watts PoE Power continuously
- Compliant to and exceeds both  **IEEE 802.3af** and  **IEEE 802.3at** 'High Power/PoE Plus' Standards



IEEE 802.3af and IEEE 802.3at 'HIGH POWER/PoE PLUS' Compliant

Functions and Features

The LAN Power Model **LP-2835** External Single Port High Power/PoE Plus Midspan Injector supports powering IP End Devices. The External Single Port High Power/PoE Plus Midspan Injector adds up to 35 watts continuously at ~48 VDC to unused (non-data) wires in a standard Category 5, 5e, or 6 Ethernet cable. The LP-2835 delivers both data and power over a single standard Ethernet cable to a PoE enabled End device designed to receive both Data and Power through its RJ45 connector. The second RJ45 passes data only through to Ethernet Switch. The maximum cable distance from Ethernet Switch to end IP Device is 328 feet/100 meters.

Key Features of the External Single Port High Power/PoE Plus Midspan Injector include:

- Output Wattage is up to **35 Watts** continuously
- Compliant to and exceeds **IEEE 802.3af** and **IEEE 802.3at 'High Power/PoE Plus'** Power over Ethernet Standards
- **IEEE 802.3at** and Class Detection
- Supports Data links at 10Mbps, 100Mbps or 1000Mbps (Gigabit Compatible)
- Data and Power carried on same Ethernet cable
- **External IP 67 Enclosure** with Mounting Plate and External Wiring Glands
- Extended Temperature operating range
- LED indicators show powering status

- Surge Protection with over voltage current and short circuit protected (protects the Ethernet Switch)
- Use with any PoE Compliant Device including:
 - Security and Access Controls
 - IP Security Cameras
 - VoIP Phones
 - Wireless LAN Access Points
 - Emerging PoE enabled Products both IEEE 802.3af and IEEE 802.3at 'High Power/PoE Plus' compliant
- Full 2 Year Product Warranty

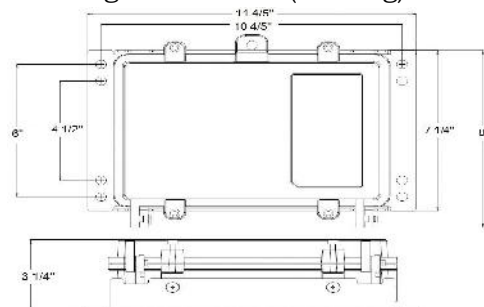
Safety Approvals

- FCC
- CE
- UL/cUL



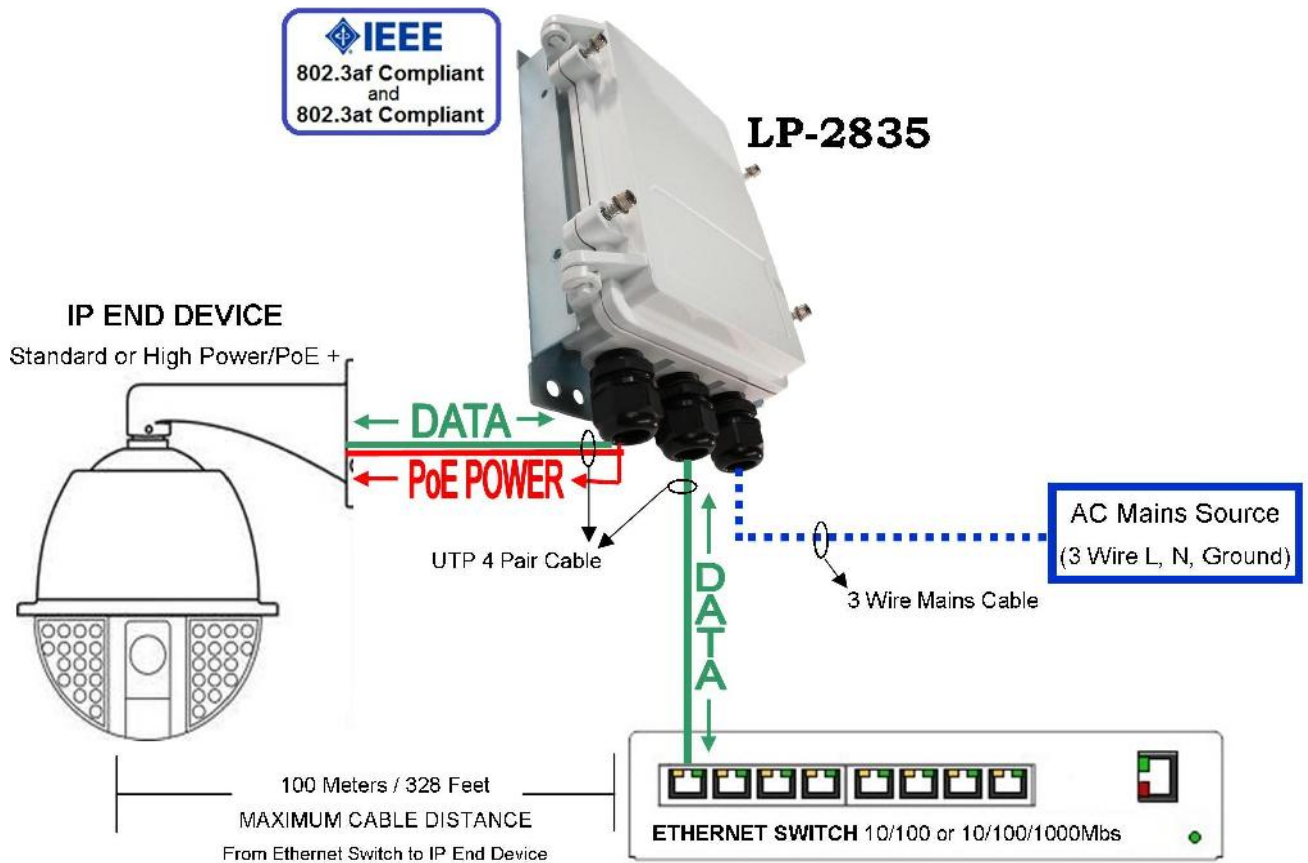
Unit Dimensions

- Length: 11 4/5" (300mm)
- Width: 8" (203.5mm)
- Height: 3 1/4" (82mm)
- Weight: 6.25 lb. (2.83 Kg)



LAN-POWER

INSTALLATION OVERVIEW DIAGRAM



Ordering Info

Model **LP-2835** External Single Port Injector High Power/PoE Plus Midspan Injector

Environmental Specifications

Operating Temperature:
-40° to 140°F / -40° to 60°C
Non-Operating Temperature:
-40° to 185° F / -40° to 85° C
Relative Humidity: 5% to 90% non-condensing
Operating Altitude:
-1,000 to 10,000 feet above Sea level
-305 to 3,048 meters above Sea level

Ethernet Data Throughput Speeds

10 Mbs Ethernet, 100 Mbs Fast Ethernet or 1000 Mbs (Gigabit Ethernet supported)

Connector Type

Non-Shielded RJ-45 meets EIA 568A and 568B

Electrical Specifications and Properties

AC Power Input

Power type: Mains 3 Screw Terminal Block (Live, Neutral, Ground)
Voltage Range: 90 - 264VAC autosensing
Voltage Rating: 100 - 240VAC
Frequency Range: 47 - 63Hz
Frequency Rating: 50 - 60Hz
Max. In-rush Current: 60A Max. at 240VAC & Max. Load

DC Power Output

PoE Protocol: IEEE 802.3af and 802.3at Standards
Power on Data Pins: 3 & 6 (+), 1 & 2 (-)
Output Voltage: +56VDC (+1V/-2V)
Max. Power on Port: 35 Watts-Class 4 @ 40°C (exceeds PoE Standard)
Load: 0A (Min.) 0.6A (Max.)
Regulation (Line/Load): 54-57vdc under all conditions
Efficiency: 70% (typical) at Max. load, and 120VAC 60Hz, class 4
Hold-up Time: 10mS Max. load and 120VAC 60 Hz