

530B CONTROL SERIES

DART

CONTROLS

Instruction Manual

Variable Speed DC Control



**P.O. Box 10
5000 W. 106th Street
Zionsville, Indiana 46077**

**Phone (317) 873-5211
Fax (317) 873-1105
www.dartcontrols.com**

TABLE OF CONTENTS

WARRANTY	1
INTRODUCTION	2
COMMONLY ASKED QUESTIONS	2
BASIC MODEL SELECTION	2
CONTROL FEATURES	3
OVERALL CONTROL DIMENSIONS	3-4
SPEEDPOT MOUNTING DIMENSIONS	4
MOUNTING INSTRUCTIONS	4
WIRING PROCEDURE	4
TERMINAL STRIP WIRING - P1	5
TERMINAL STRIP WIRING - P2	5-6
SETTING INPUT VAC	6
SWITCH LADDER CIRCUIT DIAGRAMS	6
“RE” CONTROL PANEL IDENTIFICATION	6
INITIAL START-UP	7
TRIMPOT ADJUSTMENT PROCEDURE	7-8
TRIMPOT SETTING CHART	8
1.5 AND 3.0 HORSEPOWER - MODEL 533BC	8
BASIC HOOK-UP DIAGRAM WITHOUT OPTIONS	9-10
530BC, 533BC & 530BRC HOOK-UP DIAGRAMS	9
PILOT RELAY SWITCHING	9
530BRE HOOK-UP DIAGRAM	10
JU2 JUMPER WIRE SELECTION CHART	10
CONTROL MODIFICATIONS	10-11
TWO SPEED OPERATION	10
DYNAMIC BRAKING	10
TACHOMETER FEEDBACK & FOLLOWER	11
INHIBIT INSTRUCTIONS	11
OPTIONS	11-15
-4 OPTION	11
-5 OPTION	12
-7 / -11 / -15A OPTIONS	13
-36M / -38M OPTIONS	14-15
IN CASE OF DIFFICULTY	15
FUSING	15
SPECIFICATIONS	16
530B SERIES PARTS PLACEMENT & LIST	17
530B SERIES SCHEMATIC	18
PRODUCT LINE	BACK COVER

WARRANTY

Dart Controls, Inc. (DCI) warrants its products to be free from defects in material and workmanship. The exclusive remedy for this warranty is DCI factory replacement of any part or parts of such product which shall within 12 months after delivery to the purchaser be returned to DCI factory with all transportation charges prepaid and which DCI determines to its satisfaction to be defective. This warranty shall not extend to defects in assembly by other than DCI or to any article which has been repaired or altered by other than DCI or to any article which DCI determines has been subjected to improper use. DCI assumes no responsibility for the design characteristics of any unit or its operation in any circuit or assembly. This warranty is in lieu of all other warranties, express or implied; all other liabilities or obligations on the part of DCI, including consequential damages, are hereby expressly excluded.

NOTE: Carefully check the control for shipping damage. Report any damage to the carrier immediately. Do not attempt to operate the drive if visible damage is evident to either the circuit or to the electronic components.

All information contained in this manual is intended to be correct, however information and data in this manual are subject to change without notice. DCI makes no warranty of any kind with regard to this information or data. Further, DCI is not responsible for any omissions or errors or consequential damage caused by the user of the product. DCI reserves the right to make manufacturing changes which may not be included in this manual.

WARNING

Improper installation or operation of this control may cause injury to personnel or control failure. The control must be installed in accordance with local, state, and national safety codes. Make certain that the power supply is disconnected before attempting to service or remove any components!!! If the power disconnect point is out of sight, lock it in disconnected position and tag to prevent unexpected application of power. Only a qualified electrician or service personnel should perform any electrical troubleshooting or maintenance. At no time should circuit continuity be checked by shorting terminals with a screwdriver or other metal device.

INTRODUCTION

The 530B Series is a high performance, dual voltage versatile DC motor control which provides a wide range of standard features, with many options that extend its capabilities. The 530B Series will operate 1/8 through 1.0 horsepower at 115VAC input, and 1/4 through 2.0 horsepower at 230VAC input. A chassis only model is available to operate a 1.5 horsepower motor at 115VAC input, or 3.0 horsepower at 230VAC input. Reference "Basic Model Selection" guide.

The 530B Series consists of three basic types:

- C** = Chassis mounted, no enclosure, no power relay's.
- RC** = Chassis mounted, no enclosure, with power relay's.
- RE** = Plastic enclosure with power relay's - Nema 4/12 standard.

The 530B Series is designed for Permanent Magnet, Shunt Wound, and some Universal Series (AC/DC) motors in the above horsepower ranges. The 530B Series incorporates transient voltage protection with adjustable Current Limit and AC fuses for protection. Minimum and Maximum speeds are easily adjusted by trimpots, as is the I.R. Compensation. Acceleration and Deceleration are fully adjustable via individual trimpots.

COMMONLY ASKED QUESTIONS

- Q. Can I run two or more motors from the same drive?**
A. Not recommended. The I.R. Compensation (regulation) and Current Limit circuits would have difficulty sensing the different load on each motor.
- Q. Can I change the horsepower of my motor and still use the same control?**
A. Yes, provided you do not deviate outside the horsepower range for the voltage you are using. The trimpots would need readjustment; see "Trimpot Chart" for approximate settings.
- Q. Can I use the 530B Series as a Current Follower?**
A. Yes, there is a field installable -5 or -7 option shown in "Options" section.
- Q. Can I use the 530B Series on Tachometer feedback?**
A. Yes, see +Tach (P2-9) under "Terminal Strip Wiring - P2".
- Q. Can I use the Stop (P2-11), Start (P2-13), and Common (P2-12) to stop-start the control on the "C" chassis version?**
A. No. Terminals P2-11, P2-12, and P2-13 are only active on the relay versions; "RE" and "RC". These terminals are non-operative on the "C" version.
- Q. Can the 530B Series be used as a Voltage or Tachometer Follower?**
A. Yes. The voltage must be ungrounded and no more than +12 VDC (See "Terminal Strip Wiring" for proper hook-up).
- Q. How would I proceed to stop/start the 530B Series with my own relay?**
A. You can use the contact of your relay in place of the AMP REF to REV 1 (P2-2 to P2-7) jumper wire. Since this is a low level signal (12 volts at 2mA), you must use a logic type relay (preferably gold contacts). This cannot be done on controls using some options. Consult your Dart Representative if options are involved.
- Q. Why is a jumper wire between AMP REF (P2-2) and REV 1 (P2-7) needed on drives with no options?**
A. REV 1 (P2-7) and REV 2 (P2-8) are two identical stop inputs. One of these must be held low (to Amp Ref P2-2) for the control to run. If the drive has no options, this must be jumpered to satisfy the "OR" gate. This requirement is satisfied by some options. For these options, a connection must be made to these terminals. Instead of a jumper wire, the option is wired to these terminals. (See "Jumper Wire Selection").

BASIC MODEL SELECTION

<i>115/230 VAC INPUT 0-90/0-180 VDC OUTPUT 100/200 VDC FIELD</i>			
HP RANGE ¹	CHASSIS	RELAY CHASSIS	RELAY ENCLOSED
1/8 - 2.0	530BC	530BRC	530BRE
<i>115/230 VAC INPUT 0-90/0-180 VDC OUTPUT 100/200 VDC FIELD</i>			
HP RANGE ²	CHASSIS	RELAY CHASSIS	RELAY ENCLOSED
1.5 and 3.0	533BC	Not Available	Not Available

Notes:

- 1) 1/8 - 1.0 h.p. uses 115VAC input, 0-90VDC output and 100VDC field; 1/4 - 2.0 h.p. uses 230VAC input, 0-180VDC output and 200VDC field
- 2) 1.5 h.p. uses 115VAC input, 0-90VDC output and 100VDC field; 3.0 h.p. uses 230VAC input, 0-180VDC output and 200VDC field

CONTROL FEATURES

INPUT VOLTAGE SELECTION SWITCH - Switch **selectable** between 115 VAC and 230 VAC input.

MIN SPEED - (Minimum speed) Allows adjustment of the motor speed when the speedpot is set at minimum. This permits the user to eliminate the "Deadband" on the main speed control, permitting zero calibration. Clockwise rotation of the "MIN" trimpot increases output VDC.

ACCEL - (Acceleration) Allows adjustment of the motor acceleration from a minimum of 0.3 seconds to a maximum of 12 seconds. The -15A option extends the maximum acceleration time to 30 seconds.

DECEL - (Deceleration) Allows adjustment of the motor deceleration from a minimum of 0.6 seconds to a maximum of 12 seconds. The -15A option extends the maximum deceleration time to 30 seconds.

MAX SPEED - (Maximum speed) Allows adjustment of the motor speed when the speedpot is set at maximum (CW). This permits the user to eliminate the "DEADBAND" of the speedpot, providing full speed at maximum rotation. Rotation of the "MAX" trimpot in the clockwise direction increases maximum output VDC.

I.R. COMP - (Speed Regulation) Allows adjustment of the circuitry that controls the speed regulation of the motor. This feature controls armature speed by changing the armature voltage to compensate for increased or decreased motor loading. Clockwise rotation of the "I.R. COMP" trimpot will increase gain compensation.

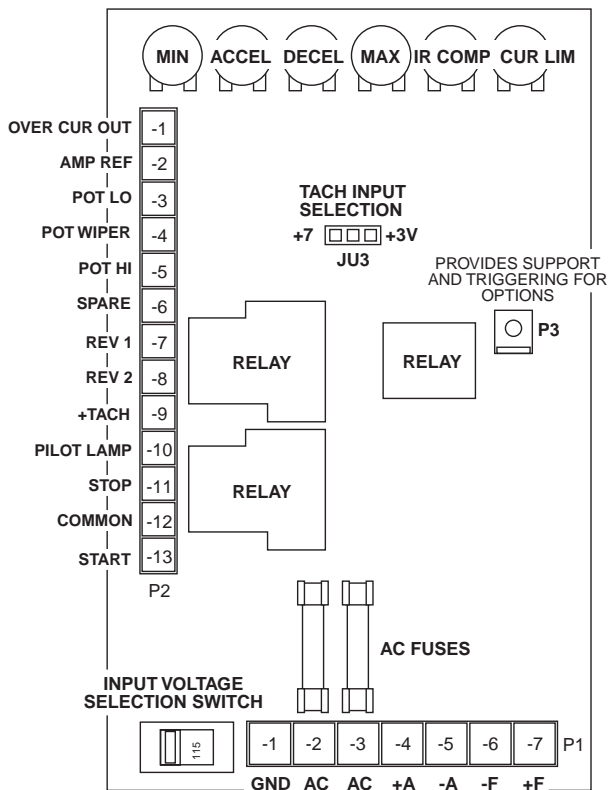
CUR. LIM. - (Current Limit) Provides protection from excessive armature current by limiting the maximum armature current the control can provide. This enables adjustment of the maximum torque the motor can deliver. Set Current Limit (CUR. LIM.) at 125% of the rated motor current. Clockwise rotation of the "CUR. LIM." trimpot increases the torque (current) the control will provide.

TACH INPUT SELECTION - Factory set at 3V per 1000 RPM, jumper selectable (JU3) to 7V per 1000 RPM. Refer to "Tach Feedback" section in "Control Modifications" for more information.

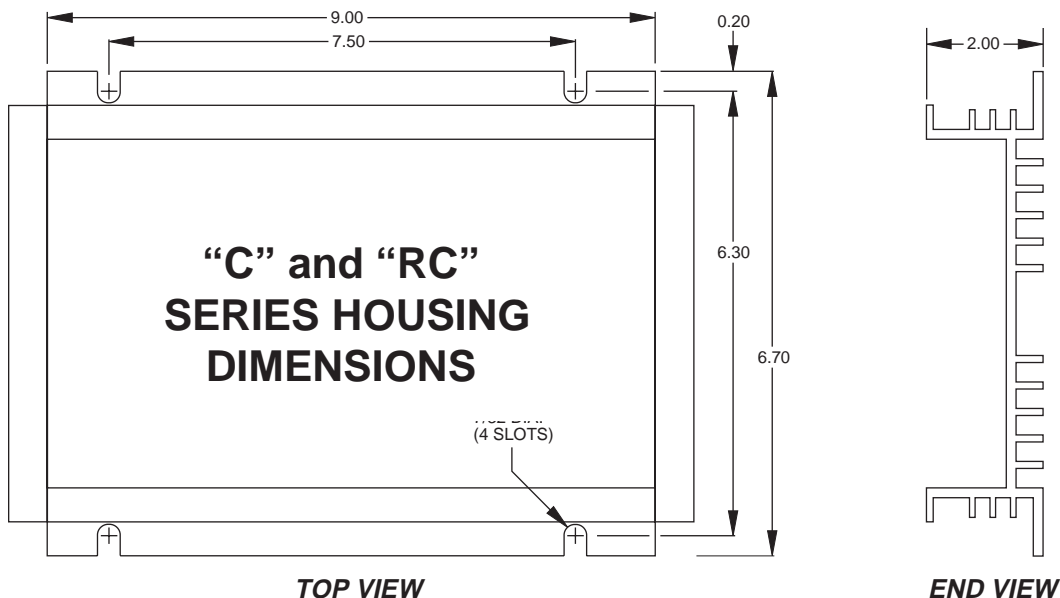
TERMINAL STRIP P1 - Barrier type terminal strip provides for connection of AC lines, motor leads, motor field (if necessary), and earth ground.

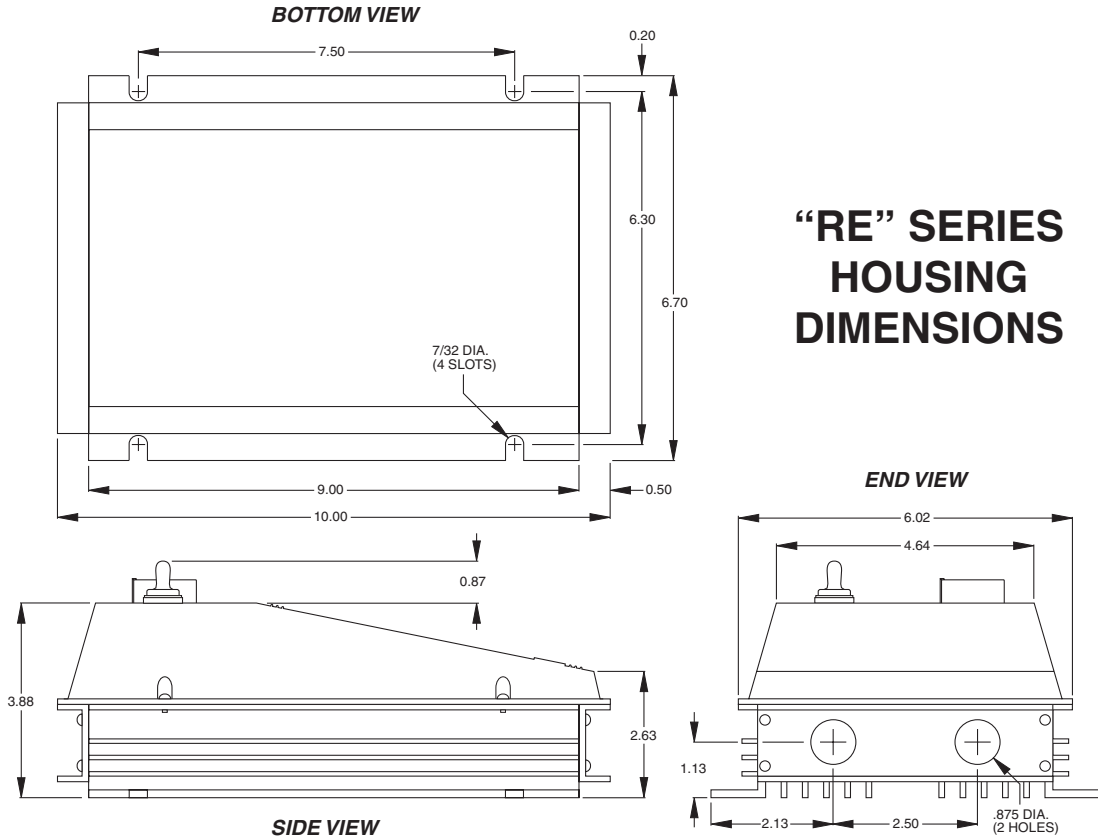
TERMINAL STRIP P2 - Barrier type terminal strip provides for connection of speed potentiometer and any accessories and/or jumper wires which control the drive.

RELAY - (Power Interrupt Relay's) Available only on the "RC" and the "RE" versions, the relay's permits the switching of AC power with a low current signal. For the "RE" version, the relay's will not allow start up after power failure without manually restarting.



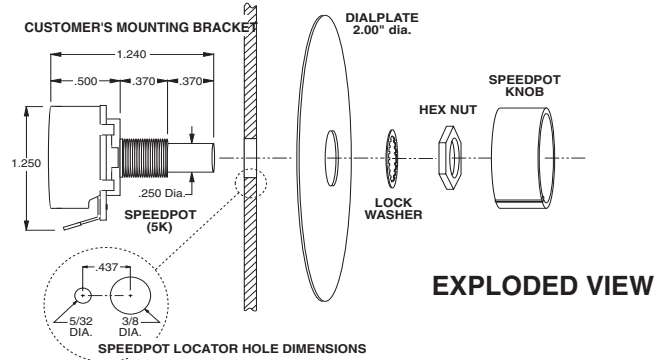
OVERALL CONTROL DIMENSIONS





SPEEDPOT MOUNTING DIMENSIONS

(For “C” and “RC” versions)



DO NOT MOUNT CONTROL WHERE AMBIENT TEMPERATURE IS OUTSIDE RANGE OF -10° to 45° C. (15° to 115° F.)

MOUNTING INSTRUCTIONS

1. Four 7/32" slots are provided for control mounting.
2. The 530B Series chassis can be used as a template.
3. Use standard hardware to mount.
4. For the “RE” version ONLY: Two 7/8" diameter holes are provided in one endplate to facilitate wiring. This allows for easy connection of 1/2" conduit.

NOTE: For enclosed models using 1 h.p. 90V or 2 h.p. 180V motors, the control MUST be mounted vertically.

CAUTION:

DO NOT ATTEMPT TO PERFORM HI-POT TEST ACROSS AC LINES WITH THE CONTROL IN CIRCUIT. THIS WILL RESULT IN IMMEDIATE OR LONG TERM DAMAGE TO THE CONTROL.

WIRING PROCEDURE

1. Size all wires which carry armature or line current to handle currents AS SPECIFIED BY NATIONAL, STATE, AND/OR LOCAL CODES. All other wires may be # 20AWG or smaller as permitted by local code.
2. Control wire (Pot, Tach, etc.) should be separated from all the Armature, Field (if Shunt Wound), and the AC wires when routed in conduits or in wire trays. The enclosed version has two holes on one endplate for this purpose.

TERMINAL STRIP WIRING - P1

CAUTION: BE SURE CONTROL HOUSING IS PROPERLY GROUNDED.

The 530B Series uses a 7 position barrier type terminal strip to handle the power connections.

- P1-1 (EARTH GROUND)** - Ground the control by connecting the ground wire to this terminal. NOTE: Terminals P1-5 (-ARM) and P2-2 (AMP REF) are electrically the same, which is the common reference point (low voltage common) for the control logic. The EARTH GROUND terminal (P1-1) is electrically different from common. If connected together, either at the amplifier or in any other fashion, fatal or hazardous operation may occur and permanent damage to the control WILL result!
- P1-2 (AC1) 115VAC** - Connect incoming hot AC (black wire) to this terminal. NOTE: This is fused (F1) on the control.
(AC1) 230VAC - Connect either hot side.
- P1-3 (AC2) 115VAC** - Connect the neutral AC (white wire) to this terminal. NOTE: This is fused (F2) on the control.
(AC2) 230VAC - Connect either hot side.
- P1-4 (+ ARMATURE)** - Connects to the plus (+) Armature wire on the motor. 0-90VDC for 115VAC input or 0-180VDC for 230 VAC input. See "SPECIFICATIONS" for output rating.

CAUTION: ARMATURE CONNECTION MUST NOT BE SWITCHED OR BROKEN WHILE CONTROL IS ON OR SERIOUS DAMAGE TO THE CONTROL MAY RESULT.

- P1-5 (- ARMATURE)** - Connects to minus (-) Armature wire (also considered circuit common) on the motor.
- P1-6 (- FIELD)** - Connect minus (-) Field wire of the Shunt Wound motor (not used on PM motors).

FIELD VOLTAGE TABLE		
Model #	VAC Input	VDC Field
530B Series	115	100
	230	200

- P1-7 (+ FIELD)** - DO NOT use for Permanent Magnet motor. This supplies + Field voltage for a Shunt Wound motor. See chart above for dual voltage Field Wound motors. This output is rated at 1 Amp for 530B series controls and 1.5 Amps for the 533B control. For motors with dual voltage field (ie. 50/100V or 100/200V), make sure the highest value is connected.

TERMINAL STRIP WIRING - P2

The 530B Series uses a 13 position barrier type terminal strip for control connections.

CAUTION: NONE OF THE P2 TERMINALS SHOULD BE EARTH GROUNDED!

- P2-1 (OVER CURRENT OUT)** - Can be used to signal that the control is in current limit. It can also signal other devices or alarms. This is a low level logic signal which goes "high" when the current limit amplifier is in current limit. The logic of this control is +12 volts, while the output at this terminal is approximately 1.5 volts through a 1000Ω resistor when in Current Limit.
- P2-2 (AMP REF)** - This is the common point of the logic. It is used as common with OVER CURRENT OUT (P2-1), +TACH (P2-9), REV 1 (P2-7), REV 2 (P2-8), and WIPER (P2-4). NOTE: Never connect this terminal to earth ground!! Serious damage and injury may result!! This terminal is electrically the same point as -ARM (P1-5).
- P2-3 (SPEEDPOT LO)** - Connects to the low side (orange wire) of the 5K Speedpot (normally the CCW end). This input is raised and lowered by the MIN trimpot. Electronic speed input voltage (voltage follower) may be referenced to Speedpot LO if the MIN trimpot adjustments are to be active. Otherwise, inputs may be referenced to AMP REF (P2-2), which will bypass the MIN trimpot. INPUT MUST NOT BE GROUNDED!

**CAUTION FOR VOLTAGE FOLLOWER APPLICATIONS:
THE INPUT CONNECTION TO THE SPEEDPOT MUST NOT BE GROUNDED !!
SERIOUS DAMAGE TO THE CONTROL MAY RESULT FROM A GROUNDED INPUT.**

- P2-4 (SPEEDPOT WIPER)** - Connects to the wiper (red wire) of the Speedpot (center lead). Use this input for the plus (+) side of voltage follower operation or tach follower. The minus (-) side connects to AMP REF (P2-2). INPUT MUST NOT BE GREATER THAN +12V MAXIMUM AND MUST NOT BE GROUNDED!
- P2-5 (SPEEDPOT HI)** - Connects to high side (white wire) of the Speedpot (CW end). This is internal +12 volts. INPUT MUST NOT BE GROUNDED!
- P2-6 (SPARE)** - This terminal is not connected to the control circuit. It can be used as a terminal for field modifications.

(P2 wiring continued)

P2-7 (REV 1) - REV 1 and REV 2 are identical quick stop inputs. One of them must be held low (to AMP REF) before the control will operate. The two are diode separated to form an "OR" gate. Since -ARM (P1-5) is also low in the system, these two inputs can be wired to the motor side of a reversing switch or relay. During the period of switching, neither input will be low, which will instantly return the set speed to zero and reset the acceleration ramp.

P2-8 (REV 2) - Identical to REV 1 (P2-7).

P2-9 (+TACH) - Connect +Tach from a DC tachometer for tachometer feedback. The minus (-) lead from the tachometer goes to AMP REF (P2-2). Output voltage from the tachometer at full speed can range from 6 to 12 volts. The scale is corrected using the JU3 jumper selectable setting of 3V/7V per 1000 RPM and the MAX speed trimpot. A 3 volt per 1000 RPM OR 7 volt per 1000 RPM tachometer should be used.

P2-10 (PILOT LIGHT) - Connecting point for on-off neon indicator lamp. The remaining lead will be connected to P2-11.

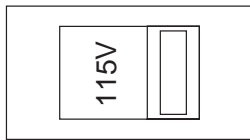
P2-11 (STOP) - Install one or more normally closed stop switches (in series) between STOP (P2-11) and COMMON (P2-12). Not active on "C" version.

P2-12 (COMMON) - Mid point of Start-Stop switches. Not active on "C" version.

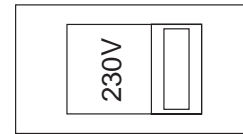
P2-13 (START) - Install one or more normally open start switches (in parallel) between START (P2-13) and COMMON (P2-12). Not active on "C" version.

SETTING INPUT VAC

For use with 110 through 130 VAC inputs, slide 115/230 VAC input voltage selector switch completely to the left as shown below left. For use with 208 through 240 VAC inputs, slide the same selector switch completely to the right as shown below right.



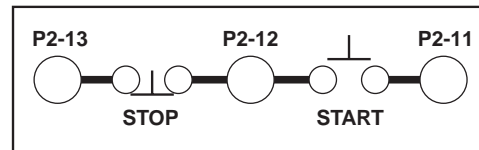
Note:
An incorrect setting of the input VAC selector switch will result in damage to the controller.



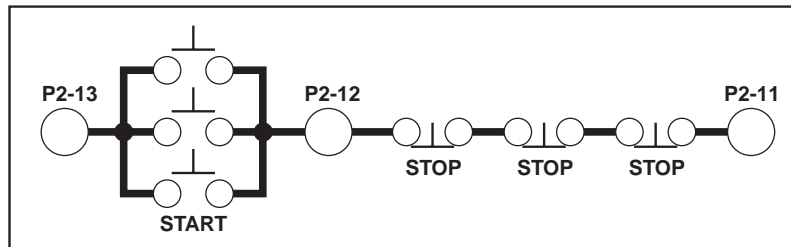
SWITCH LADDER CIRCUIT DIAGRAMS



START-STOP WIRING

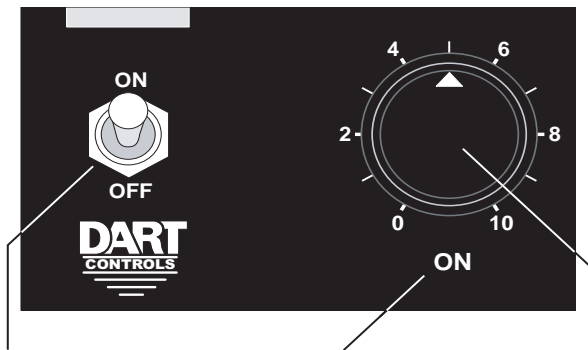


START-STOP WIRING (WITH 3 STATIONS)



Warning:
This diagram is for "RC" and "RE" versions ONLY! DO NOT use on "C" version.

"RE" CONTROL PANEL IDENTIFICATION



START-STOP SWITCH
MOMENTARY SWITCH TURNS CONTROL ON AND OFF

POWER ON INDICATOR
HIDDEN LED INDICATOR LAMP

SPEED POTENTIOMETER
5000Ω & 2W SPEEDPOT
CONTROLS MOTOR SPEED

INITIAL START UP

1. **Check** to see that the **115/230 VAC selection switch is set for the desired input voltage.**
2. Recheck all wiring. Accidental grounds, loose or pinched wires on armature or speed potentiometer wires may damage the control when power is applied.
3. See "ADJUSTMENT PROCEDURE" and observe the WARNINGS pertaining to cover removal for adjustments.
4. Preset trimpots for your horsepower by using the "TRIMPOT CHART". NOTE: Options may change the trimpot setting from this chart. If your control has an option, be sure to carefully read the section in "OPTIONS" that pertains to your option.
5. Turn speed potentiometer to zero (fully CCW).
6. Turn power on and advance speedpot while observing motor.
7. If motor rotation is incorrect, turn power off at external disconnect and reverse the +ARM and -ARM connections.
8. If operation is satisfactory, no re-adjustments are needed.
9. If instability or surging is observed, or if maximum speed is higher than desired, proceed to "ADJUSTMENT PROCEDURE".
10. For other problems, see section "IN CASE OF DIFFICULTY".

WARNING:

WHEN MAKING AN ADJUSTMENT, ALWAYS USE A SCREWDRIVER WITH AN INSULATED SHAFT TO AVOID THE SHORT CIRCUITING OF PC BOARD COMPONENTS. WHENEVER THE CONTROL COVER IS REMOVED, IT MUST BE SUPPORTED TO AVOID ACCIDENTAL CONTACT BETWEEN CONTROL CHASSIS AND LIVE COVER COMPONENTS.

TRIMPOT ADJUSTMENT PROCEDURE

Four adjustments (MIN., MAX., I.R. COMP., and CUR. LIM.) are checked at the factory using a typical motor. Use the "TRIMPOT CHART" to adjust the trimpots to the approximate setting for your horsepower. The other two adjustments (ACCEL and DECEL), are the Acceleration and Deceleration adjustments and should be set for your particular application requirements. The "TRIMPOT CHART" is approximate and is valid when using a speedpot or a 0 to 12VDC input signal to control the speed. Operation of the control beyond $\pm 10\%$ of normal line voltage is not recommended and could result in readjustments. These settings are permanent; periodic readjustment is normally not needed. (NOTE: Use only an ungrounded voltmeter).

MAX. Sets maximum motor speed when speedpot is at 100% CW rotation. Clockwise rotation increases maximum motor speed.

- 1) Turn drive power OFF!
- 2) Connect a DC voltmeter; plus to +ARM and minus to -ARM.
- 3) Set meter voltage range for either 90 VDC or 180 VDC.
- 4) With no load on the motor, adjust the MAX trimpot to the rated armature voltage as seen on the meter.

NOTE: A tachometer or strobe may be used in place of a meter. Follow the above steps, but adjust the MAX trimpot to the rated motor base speed, indicated by tach or strobe.

MIN. Sets minimum motor voltage when Speedpot is set at zero. Clockwise rotation of the MIN. trimpot will increase the minimum motor voltage.

- 1) Set Speedpot to zero (fully CCW).
- 2) With no load on the motor, adjust the MIN trimpot clockwise until the motor starts to rotate.
- 3) Slowly back off the trimpot in the CCW direction until the motor stops.

NOTE: If motor rotation is desired at zero Speedpot setting, adjust the MIN trimpot clockwise until the desired minimum speed is reached.

I.R. COMP. Provides a means of improving speed regulation in the armature feedback mode. If a change in motor speed during a load change is of no concern, rotate this trimpot fully CCW.

- 1) Set speedpot at 50%.
- 2) Observe motor speed during a no load condition.
- 3) Apply a full load to the motor.
- 4) Adjust the I.R. COMP. trimpot clockwise (while the load is applied) until the no load motor speed is obtained.

CUR. LIM. Limits DC motor armature current (torque) to prevent damage to the motor or control. The current limit is set for 125% of the rated motor current. Clockwise rotation of this trimpot increases the armature current (or torque produced).

- 1) Turn drive power OFF!
- 2) Connect a DC Ammeter in series with the +ARM line (between +A on motor and +ARM on the control). Preset the current limit trimpot CCW.
- 3) Turn power on and set speedpot to 50%.
- 4) Increase the motor load until the motor stalls (zero RPM).
- 5) Set CUR. LIM. trimpot by adjusting CW to 125% of the rated motor armature current (see "TRIMPOT CHART").

ACCEL Allows adjustment of acceleration by user.

- 1) Clockwise trimpot rotation increases length of acceleration time needed for the control to reach full speed.

DECEL Allows adjustment of deceleration by user.

- 1) Clockwise trimpot rotation increases length of deceleration time needed for the control to reach zero speed.

TRIMPOT SETTING CHART

MIN	ACCEL	DECEL	MAX	I.R.	CUR LIM	HP	VOLTS	MIN	ACCEL	DECEL	MAX	I.R.	CUR LIM	HP	VOLTS
						1/8	115							1/4	230
						1/6	115							1/3	230
						1/4	115							1/2	230
						1/3	115							3/4	230
						1/2	115							1.0	230
						3/4	115							1.5	230
						1.0	115							2.0	230
						1.5	115							3.0	230

NOTES: These settings apply when using a 5000Ω speedpot. This chart cannot be used with certain Options (refer to Option section)

1.5 and 3.0 HORSEPOWER - MODEL 533BC

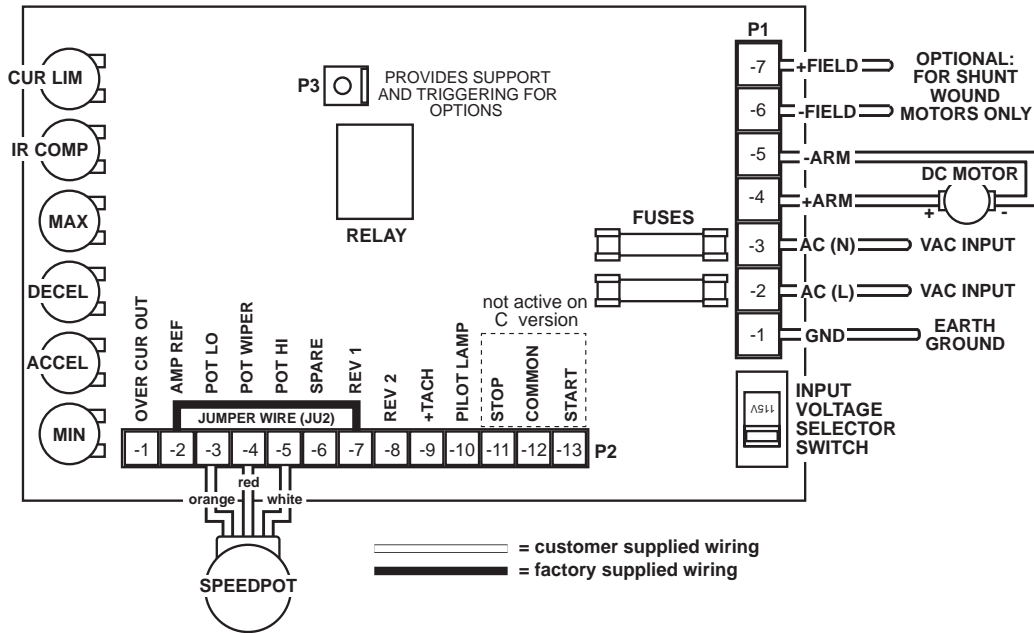
For 1.5 and 3.0 horsepower applications, the model 533BC control has the following restrictions:

- Available in chassis (C) mount only.
- The 1.5 horsepower model is available in 115 VAC input at 0-90 VDC out, while the 3.0 horsepower model is available in 230 VAC input at 0-180 VDC out.
- Relay, start-stop, reversing, dynamic braking & jogging are not available from factory (they are customer supplied and wired).
- The isolation boards (-5 and -7 options) are available.

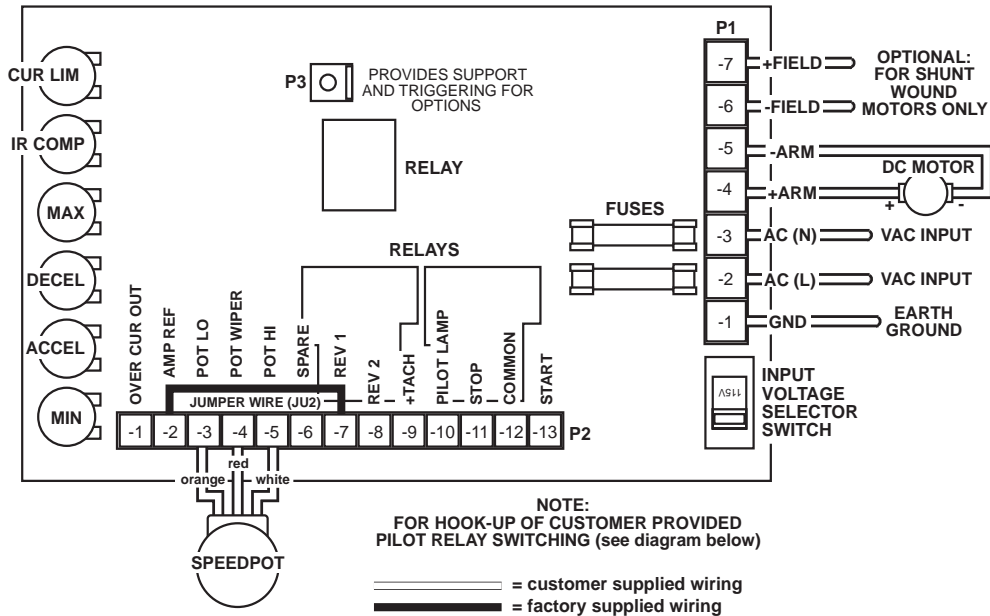
BASIC HOOK-UP DIAGRAMS WITHOUT OPTIONS

(If options are included on your control, see the option section of this manual).

Model 530BC and 533BC ("C Version")

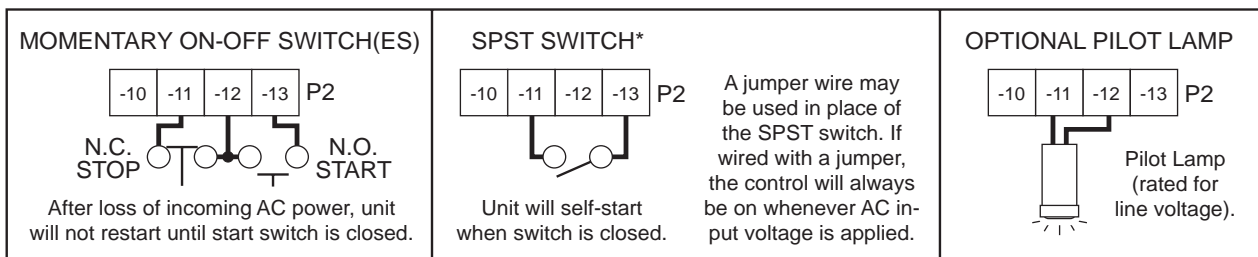


Model 530BRC ("RC Version")

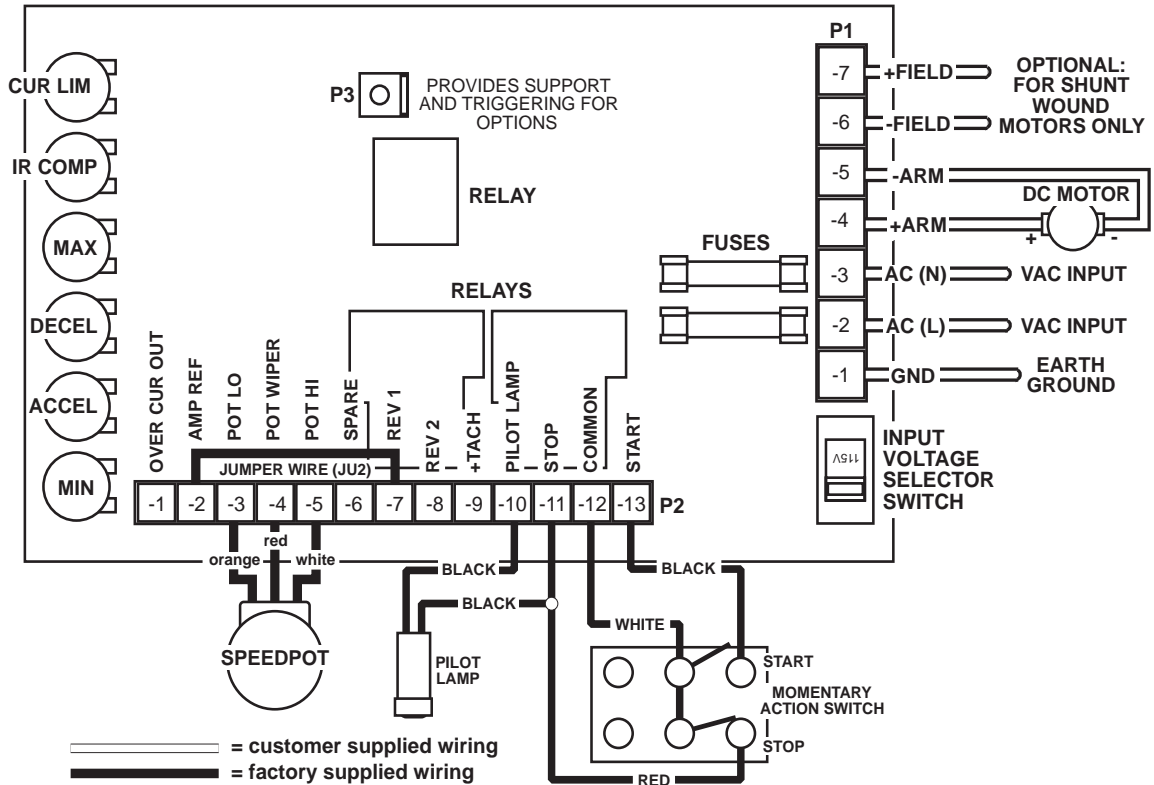


PILOT RELAY SWITCHING

(Customer supplied wiring for the "530BRC" version)



Model 530BRE ("RE Version")



JU2 JUMPER WIRE SELECTION CHART

NOTE: Jumper wires may be required on terminal strip P2 for the control to operate (refer to jumper chart below).

As explained in the "COMMONLY ASKED QUESTIONS" section, REV 1 (P2-7) and REV 2 (P2-8) are both stop inputs. One of these inputs must be held low to AMP REF (P2-2) for the control to operate. Jumpering is necessary between AMP REF and REV 1 or REV 2 to satisfy the "OR" gate. An option board may be installed on the control satisfying the "OR" gate. This jumper (between P2-2 and P2-7) is called JU2. For inhibiting with soft start and fast stop, the JU2 jumper may be replaced by a SPST switch.

YES = JUMPER REQUIRED

NO = JUMPER NOT USED

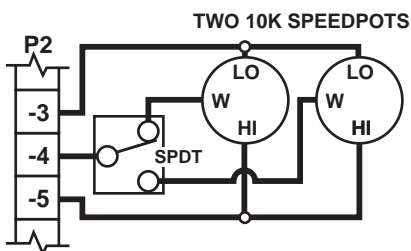
OPTION	DESCRIPTION	PAGE #	JUMPER	"C"	"RC"	"RE"
NONE	STOCK CONTROL	9-10	JU2	YES	YES	YES
-4	JOG	11	JU2	YES	YES	YES
-5/-7	CURRENT FOLLOWER	12-13	JU2	YES	YES	YES
-36M/-38M	FWD / REV with ZERO SPEED and D.B.R.	14-15	JU2	NO	NO	NO

NOTE: Installing JU2 jumper when not required may cause permanent damage to control.

CONTROL MODIFICATIONS

TWO SPEED OPERATION

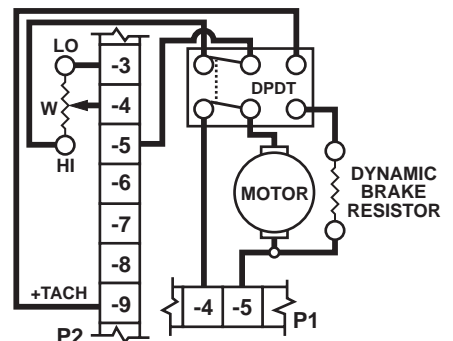
Two pot operation is done using two 10KΩ speed potentiometers in parallel (both HI's to P2-5, both LO's to P2-3). The WIPER is switched using a SPDT switch.



DYNAMIC BRAKING

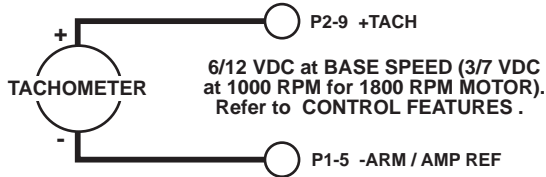
A DPDT switch is used to inhibit the control and to connect the DBR. Typical values for the DBR (dynamic brake resistor) are 5 for 115V, 10 for 230V (both 35Ω to 50Ω). Note that motor horsepower, inertia, and cycle time effect sizing of the DBR.

NOTE: On -15A Option, Decel must be fully CCW to use with DBR.



TACHOMETER FEEDBACK

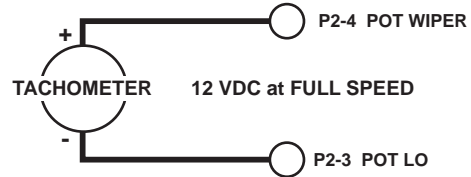
Improves speed regulation to $-1/2\%$ of base speed.



NOTE: NEED 1% OR LESS - TACH OUTPUT RIPPLE

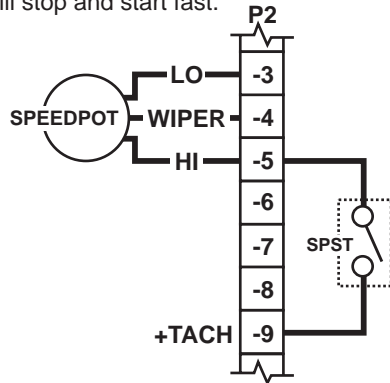
TACHOMETER FOLLOWER

Allows control output to follow tachometer voltage.



INHIBIT (USED INDEPENDENTLY)

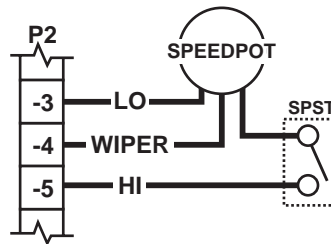
The customer supplied SPST switch is connected in series between the speedpot HI (P2-5) and the +TACH terminal (P2-9). To inhibit, speedpot HI is closed to the +TACH terminal. To restart, the switch is returned to open. NOTE: The control will stop and start fast.



NOTE: Permits starting and stopping of motor without breaking AC lines. In the event of SCR failure or false triggering, the Inhibit circuit will not stop motor.

INHIBIT (USED WITH SPEEDPOT)

The customer supplied SPST switch is connected in series between the speedpot HI terminal (P2-5) and speedpot HI. To inhibit, the SPST switch contacts are opened. To restart, the switch is returned to the closed position. NOTE: The control will soft stop and soft start through the acceleration setting.



Always use a shielded wire when connecting to the inhibit terminal. The shield should be connected to the -Armature or Common of the control.

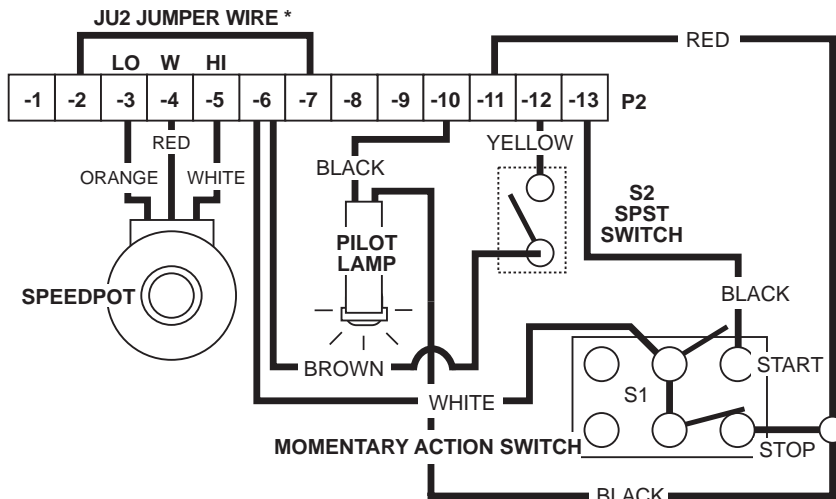
OPTIONS

NOTE: All options are specified by a suffix to the model number. This suffix starts with a dash (-). The more popular options are described on the following pages. When a combination of two or more of these options are used, the wiring procedure is beyond the scope of this manual. Please contact your Distributor or Representative.

-4 Option Jog

See below for installation and availability

This option is factory installed on the "RE" version only. "S2" is located on the cover and disables the latch circuit of the power relay's, allowing the power switch to jog the drive. The "C" and "RC" versions use customer supplied switch and wiring, in addition the "C" version uses a customer supplied relay.



NOTES:

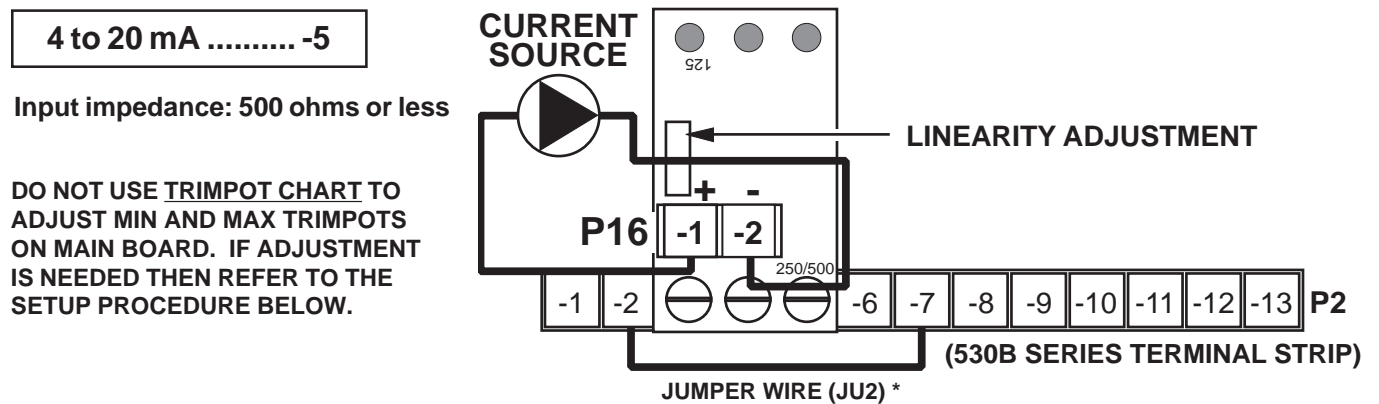
For "RE" version, S1, S2 and pilot lamp are FACTORY PROVIDED.

For "C" and "RC" versions, S1, S2, and pilot lamp are CUSTOMER PROVIDED.

* This jumper wire is not used with some other options. Consult factory if more than one option is being wired. Using JU2 jumper when not required may cause permanent damage to the control.

-5 Option Isolated 4-20 ma.Signal Follower

Available on "C" and "RC" models only
Factory or Field installed*



This option replaces the speedpot with a 4-20 ma. signal to control speed. The current signal input can be either grounded or ungrounded. The board sets on spacers screwed to terminals P1-3, P1-4, and P1-5 on the main board using long screws. The current source connects to the + and - two position terminal strip (P16-1 and -2) on the -5 option board.

The Linearity trimpot on the -5 option board is set at the factory for proper linearity, however this trimpot may need to be re-set after tuning the controls Max and Min trimpot settings for your specific application. If needed then refer to the setup procedure below.

Setting the Min, Max and Linearity Trimpots.

1. Preset the multi-turn Linearity trimpot on the -5 option board full CW, set the Min trimpot full CCW and set the Max trimpot at about 50% rotation.
2. Input a 4 ma. current signal to the control and turn the Min trimpot CW to your desired minimum output voltage or to deadband (the point just before you begin to get an output).
3. Input a 20 ma. current signal to the control and set the Max trimpot to the desired maximum speed setting.
4. With 20 ma. still going to the control, turn the Linearity trimpot CCW until your output speed starts to decrease. Then slowly turn it back CW until you just reach your maximum speed setting.

For enclosed models use -7 option.

*** Note:** This jumper wire is not used with some options. Consult factory if more than one option is being wired. Using the JU2 jumper wire when not required may cause permanent damage to the control.

-7 Option
Isolated 4-20 ma. Signal Follower
with Auto / Manual Switch

Factory or Field installed Chassis unit
Factory only on Enclosed models
Available on all models

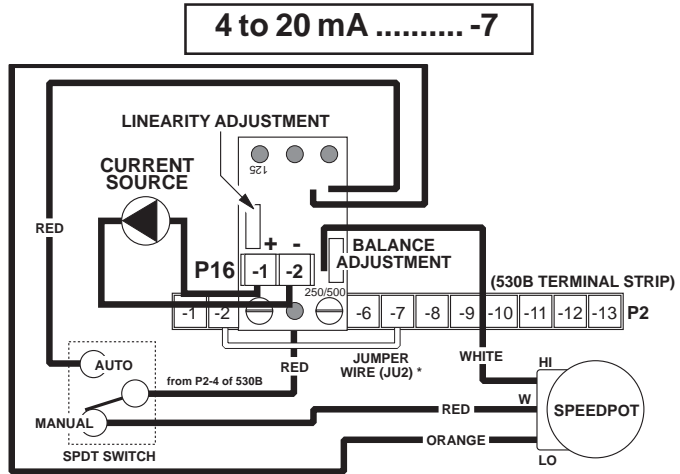
Input impedance equals 500Ω or less

DO NOT USE TRIMPOT CHART TO ADJUST MIN AND MAX TRIMPOTS ON MAIN BOARD. IF ADJUSTMENT IS NEEDED THEN REFER TO THE SETUP PROCEDURE BELOW.

This option allows the control to be run in either the Manual mode via a speed pot or the Auto mode via the 4-20 ma. signal. The current signal input can be either grounded or ungrounded. The board sets on spacers screwed to terminals P1-3, P1-4, and P1-5 on the main board using long screws. The current source connects to the + and - two position terminal strip (P16-1 and -2) on the -7 option board.

This option includes a Balance trimpot which is used to scale the maximum speed in the manual mode. It is factory set so the maximum speed in manual equals the maximum speed in automatic.

The Linearity trimpot on the -7 option board is set at the factory for proper linearity, however this trimpot may need to be re-set after tuning the Max and Min trimpot settings on the control or if the Balance trimpot on the -7 must be reset for your specific application. If needed then refer to the setup procedure below.



Setting the Min, Max, Balance and Linearity Trimpots.

1. Preset the multi-turn Linearity trimpot and the Balance trimpot on the -7 option board full CW, set the Min trimpot full CCW and set the Max trimpot at about 50% rotation.
2. Input a 4 ma. current signal to the control and turn the Min trimpot CW to your desired minimum output voltage or to deadband (the point just before you begin to get an output).
3. Input a 20 ma. current signal to the control and set the Max trimpot to the desired maximum speed setting.
4. Switch the control to the Manual mode setting and adjust the Balance trimpot CCW as needed to attain your required manual mode maximum output speed. (Adjustable from 50 to 100% of maximum Auto mode setting)
5. Switch the control back to Auto mode. With 20 ma. still going to the control, turn the Linearity trimpot CCW until your output speed starts to decrease. Then slowly turn it back CW until you just reach your maximum speed setting.

* **Note:** This jumper wire is not used with some options. Consult factory if more than one option is being wired. Using the JU2 jumper wire when not required may cause permanent damage to the control.

-11 Option
Ten Turn Speedpot

Field installed - ordered as separate item
Available on "C" and "RC" models only

Provides for a finer control of speed. Installation is the same as the standard speedpot.

-15A Option
Extended Accel / Decel

Factory installed
Available on all models

Extends acceleration / deceleration to 30 seconds (linear ramp).

-36M / -38M Option

Forward / Reverse with Zero Speed
Detect and Dynamic Brake

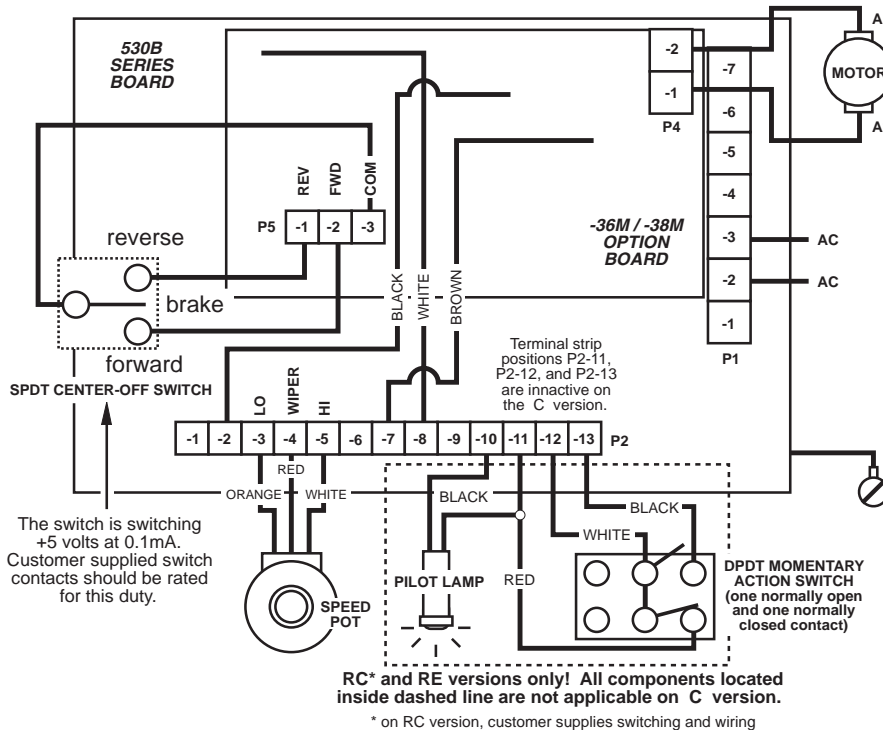
Factory or Field installed - see below
Available on all models except 3 H.P.

Option	AC Input	Installed	DBR Value	DBR location / placement
-36M	115VAC	factory or field	5Ω 30W	option board mounted
-36MA	115VAC	factory only	5Ω 50W	extrusion mounted
-38M	230VAC	factory or field	10Ω 30W	option board mounted
-38MA	230VAC	factory only	10Ω 50W	extrusion mounted

Warning: The addition of this option no longer allows for dual voltage operation of the 530B series board. The 115/230 VAC input selector switch (530B series board) must be set for the proper VAC input rating of the -36M/-38M option being used.

-36M / -38M HOOK-UP USING SPDT SWITCH OR CONTACT

NOTE:
INPUTS TO TERMINAL STRIP P5 CANNOT BE REFERENCED TO EARTH GROUND!



The -36M / -38M option automatically "brakes" to zero speed before reversing. The SPDT center-off switch is used to select direction. When the direction is reversed, relays K1, K2, and K3 connect the dynamic brake resistor to the armature. The motor "brakes" and at zero speed the relays reverse the armature leads, causing the motor to rotate in the opposite direction. When the switch is in the center (STOP) position, the motor armature is connected to the dynamic brake resistor.

Notes: The start-stop switch is customer provided on the "RC" version (see Hook-up Diagrams for switch wiring). The "RE" version requires a special cover that must be ordered for field installed -36M or -38M options. The Dynamic Brake Resistor is mounted accordingly per model (see above chart for placement).

VERY IMPORTANT:
DO NOT USE JU2 JUMPER WIRE with this option. WHEN RETROFITTING, JU2 JUMPER MUST BE REMOVED!!

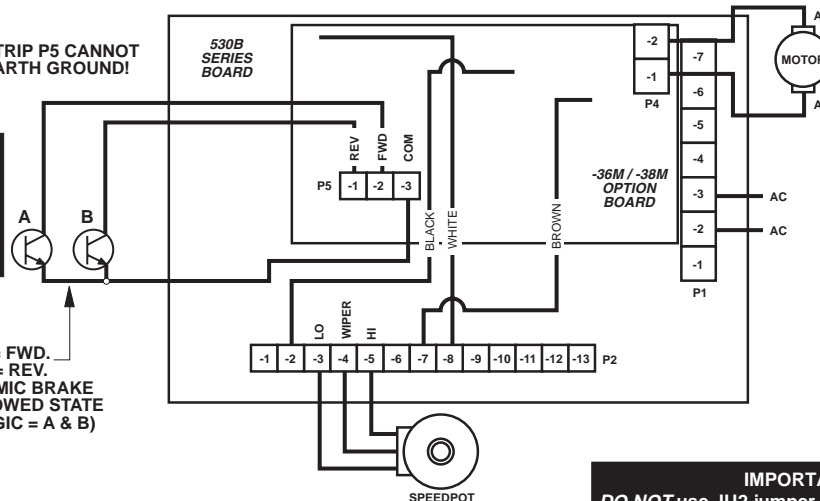
To identify JU2 jumper location, see "Basic Hook-up Diagrams Without Options".

-36M / -38M HOOK-UP FOR NPN OPEN COLLECTOR DIRECTIONAL CONTROL

NOTE:
INPUTS TO TERMINAL STRIP P5 CANNOT BE REFERENCED TO EARTH GROUND!

Warning:
The addition of this option no longer allows for dual voltage operation of the 530B series board. The 115/230 VAC input selector switch (530B series board) must be set for the proper VAC input rating of the -36M/-38M option being used.

TRANSISTOR "A" ON = FWD.
TRANSISTOR "B" ON = REV.
BOTH "A & B" OFF = DYNAMIC BRAKE
BOTH "A & B" ON = DISALLOWED STATE
(CUSTOMER SUPPLIED LOGIC = A & B)



To identify JU2 jumper location, see "Basic Hook-up Diagrams Without Options".

IMPORTANT:
DO NOT use JU2 jumper wire with this option. When retrofitting, JU2 must be removed.

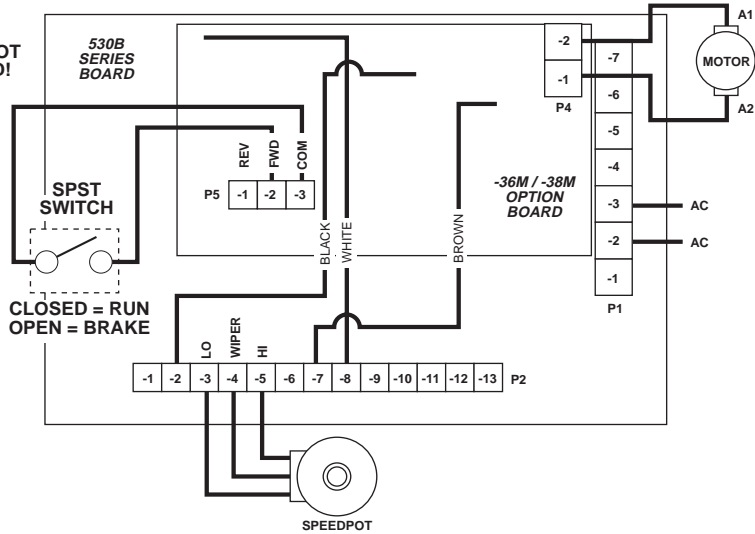
-36M / -38M HOOK-UP FOR UNIDIRECTIONAL RUN / DYNAMIC BRAKE

NOTE:
INPUTS TO TERMINAL STRIP P5 CANNOT BE REFERENCED TO EARTH GROUND!

Warning:
The addition of this option no longer allows for dual voltage operation of the 530B series board. The 115/230 VAC input selector switch (530B series board) must be set for the proper VAC input rating of the -36M/-38M option being used.

IMPORTANT:
DO NOT use JU2 jumper wire with this option. When retrofitting, JU2 must be removed.

To identify JU2 jumper location, see "Basic Hook-up Diagrams Without Options".



IN CASE OF DIFFICULTY

PROBLEM	POSSIBLE CAUSE(S)	CORRECTIVE ACTION(S)
Motor doesn't operate	Blown fuse Incorrect or no power source Speedpot set at zero Worn motor brushes Improper or missing jumpers	Replace fuse Install proper service Adjust speedpot CW to start Replace motor brushes See "JU2 Jumper Wire Selection Chart"
Armature output voltage cannot be adjusted, output is a constant DC level	No motor or load connected Speedpot low connection open	Check that the motor or load is connected to Armature terminals Check that speedpot low wire is connected
Motor stalls or runs very slowly with speed control turned fully CW	Low voltage Overload condition Worn motor brushes Max. speed set incorrectly	Should be above 104V or 208V Reduce load or re-adjust Current Limit Replace motor brushes See "Adjustment Procedure"
Motor hunts	Too much IR Comp Motor is in Current Limit Motor speed is above rated speed	See "Adjustment Procedure" See "Adjustment Procedure" Reduce Max trimpot setting
Repeated fuse blowing	Overload condition Worn motor brushes Defective motor Failed electrical components	Reduce load Relace motor brushes Replace motor Return for repair
Motor runs but will not stop	Incorrect wiring Defective wiring Failed component	Check "Terminal Strip Wiring" sections Check wiring Return for repair

After using this section, if control will still not operate, consult your Dart Distributor or Representative or return unit for repair.

FUSING

The motor and control are protected against overloads by the current limit circuit. Additional protection is provided through 2 fuses, which are mounted on the main board. Use exact fuse replacements if the fuse requires changing. Before changing fuses, be sure the power to the control is disconnected at the power source. Note: Both sides of VAC input are fused.

HP: 1/8 - 2.0 H.P.	FUSE SIZE: 20 Amp	FUSE TYPE: Bussman ABC-20 or Little Fuse 314020
HP: 3.0 H.P.	FUSE SIZE: 20 Amp	FUSE TYPE: Bussman ABC-20 or Little Fuse 314020

SPECIFICATIONS

AC INPUT VOLTAGE ±10% of rated line voltage
 ALTITUDE Up to 7,500 feet above sea level
 CONTROL OVERLOAD CAPACITY 200% for 1 minute
 DIMENSIONS & WEIGHTS:

	WIDTH	LENGTH	DEPTH	WEIGHT	TYPE
ENGLISH	6.70"	9.00"	2.25"	40 oz.	C
	6.70"	9.00"	2.25"	41 oz.	RC
	6.70"	10.00"	4.75"	56 oz.	RE
METRIC	171 mm	229 mm	51 mm	1134 gm.	C
	171 mm	229 mm	57 mm	1162 gm.	RC
	171 mm	254 mm	121 mm	1422 gm.	RE

DRIVE SERVICE FACTOR 1.0
 EFFICIENCY 85% typical
 ELECTRICAL SPECIFICATIONS - TYPICAL CURRENT & HORSEPOWER RANGES:

	115VAC INPUT / 0-90VDC OUTPUT		230VAC INPUT / 0-180VDC OUTPUT	
H.P.	MAX AC AMPS	MAX ARM AMPS	MAX AC AMPS	MAX ARM AMPS
1/8	1.80	1.40	-----	-----
1/6	2.60	2.10	-----	-----
1/4	3.50	2.70	1.80	1.40
1/3	4.40	3.40	2.20	1.70
1/2	6.50	5.00	3.30	2.50
3/4	9.30	7.20	4.80	3.70
1.0	13.20	10.20	6.50	5.00
1.5	21.50	14.70	9.70	7.50
2.0	-----	-----	12.90	9.90
3.0	-----	-----	22.00	15.00

FUSE PROTECTION 2 AC line fuses (see "Fusing")
 HUMIDITY 99% non-condensing
 INPUT FREQUENCY 50 or 60 Hertz
 MAXIMUM ARMATURE CURRENT - CONTINUOUS 10 ADC (2 H.P.); 15 ADC (3 H.P.)
 PILOT LAMP ("RE" VERSION) Neon
 POWER DEVICES Packaged full wave bridge
 SHUNT FIELD VOLTAGE 100VDC for 115VAC in; 200VDC for 230VAC in; (1.0 A max. - 530B; 1.5 A max. - 533B)
 SPEED CONTROL Via 5KΩ Potentiometer OR 0 to +10 VDC isolated signal
 SPEED RANGE 50:1
 SPEED REGULATION ±1% of base speed
 TACHOMETER FEEDBACK jumper selectable 3V or 7V per 1000 RPM
 TEMPERATURE RANGE -10° to 45° C. ambient (15° to 115° F.)
 TRANSIENT VOLTAGE PROTECTION G-Mov
 TRIMPOTS:

ACCELERATION RANGE 0.3 to 12 seconds - adjustable
 CURRENT LIMIT RANGE 1 to 20 Amps (1/8 to 2 H.P.)
 2 to 30 Amps (1.5 and 3 H.P.)
 DECELERATION RANGE 0.6 to 12 seconds - adjustable
 I.R. COMPENSATION RANGE 1/8 through 2.0 h.p. (530B controls)
 1.5 and 3.0 h.p. (533B control)
 MAXIMUM SPEED RANGE 60% to 120% of base speed
 MINIMUM SPEED RANGE 0 to 30% of maximum speed
 TYPE RAMP OF ACCEL / DECEL Linear

530B SERIES PARTS PLACEMENT & LIST

RESISTORS

R1	220K
R2	5K TRIM (MIN)
R3	47K
R4	300K
R5	10K
R6	4.7K
R7	250K TRIM (ACCEL)
R8	1K
R9	27K
R10	4.7K
R11	250K TRIM (DECEL)
R12	1K
R13	47K
R14	4.7K
R15	47Ω 1/2W
R16	91K 1/2W
R17	180K 1/2W
R18	470Ω
R19	47K
R20	6.8K
R21	300K
R22	1K
R23	47K
R24	470K
R25	10K
R26	680K
R27	22K
R28	2.2K
R29	1K
R30	220K
R31	390Ω
R32	390Ω
R33	39K
R34	1K TRIM (CUR)
R35	2.2K
R36	470Ω
R37	50K TRIM (MAX)
R38	100Ω TRIM (I.R.)
R39	.SEE BELOW
R40	100K
R41	SEE BELOW
R42	33K
R43	100K

ACTIVE DEVICES

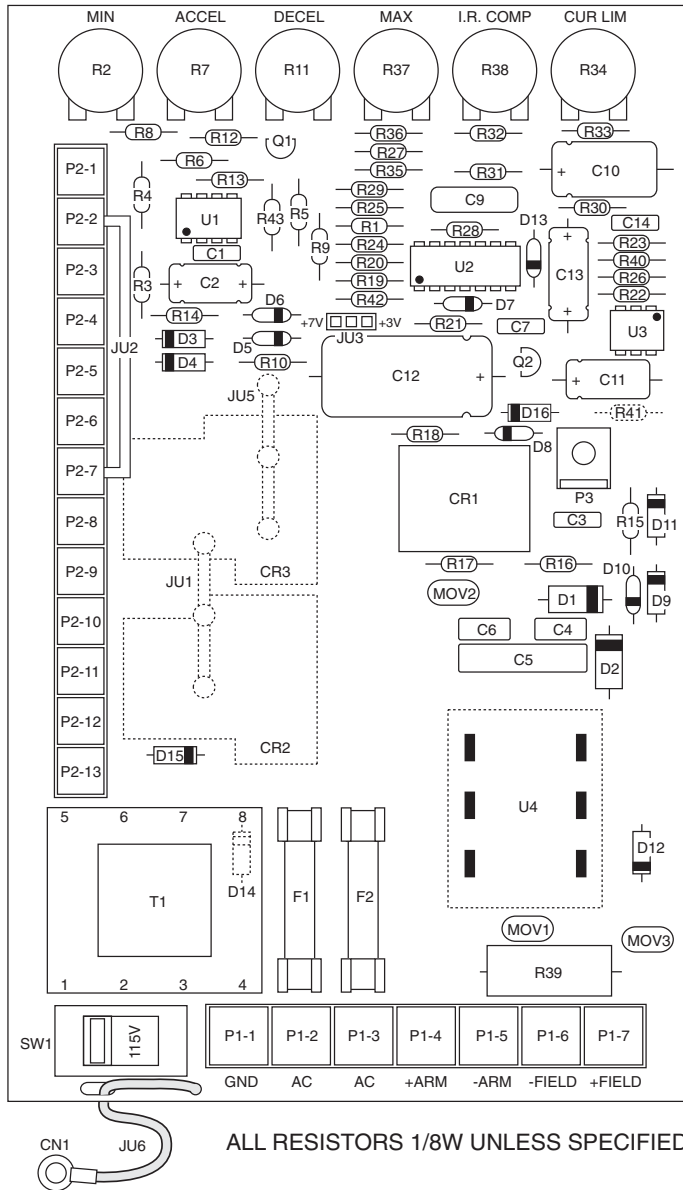
Q1	2N4124
Q2	LM78L12 REG.
U1	LM358 IC
U2	LM324 IC
U3	3052 MOC
U4	L512F BRIDGE

CAPACITORS

C1	.01μF 63V
C2	1μF 50V N.P.
C3	.01μF 400V
C4	.01μF 400V
C5	.068μF 250VAC
C6	.01μF 400V
C7	.01μF 63V
C8	NOT USED
C9	.22μF 250V
C10	150μF 16V
C11	47μF 16V
C12	470μF 50V
C13	1μF 50V N.P.
C14	.1μF 63V

DIODES

D1	S6A4
D2	S6A4
D3	1N4005
D4	1N4005
D5	1N914B
D6	1N5233B
D7	1N914B
D8	1N5242B
D9	1N4005
D10	1N5233B
D11	1N4005
D12	1N4005
D13	1N914B
D14	1N4005
D15	1N4005
D16	1N4005



MISCELLANEOUS

CN1	CT60R16USB CONNECTOR	JU6	WC16GN3.5 WIRE
CR1	T73 RELAY	MOV1	275V G-MOV
CR2	SEE BELOW	MOV2	275V G-MOV
CR3	SEE BELOW	MOV3	275V G-MOV
F1	20A FUSE	PCB	A-4-2563C PRINTED CIRCUIT
F2	20A FUSE	P1	7 POS. TERMINAL STRIP
JU1	SEE BELOW	P2	13 POS. TERMINAL STRIP
JU2	WC16WH2.5SL JUMPER WIRE (SEE MANUAL "JUMPER WIRES")	P3	1/4" MALE SPADE PIN
JU3	3 POS. MALE CONN. W/JUMPER	SW1	115/230VAC SWITCH (DPDT)
JU5	SEE BELOW	T1	DST428 TRANSFORMER

-15A OPTION CHANGES

R13	180K
-----	------

530BC CHANGES:

CR2	NOT USED
CR3	NOT USED
JU1	RLB2503S RAIL
JU5	RLB2503S RAIL
R39	.015Ω 5W
R41	1K 1/2W

530BRC CHANGES:

CR2	T9A RELAY
CR3	T9A RELAY
JU1	NOT USED
JU5	NOT USED
R39	.015Ω 5W
R41	NOT USED

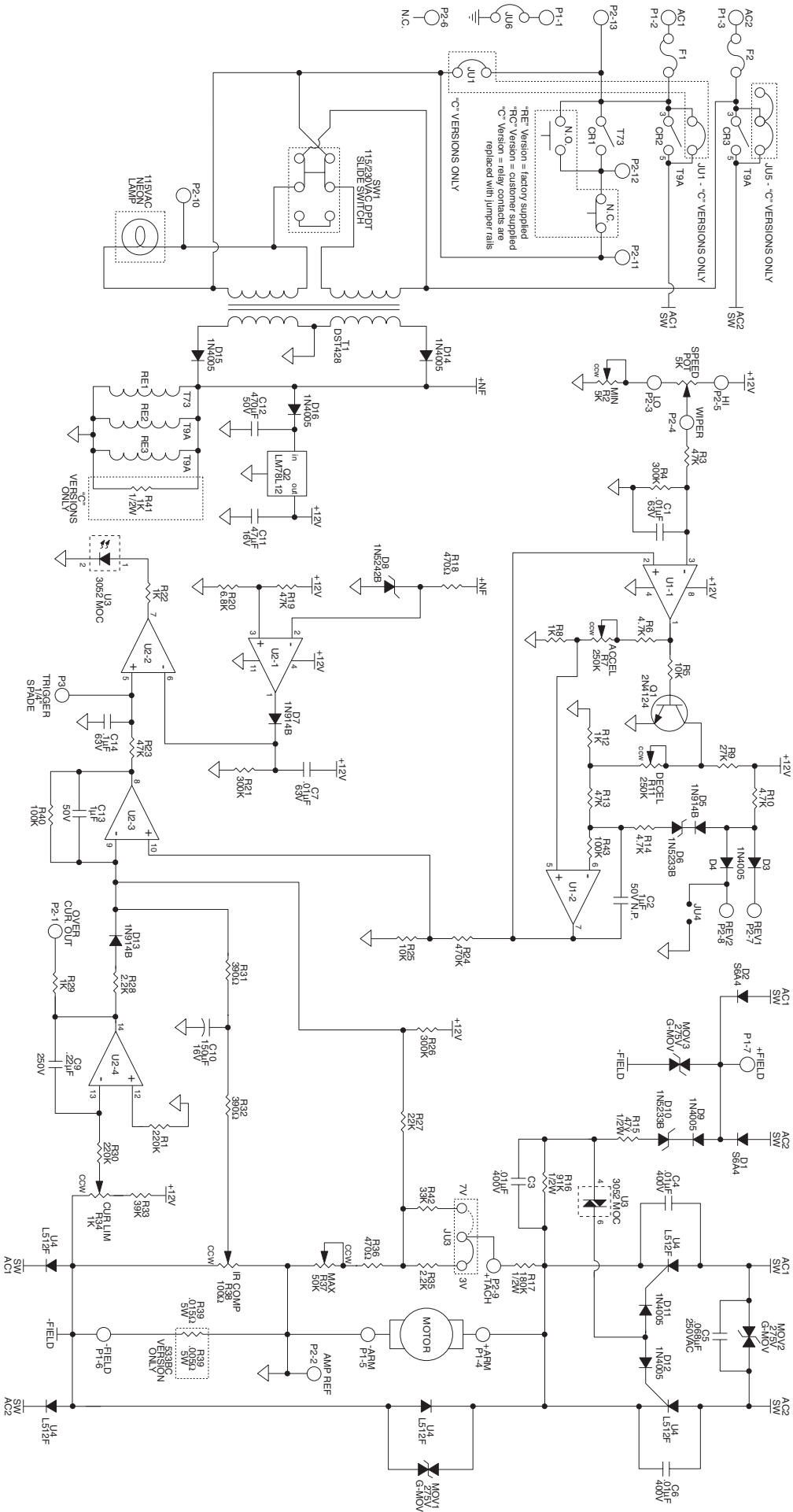
530BRE CHANGES:

CR2	T9A RELAY
CR3	T9A RELAY
JU1	NOT USED
JU5	NOT USED
R39	.015Ω 5W
R41	NOT USED

533BC CHANGES:

CR2	NOT USED
CR3	NOT USED
JU1	RLB2503S RAIL
JU5	RLB2503S RAIL
R39	.005Ω 5W
R41	1K 1/2W

530B SERIES SCHEMATIC



CONTENIDO

GARANTÍA	1
INTRODUCCION	2
PREGUNTAS FRECUENTES	2
SELECCION DE MODELO BASICO	2
CARACTERISTICAS DEL CONTROL	3
DIMENSIONES GENERALES DEL CONTROL	3-4
DIMENSIONES DE MONTAJE PARA EL POTENCIOMETRO DE VELOCIDAD	4
INSTRUCCIONES DE MONTAJE	4
PROCEDIMIENTO DE CABLEADO	4
CABLEADO DE REGLETAS DE TERMINALES-P1	5
CABLEADO DE REGLETAS DE TERMINALES-P2	5-6
GRADUACIÓN DE LA CORRIENTE DE ENTRADA, VCA	6
DIAGRAMAS DE CIRCUITO EN ESCALERA DEL INTERRUPTOR	6
IDENTIFICACION DEL TABLERO DE CONTROL “RE”	6
ARRANQUE INICIAL	7
PROCEDIMIENTO DE AJUSTE DELPOTENCIOMETRO	7-8
TABLA DE AJUSTE DEL POTENCIOMETRO	8
MODELO 533BC - DE 1.5 Y 3.0 HP	8
DIAGRAMAS DE CONEXION BASICA SIN OPCIONES	9-10
DIAGRAMAS DE CONEXION 530BC, 533BC Y 530BRC	9
CONMUTACIÓN DE RELÉ PILOTO	9
DIAGRAMA DE CONEXION 530BRE	10
TABLA DE SELECCIÓN DEL HILO DE PUENTE JU2	10
MODIFICACIONES DEL CONTROL	10-11
OPERACION DE DOS VELOCIDADES	10
FRENADO DINAMICO	10
RETROALIMENTACION DE TACOMETRO Y SEGUIDOR DE TACOMETRO	11
INSTRUCCIONES DE INHIBIR	11
OPCIONES	11-15
OPCION -4	11
OPCIONES -5	12
OPCIONES -7 / -11 / -15A	13
OPCIONES -36M / -38M	14-15
EN CASO DE DIFICULTAD	15
FUSIBLES	15
ESPECIFICACIONES	16
COLOCACIÓN Y LISTA DE PARTES DE LA SERIE 530B	17
DIBUJO ESQUEMÁTICO DE LA SERIE 530B	18

GARANTÍA

Dart Controls, Inc. (DCI) garantiza que sus productos están libres de defectos de materiales y mano de obra. El único derecho que otorga esta garantía es que la fábrica DCI reemplace cualquier parte o partes del producto que dentro del término de doce (12) meses a partir de la entrega del producto al comprador la parte o partes defectuosas sean devueltas a la fábrica de DCI con todos los costos de transporte prepagados, y las cuales DCI encuentre a su satisfacción que en realidad son defectuosas. Esta garantía no cubre los defectos en montaje por personas distintas a DCI, ni ningún artículo que haya sido reparado o alterado por personas distintas a DCI, ni cualquier artículo que DCI determine que ha sido usado en forma indebida. DCI no asume ninguna responsabilidad por las características de diseño de ninguna unidad o su operación en un circuito o ensamblaje. Esta garantía sustituye cualquier otra garantía expresa o implícita. Por lo tanto cualquier otra responsabilidad u obligación de parte de DCI, incluyendo daños consecuenciales quedan aquí expresamente excluidos.

NOTA: Revise cuidadosamente el control para detectar daños sufridos en el transporte. Avise inmediatamente de cualquier daño a la compañía transportadora. No trate de operar el drive si es evidente que ha sufrido daños en el circuito o en cualquiera de sus componentes electrónicos.

Toda la información contenida en este manual se considera correcta, sin embargo datos e información que aparecen en el manual están sujetos a cambio sin aviso previo. DCI no garantiza en ninguna forma esta información o datos. Más aún, DCI no es responsable por omisiones o errores o daños consecuenciales causados por el usuario del producto. DCI se reserva el derecho de hacer cambios de fabricación que pueden no estar incluidos en este manual.

ADVERTENCIA

La instalación u operación inadecuadas de este control pueden causar lesiones al personal o fallas de control. El control debe instalarse de acuerdo con los Códigos de Seguridad nacionales, estatales y locales. Asegúrese de que la corriente de alimentación está desconectada antes de tratar de dar mantenimiento al control o remover cualquiera de sus componentes!!! Si el punto de desconexión de la corriente no está a la vista, asegúrelo en posición desconectada y coloque un aviso para evitar una aplicación inesperada de la corriente. Únicamente electricistas calificados o personal de mantenimiento calificado deben realizar tareas de mantenimiento o reparaciones eléctricas. Nunca debe verificarse la continuidad de un circuito haciendo corto circuito en los terminales con un destornillador o herramienta metálica.

INTRODUCCION

Los modelos de la Serie 530B son unidades de motor de control de CD, versátiles, de voltaje dual y de alto rendimiento que ofrecen una amplia variedad de características avanzadas y muchas opciones que extienden sus capacidades. La Serie 530B opera con 1/8 a 1.0 caballo de fuerza con una entrada de 115 VCA, y 1/4 a 2.0 caballos de fuerza con una entrada de 230 VCA. Se ofrece un modelo de chasis únicamente para operar un motor de 1.5 HP y corriente de entrada de 115 VCA, o de 3.0 HP con corriente de entrada de 230 V CA. Consulte la guía de referencia "Selección del Modelo Básico".

La Serie 530B consiste en tres tipos básicos:

- C** = Montaje de chasis, sin caja, sin relé de potencia.
- RC** = Montaje de chasis, sin caja, con relés de potencia.
- RE** = Caja plástica con relés de potencia - estándar Nema 4/12.

La Serie 530B ha sido diseñada para motores de Magneto Permanente, de Arrollamiento en Derivación y para algunos de los motores Universal Series (AC/DC) en las categorías de caballaje que se indican arriba. La Serie 530B incorpora una protección de tensión transitoria con Límite de Corriente ajustable y fusibles AC para mayor protección. Las velocidades máximas y mínimas se pueden ajustar fácilmente mediante potenciómetros de ajuste, al igual que la compensación I.R. La aceleración y la desaceleración son completamente ajustables mediante los potenciómetros de ajuste individuales.

PREGUNTAS FRECUENTES

P. ¿Puedo operar dos motores con un mismo controlador?

R. No se recomienda. Los circuitos de Compensación (regulación) I.R. y de Límite de Corriente experimentarán dificultades detectando las diferentes cargas en cada motor.

P. ¿Puedo cambiar el caballaje de mi motor y seguir usando el mismo control?

R. Sí, siempre y cuando no se desvíe hacia afuera de la gama de caballaje para la tensión que utiliza. Los potenciómetros de ajuste necesitarían un ajuste; consulte la "Tabla de Potenciómetros de Ajuste" para los ajustes aproximados.

P. ¿Puedo utilizar la Serie 530B como Seguidor de Corriente?

R. Si, hay un campo instalable en las opciones -5 o -7 que se muestra en la sección "Opciones".

P. ¿Puedo usar la Serie 530B para la retroalimentación del Tacómetro?

R. Sí, consulte +Tach (P2-9) en la sección "Cableado de Regletas de Terminales - P2".

P. ¿Puedo utilizar Stop (parar) (P2-11), Start (arrancar) (P2-13) y Common (común) (P2-12) para parar-arrancar el control de la versión de chasis "C"?

R. No. Los terminales P2-11, P2-12 y P2-13 están activados solamente en las versiones de relé; "RE" y "RC". Estos terminales no son operables en la versión "C".

P. ¿Se puede utilizar la Serie 530B como Seguidor de Tensión o de Tacómetro?

A. Sí. La tensión debe ser subterránea y no debe sobrepasar +12 VDC (Consulte la sección "Cableado de Regletas de Terminales" para la conexión apropiada).

P. ¿Cómo puedo parar/arrancar las versiones de la Serie 530B con mi propio relé?

R. Puede utilizar el contacto de su relé en lugar del hilo de puente AMP REF a REV 1 (P2-2 a P2-7). Como esta es una señal de nivel bajo (12 voltios a 2mA), usted debe usar un relé de tipo lógico (preferentemente con contactos de oro). Esto no se puede hacer con los controles al usar algunas opciones. Consulte a su Representante Dart si instala alguna opción.

P. ¿Por qué se necesita un hilo de puente entre AMP REF (P2-2) y REV 1 (P2-7) en los controladores sin opciones?

R. REV 1 (P2-7) y REV 2 (P2-8) son dos entradas de paro idénticas. Una de éstas debe mantenerse baja (a Amp Ref P2-2) para que funcione el control. Si el controlador no tiene opciones, entonces se debe puentear para satisfacer los requisitos de la compuerta "OR". Este requisito se puede satisfacer con algunas opciones. Para estas opciones, se debe hacer una conexión hacia estos terminales. En vez de usar un hilo de puente, la opción se cablea a estos terminales. (Consulte la sección "Tabla de Selección del Hilos de Puente JU2").

SELECCION DE MODELO BASICO

ENTRADA 115/230 VCA	SALIDA 0-90/0-180 VCD	CAMPO 100/200 VCD	
GAMA DE HP ¹	CHASIS	CHASIS DE RELE	RELE CERRADO
1/8 - 2.0	530BC	530BRC	530BRE
ENTRADA 115/230 VCA	SALIDA 0-90/0-180 VCD	CAMPO 100/200 VCD	
GAMA DE HP ²	CHASIS	CHASIS DE RELE	RELE CERRADO
1.5 y 3.0	533BC	No está disponible	No está disponible

Notas:

- 1) La unidad de 1/8 - 1.0 HP usa corriente de entrada de 115 VCA, corriente de salida 0-90 VCD y campo de 100 VCD; la de 1/4 - 2.0 HP usa corriente de entrada de 230 VCA, de salida de 0-180 VCD y campo de 200 VCD.
- 2) La unidad de 1.5 HP usa corriente de entrada de 115 VCA, de salida de 0-90 VCD y campo de 100 VCD; la de 3.0 HP usa corriente de entrada de 230V CA, de salida de 0-180 VCD y campo de 200 VCD.

CARACTERISTICAS DE CONTROL

INTERRUPTOR DE SELECCION DEL VOLTAJE DE ENTRADA - Interruptor que escoge entre corrientes de entrada 115 VCA y 230 VCA.

MIN SPEED - (Velocidad mínima) Permite el ajuste de la velocidad del motor cuando el potenciómetro de ajuste está al mínimo. Esto hace que el usuario elimine la "Banda Muerta" en el control principal de velocidad, permitiendo la calibración a cero. El giro del "trimpot" "MIN" en la dirección de las agujas del reloj aumenta el voltaje de salida de CD

ACCEL - (Aceleración) Permite el ajuste del motor desde un mínimo de 0.3 segundos hasta un máximo de 12 segundos. La opción -15A extiende el tiempo máximo de aceleración a 30 segundos.

DECEL - (Desaceleración) Permite el ajuste de la desaceleración del motor desde un mínimo de 0.3 segundos hasta un máximo de 12 segundos. La opción -15A extiende el tiempo máximo de desaceleración a 30 segundos.

MAX SPEED - (Velocidad máxima) Permite el ajuste de la velocidad del motor cuando el potenciómetro de velocidad está ajustado al máximo (en dirección de las agujas del reloj). Esto permite que el usuario elimine la "Banda Muerta" del potenciómetro de velocidad, suministrando toda la velocidad disponible en la rotación máxima. La rotación del potenciómetro de ajuste "MAX" en dirección contraria a las agujas del reloj aumenta la máxima voltaje de salida de CD.

I.R. COMP - (Regulación de velocidad) Permite realizar los ajustes del sistema de circuitos que controla la regulación de la velocidad del motor. Esta característica controla la velocidad del inducido al cambiar la tensión del mismo para compensar el aumento o disminución de la carga del motor. El giro del "trimpot" "I.R. COMP" en la dirección de las agujas del reloj aumenta la compensación de la ganancia.

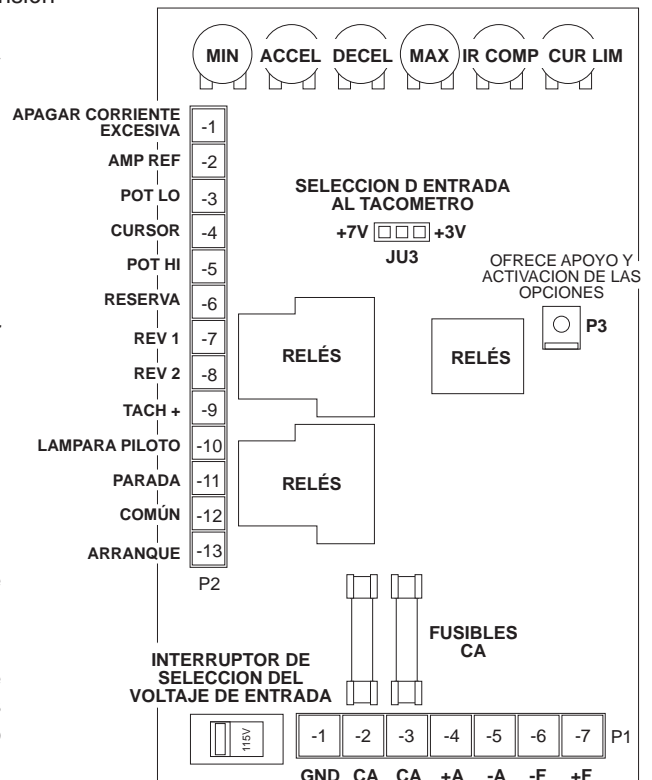
CUR. LIM. - (Límite de corriente) Suministra protección contra el exceso de corriente del inducido al limitar la corriente máxima del mismo que puede suministrar el control. Esto permite ajustar la torsión máxima que puede generar el motor. Ajuste el Límite de Corriente (CUR. LIM.) al 125% con relación a la corriente clasificada del motor. La rotación en dirección de las agujas del reloj del potenciómetro de ajuste "CUR. LIM" aumenta la torsión (corriente) que suministra el control.

SELECCION DE ENTRADA AL TACOMETRO - Está fijada en fábrica a 3V por 1000 RPM, con un puente (JU3) que permite cambiarla a 7V por 1000 RPM. Para mayor información consulte "Realimentación del Tacómetro" en la sección de "Modificaciones del Control"

REGLETA DE TERMINALES P1 - Terminal tipo barrera que permite la conexión de las líneas CA, cables del motor, campo del motor (si es necesario) y la puesta a tierra.

REGLETA DE TERMINALES P2 - Terminal tipo barrera que permite la conexión del potenciómetro de velocidad y cualquier accesorio y/o hilos de puente que regulan el dispositivo de control.

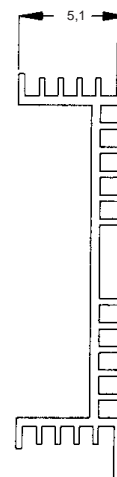
RELE - (Relés de Interrupción de Corriente) Disponible solamente en las versiones "RC" y "RE", los relés permite encender y apagar el suministro de corriente CA con una señal de corriente baja. Para la versión "RE", los relés no permitirá el arranque después de una interrupción del suministro eléctrico sin arrancar nuevamente de manera manual.



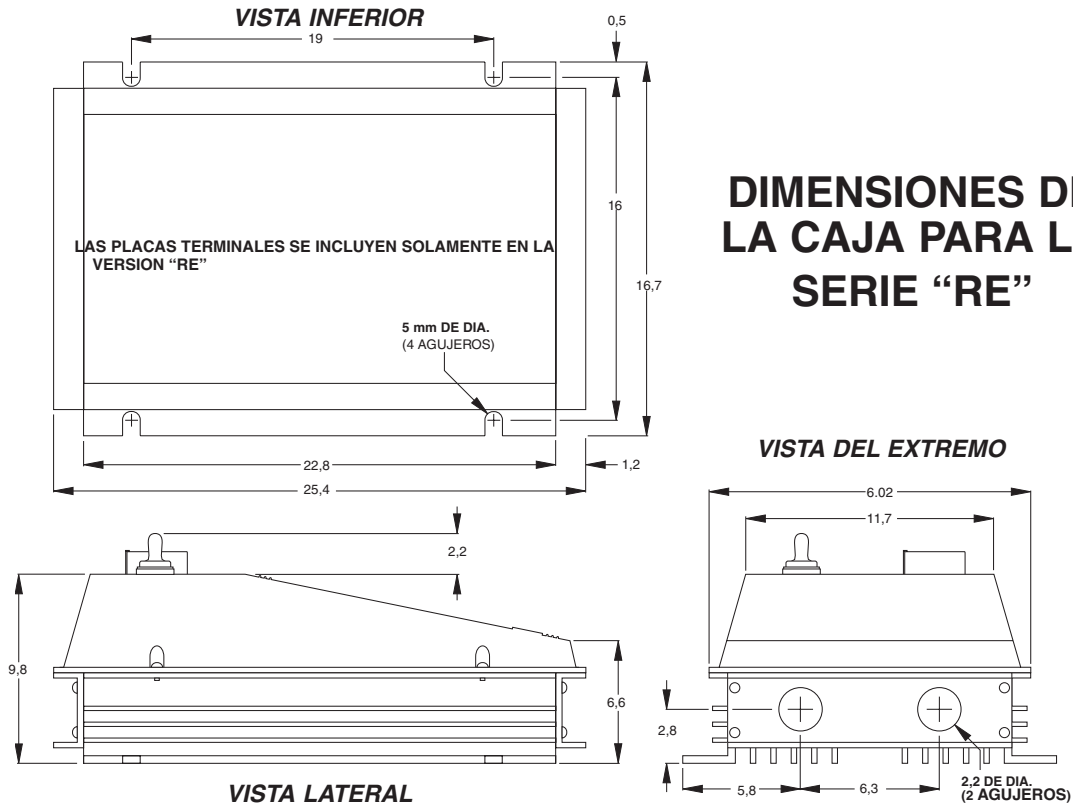
DIMENSIONES GENERALES DEL CONTROL (en centímetros)



VISTA SUPERIOR



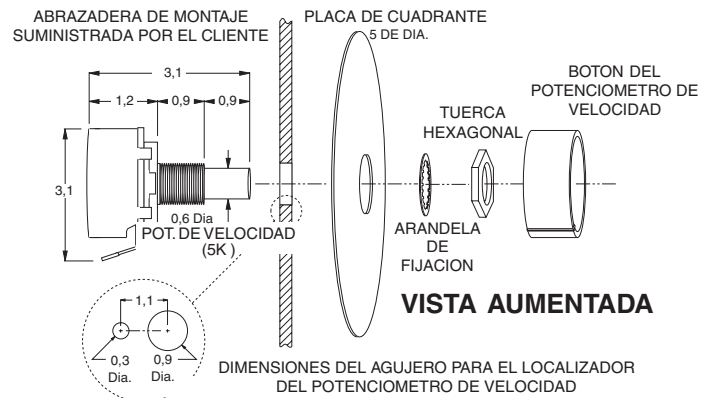
VISTA DEL EXTREMO



DIMENSIONES DE LA CAJA PARA LA SERIE "RE"

DIMENSIONES DE MONTAJE PARA EL POTENCIOMETRO DE VELOCIDAD

(Para las versiones "C" y "RC")



NO INSTALE EL CONTROL DONDE LA TEMPERATURA AMBIENTE NO ESTA ENTRE -10° a 45° C. (15° a 115° F.)

INSTRUCCIONES DE MONTAJE

1. Se suministran cuatro ranuras de 5 mm para el montaje del control.
2. Se puede usar el chasis de la Serie 530B como patrón.
3. Use componentes convencionales para el montaje.
4. Para la versión "RE" SOLAMENTE: Se suministran dos agujeros de 2,2 cm de diámetro en una de las placas terminales para facilitar el cableado. Esto hace que sea fácil conectar el ducto de 1,2 cm.

NOTA: Para los modelos cerrados que utilizan motores de 1 h.p. 90V o 2 h.p. 180V, el control DEBE ser instalado verticalmente.

PRECAUCION:

NO INTENTE REALIZAR LA PRUEBA HI-POT (POTENCIOMETRO-ALTO) A TRAVES DE LAS LINEAS CA CON EL CONTROL EN EL CIRCUITO. ESTO RESULTARA EN DAÑOS INMEDIATOS O A LARGO PLAZO EN EL DISPOSITIVO DE CONTROL.

PROCEDIMIENTO DE CABLEADO

1. Seleccione todos los cables con inducido o corriente de línea para corriente SEGUN LO ESPECIFICAN LOS CODIGOS NACIONALES, ESTATALES Y/O LOCALES. Todos los demás cables pueden ser # 20AWG o más pequeños, según lo permita el código local.
2. El cable del dispositivo de control (Potenciómetro, Tacómetro, etc.) debe ser separado de todos los cables del Inducido, del Campo (en el caso de Arrollamiento en Derivación) y AC al colocarlo en los ductos o en las bandejas para cables. La versión cerrada tiene dos agujeros en una placa terminal para este propósito.

CABLEADO DE REGLETAS DE TERMINALES - P1

PRECAUCION:
ASEGURESE DE QUE LA CAJA DEL DISPOSITIVO DE CONTROL ESTE CONECTADA A TIERRA APROPIADAMENTE.

La Serie 530B emplea una regleta terminal tipo barrera de 7 posiciones para las conexiones de corriente.

- P1-1 (PUESTA TIERRA)** - Efectúe la puesta a tierra del dispositivo de control conectando el cable de puesta a tierra a este terminal. NOTA: Los terminales P1-5 (-ARM) y P2-2 (AMP REF) son eléctricamente equivalentes, lo cual es el punto de referencia común (punto común de baja tensión) para la lógica de control. El terminal de PUESTA A TIERRA (P1-1) es eléctricamente diferente del punto común. Si se conectan juntos, ya sea en el amplificador o de cualquier otra manera, ¡el resultado podría ser fatal o peligroso y el dispositivo de control SE DAÑARA!
- P1-2 (AC1) 115 VAC** - Conecte el cable caliente de entrada CA (cable negro) a este terminal. NOTA: Este está fundido (F1) en el dispositivo de control.
(AC1) 230 VAC - Conecte cualquiera de los dos cables calientes.
- P1-3 (AC2) 115 VAC** - Conecte el cable neutro CA (cable blanco) a este terminal. NOTA: Este está fundido (F2) en el dispositivo de control.
(AC2) 230 VAC - Conecte cualquiera de los dos cables calientes.
- P1-4 (+ INDUCIDO)** - Se conecta al cable positivo (+) del Inducido del motor. 0-90 VCD para una entrada de 115 VCA o 0-180 VCD para una entrada de 230 VCA. Consulte la sección "ESPECIFICACIONES" para las clasificaciones de salida.

PRECAUCION: LA CONEXION DEL INDUCIDO NO SE DEBE APAGAR NI INTERRUMPIR MIENTRAS EL DISPOSITIVO DE CONTROL ESTA ENCENDIDO. EL DISPOSITIVO DE CONTROL SE PUEDE DAÑAR SERIAMENTE.

- P1-5 (- INDUCIDO)** - Se conecta con un cable negativo (-) del inducido en el motor (también considerado como un circuito común).
- P1-6 (- CAMPO)** Se conecta con el cable negativo (-) de Campo del motor de Arrollamiento en Derivación.

TABLA DE TENSION DE CAMPO		
Modelo #	Entrada VCA	Campo VCD
530B	115	100
	230	200

- P1-7 (+ CAMPO) - NO LO UTILICE** con un motor de Magneto permanente. Este cableado suministra tensión +CAMPO para motores de Arrollamiento en Derivación. Consulte la tabla de arriba para los motores de Arrollamiento en Derivación de tensión doble. Esta corriente de salida está clasificada en 1 amp para los controles de la serie 530B y en 1.5 amps para los controles de la serie 533B. Con motores de campo de tensión doble (o sea 50/100V o 100/200V), asegúrese de conectar el valor más alto.

CABLEADO DE REGLETAS DE TERMINALES - P2

La Serie 530B emplea una regleta terminal tipo barrera de 13 posiciones para las conexiones de corriente.

PRECAUCION: ¡NINGUNO DE LOS TERMINALES P2 SE DEBEN CONECTAR A TIERRA!

- P2-1 (OVER CURRENT OUT: Apagar Corriente Excesiva)** - Se puede usar para señalar que el dispositivo de control se encuentra en el límite de corriente. También se puede usar para transmitir señales o alarmas de otros dispositivos. Esta es una señal lógica de nivel bajo que sube cuando el amplificador de límite de corriente alcanza el nivel de corriente. La lógica de este control es de +12 voltios, y la salida en este terminal es de aproximadamente 1.5 voltios a través de un resistor de 1000 ohmios cuando en el límite de corriente.
- P2-2 (AMP REF)** - Este es el punto común de la lógica, y se utiliza como punto común con OVER CURRENT OUT (P2-1), +TACH (P2-9), REV 1 (P2-7), REV 2 (P2-8) y WIPER (P2-4). NOTA: ¡Nunca conecte este terminal con la puesta a tierra! ¡Esto puede resultar en daños y lesiones serias! Este terminal es eléctricamente equivalente a -ARM (P1-5).
- P2-3 (SPEEDPOT LO): Parte Inferior del Potenciómetro de Velocidad** - Se conecta con el lado inferior (cable anaranjado) del Potenciómetro de Velocidad 5K (normalmente el extremo en dirección contraria a las agujas del reloj). Esta entrada se aumenta y disminuye mediante el potenciómetro de ajuste MIN. La tensión de entrada de velocidad electrónica (seguidor de tensión) se puede ubicar en relación a Speedpot LO si se desean activar los ajustes del potenciómetro MIN. De otro modo, las entradas se pueden ubicar en relación a AMP REF (P2-2), saltando el potenciómetro de ajuste MIN. **¡LA ENTRADA NO SE DEBE CONECTAR A TIERRA!**

PRECAUCION PARA LAS APLICACIONES DE LOS SEGUIDORES DE TENSION:
¡LA CONEXION DE ENTRADA PARA EL POTENCIOMETRO DE VELOCIDAD NO SE DEBE CONECTAR A TIERRA!
EL DISPOSITIVO DE CONTROL SE PUEDE DAÑAR SERIAMENTE COMO RESULTADO DE UNA ENTRADA CONECTADA A TIERRA.

- P2-4 (SPEEDPOT WIPER: Cursor del Potenciómetro de Velocidad)** - Se conecta al cursor (cable rojo del potenciómetro de Velocidad (cable central). Use esta entrada para el lado positivo (+) de la operación del seguidor de tensión o del seguidor del tacómetro. El lado negativo (-) se conecta a AMP REF (P2-2). **¡LA ENTRADA NO DEBE SOBREPASAR EL MAXIMO DE +12V Y NO SE DEBE CONECTAR A TIERRA!**
- P2-5 (SPEEDPOT HI: Parte Superior del Potenciómetro de Velocidad)** - Se conecta al lado superior (cable blanco) del potenciómetro de Velocidad (extremo CW). Interno a +12 voltios. **¡LA ENTRADA NO SE DEBE CONECTAR A TIERRA!**
- P2-6 (SPARE: reserva)** - Este terminal no se conecta al circuito de control, pero se puede usar como terminal para modificaciones de campo.

P2-7 (REV 1) - REV 1 y REV 2 son entradas idénticas de parada rápida. Una de ellas debe ser mantenida baja (a AMP REF) antes de que pueda operar el dispositivo de control. Ambas están separadas mediante diodos formando una compuerta "OR". Como -ARM (P1-5) también se mantiene baja en el sistema, estas dos entradas se pueden cablear hacia el lado del motor de un interruptor o relé de inversión. Durante el período de conmutación, ninguna de las entradas serán bajas, lo que hará que la velocidad de ajuste regrese inmediatamente a cero y que se ajuste la rampa de aceleración.

P2-8 (REV 2) - Idéntico a REV 1 (P2-7).

P2-9 (+TACH) - Conecte +TACH desde un tacómetro CD para la retroalimentación del tacómetro. El cable negativo (-) del tacómetro se conecta a AMP REF (P2-2). La tensión de salida desde el tacómetro a toda velocidad puede variar desde 6 a 12 voltios. La escala se ha corregido usando un puente JU3 que escoge entre 3V y 7V por 1000 RPM y el "trimpot" de velocidad MAX. El tacómetro debe ser de 3V por 1000 RPM o de 7V por 1000 RPM, según corresponda.

P2-10 (PILOT LIGHT: Luz Piloto) - Punto de conexión para la lámpara de neón indicadora de Encendido-Apagado. El alambre restante debe conectarse a P2-11.

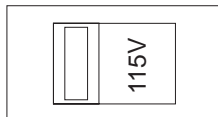
P2-11 (STOP: Paro) - Instale uno o más interruptores de paro normalmente cerrados (en serie) entre STOP (P2-11) y COMMON (P2-12). No está activado en la versión "C".

P2-12 (COMMON: Común) - Punto medio de los interruptores de Paro y Arranque. No está activado en la versión "C".

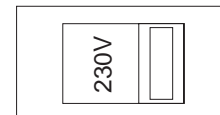
P2-13 (START: Arranque) - Instale uno o más interruptores de arranque normalmente cerrados (en serie) entre START (P2-13) y COMMON (P2-12). No está activado en la versión "C".

GRADUACIÓN DE LA CORRIENTE DE ENTRADA, VCA

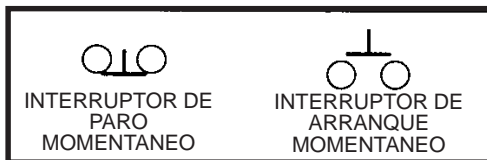
Deslice el interruptor de selección de voltaje completamente hacia la izquierda como se muestra en 1ef, para usar corrientes de entrada de 110 V a 130 VCA. Para usar corrientes de entrada de 208V a 240 VCA, deslice el interruptor de selección completamente hacia la derecha, como se muestra abajo a la derecha.



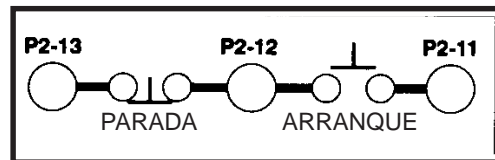
Nota:
El poner el interruptor de selección en la posición inapropiada puede ocasionar daños al controlador.



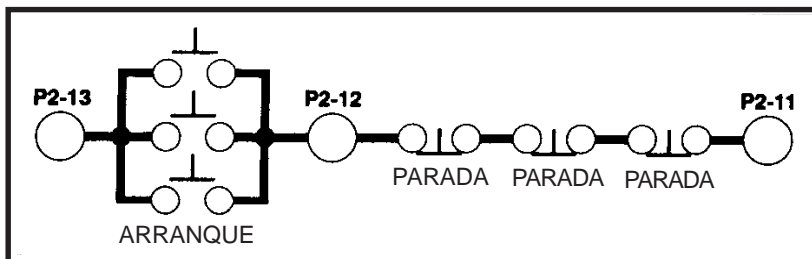
DIAGRAMAS DE CIRCUITO EN ESCALERA DE INTERRUPTOR



CABLEADO DE ARRANQUE-PARO



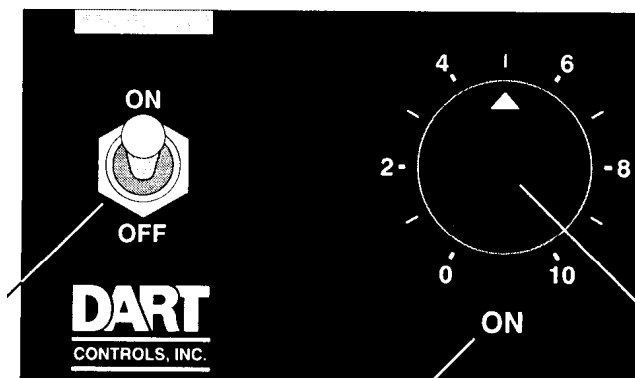
CABLEADO DE ARRANQUE-PARO (CON 3 ESTACIONES)



Avertencia:
Este diagrama es para las versiones "RC" y "RE" SOLAMENTE. NO LO UTILICE para la versión "C".

IDENTIFICACION DEL TABLERO DE CONTROL "RE"

INTERRUPTOR DE ARRANQUE-PARO
EL INTERRUPTOR MOMENTANEO ENCIENDE Y APAGA EL DISPOSITIVO DE CONTROL



INDICACION DE ENCENDIDO
LAMPARA INDICADORA LED OCULTA

POTENCIOMETRO DE VELOCIDAD
POTENCIOMETRO DE VELOCIDAD DE 5000 OHMIOS 2 W CONTROLA LA VELOCIDAD DEL MOTOR

ARRANQUE INICIAL

1. Verifique que el interruptor de selección de 115/230 VCA se ha colocado en la posición correspondiente al voltaje de entrada que se desea.
2. Revise nuevamente todo el cableado. Las puestas a tierra accidentales, los cables flojos o punzados del inducido o del potenciómetro de velocidad dañarán el dispositivo de control al encender la unidad.
3. Consulte la sección “PROCEDIMIENTO DE AJUSTE” y observe las ADVERTENCIAS referentes al desensamble de la tapa para los ajustes.
4. Posicione previamente los potenciómetros de ajuste para el caballaje utilizando la “TABLA DE AJUSTE DEL POTENCIOMETRO”.
NOTA: Las opciones pueden hacer que cambien los datos de la tabla de ajuste de estos potenciómetros. Si su dispositivo de control tiene una opción, asegúrese de leer cuidadosamente la sección bajo “OPCIONES” que se refiere a su opción.
5. Coloque el potenciómetro de velocidad en cero (completamente en dirección contraria a las agujas del reloj).
6. Encienda la unidad y haga avanzar el potenciómetro de velocidad mientras observa el motor.
7. Si la rotación del motor es incorrecta, apague la unidad en el punto de desconexión externo e invierta las conexiones +ARM y -ARM.
8. No se necesita ningún reajuste si la operación es satisfactoria.
9. Si se observa cierta inestabilidad o fluctuación, o si la velocidad máxima sobrepasa la velocidad deseada, pase a la sección “PROCEDIMIENTO DE AJUSTE”.
10. Para los demás problemas, consulte “EN CASO DE DIFICULTADES”.

ADVERTENCIA:

AL HACER UN AJUSTE, UTILICE SIEMPRE UN DESTORNILLADOR CON BARRA AISLADA PARA EVITAR UNA SACUDIDA ELECTRICA EN LOS COMPONENTES DEL TABLERO PC. AL QUITAR LA TAPA DEL DISPOSITIVO DE CONTROL, ESTA DEBE QUEDAR APOYADA PARA EVITAR EL CONTACTO ACCIDENTAL ENTRE EL CHASIS Y LOS COMPONENTES CARGADOS DE LA TAPA.

PROCEDIMIENTO DE AJUSTE

Cuatro ajustes (MIN., MAX., I.R. COMP. y CUR. LIM.) son verificados en fábrica usando un motor típico. Use la “TABLA DE AJUSTE DEL POTENCIOMETRO” para posicionar los potenciómetros de ajuste de acuerdo al ajuste aproximado de su caballaje. Los otros dos ajustes (ACCEL y DECEL) son los ajustes de aceleración y desaceleración, y se deben ajustar de acuerdo a los requisitos específicos de su aplicación. La “TABLA DE AJUSTE DEL POTENCIOMETRO” es una aproximación válida al usar un potenciómetro de velocidad o una señal de entrada de 0 a 12 VCD para controlar la velocidad. No se recomienda la operación del dispositivo de control más allá de +/- 10% de la tensión de línea normal y se podrían requerir reajustes. Estos ajustes son permanentes; normalmente no se requieren reajustes periódicos. (NOTA: Use solamente un voltímetro sin conexión a tierra).

MAX. **Ajusta la velocidad máxima del motor cuando el potenciómetro de velocidad ha sido rotado 100% en dirección de las agujas del reloj. La rotación en esta dirección aumenta la velocidad máxima del motor.**

- 1) ¡Apague la unidad de accionamiento!
- 2) Conecte un voltímetro CD; positivo a +ARM y negativo a -ARM.
- 3) Establezca la gama de tensión del medidor por 90 VCD o 180 VCD.
- 4) Sin ninguna carga en el motor, ajuste el potenciómetro de ajuste MAX en la tensión clasificada del inducido, de acuerdo a lo que indique el medidor.

NOTA: Se puede usar un tacómetro o una sonda en vez del medidor. Siga los pasos descritos arriba, pero posicione el potenciómetro de ajuste MAX de acuerdo a la velocidad base clasificada del motor, según lo indicado en el tacómetro o sonda.

MIN. **Establece el voltaje mínima del motor al colocar el potenciómetro de velocidad en cero. La rotación en dirección de las agujas del reloj aumenta el voltaje mínima del motor.**

- 1) Coloque el potenciómetro de velocidad en cero (completamente en dirección contraria a las agujas del reloj).
- 2) Sin ninguna carga en el motor, ajuste el potenciómetro de ajuste MIN hasta que el motor comience a girar.
- 3) Haga retroceder lentamente en dirección contraria a las agujas del reloj hasta que el motor se pare.

NOTA: Si se desea la rotación del motor con el potenciómetro de velocidad en cero, ajuste el potenciómetro de ajuste MIN en dirección de las agujas del reloj hasta alcanzar la velocidad mínima deseada.

I.R. COMP. **Suministra el medio para mejorar la regulación de velocidad en la modalidad de retroalimentación del inducido. Si no importa que la velocidad del motor cambie durante un cambio de carga, haga girar el potenciómetro de ajuste completamente en dirección contraria a las agujas del reloj.**

- 1) Coloque el potenciómetro de velocidad en 50%.
- 2) Observe la velocidad del motor durante una condición sin carga.
- 3) Aplique una carga completa al motor.
- 4) Haga girar el potenciómetro de ajuste I.R. COMP. en dirección de las agujas del reloj (mientras se aplica la carga) hasta mantener la velocidad del motor sin carga.

(PROCEDIMIENTO DE AJUSTE continúa)

CUR. LIM. Limita la corriente CD del inducido del motor (torsión) para evitar que se dañen el motor o el dispositivo de control. El límite de corriente está ajustado para el 125% de la corriente clasificada del motor. La rotación en dirección de las agujas del reloj de este potenciómetro de ajuste aumenta la corriente del inducido (o se produce la torsión).

- 1) ¡Apague el dispositivo de accionamiento!
- 2) Conecte un amperímetro CD en serie con la línea +ARM (entre +A en el motor y +ARM en el control). Posicione el potenciómetro de límite de corriente en dirección contraria a las agujas del reloj.
- 3) Encienda la corriente y posicione el potenciómetro de velocidad en 50%.
- 4) Aumente la carga del motor hasta que éste se quede parado (cero RPM).
- 5) Posicione el potenciómetro de ajuste CUR. LIM girándolo en el sentido de las manecillas del reloj a 125% de la corriente clasificada del inducido del motor (consulte la "TABLA DE AJUSTE DEL POTENCIOMETRO").

ACCEL Permite el ajuste de la aceleración por el usuario.

- 1) El giro del "trimpot" en la dirección de las agujas del reloj aumenta el período de aceleración necesario para que el control alcance plena velocidad.

DECEL Permite el ajuste de la desaceleración por el usuario.

- 1) El giro del "trimpot" en la dirección de las agujas del reloj aumenta el período de desaceleración necesario para que el control llegue a velocidad cero.

TABLA DE AJUSTE DEL POTENCIOMETRO

MIN	ACCEL	DECEL	MAX	I.R.	CUR LIM	HP	VOLTIOS	MIN	ACCEL	DECEL	MAX	I.R.	CUR LIM	HP	VOLTIOS
						1/8	115							1/4	230
						1/6	115							1/3	230
						1/4	115							1/2	230
						1/3	115							3/4	230
						1/2	115							1.0	230
						3/4	115							1.5	230
						1.0	115							2.0	230
						1.5	115							3.0	230

NOTAS: Estos ajustes se aplican un potenci—metro de 5000 ohmios. Esta tabla no se puede usar con ciertas Opciones (consulte la sección sobre Opciones).

MODELO 533BC - DE 1.5 Y 3.0 HP

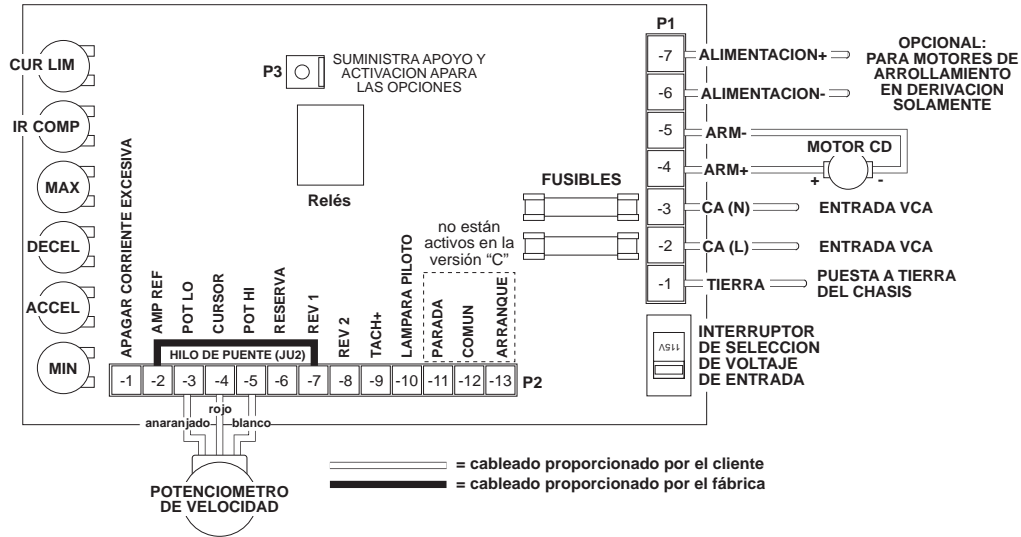
Para las aplicaciones de 1.5 HP y 3.0 HP, el control del modelo 533BC tiene las siguientes restricciones:

- Disponible solamente en montaje de Chasis (C).
- El modelo de 1.5 HP se ofrece en 115 VCA, con corriente de salida de 0-90 VCD, mientras que el modelo de 3 HP se ofrece en corriente de entrada de 230 VCA con 0-180 VCD de salida.
- Relé, arranque-parada, inversión, frenado dinámico y avance por cierres sucesivos no están disponibles por parte de la fábrica (los suministra y cablea el cliente).
- Los tableros de aislamiento (opciones -5 y -7) están disponibles.

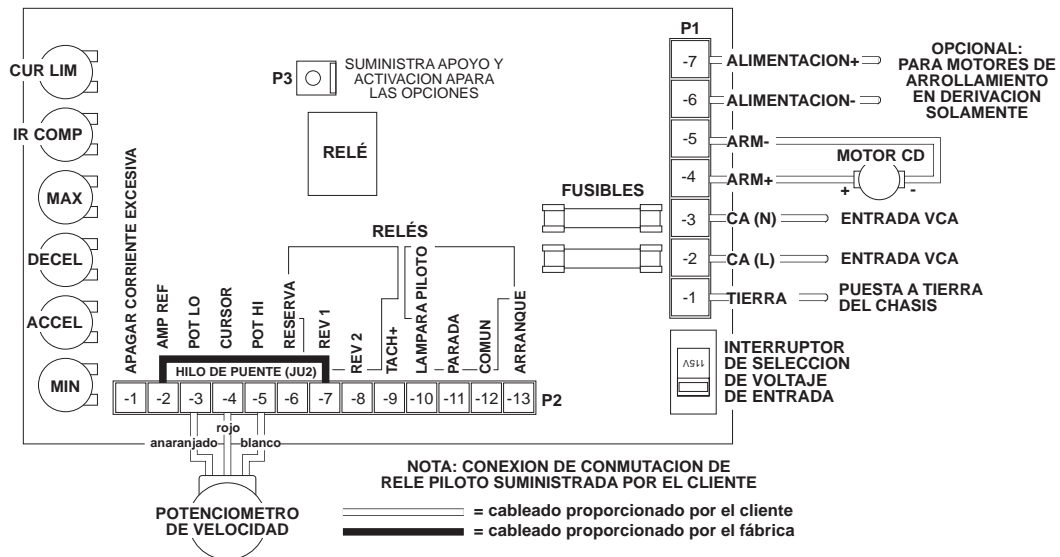
DIAGRAMAS DE CONEXION BASICA SIN OPCIONES

(si se incluyen opciones en su dispositivo de control, consulte la sección sobre opciones en este manual).

Modelo 530BC y 533BC ("Version C")

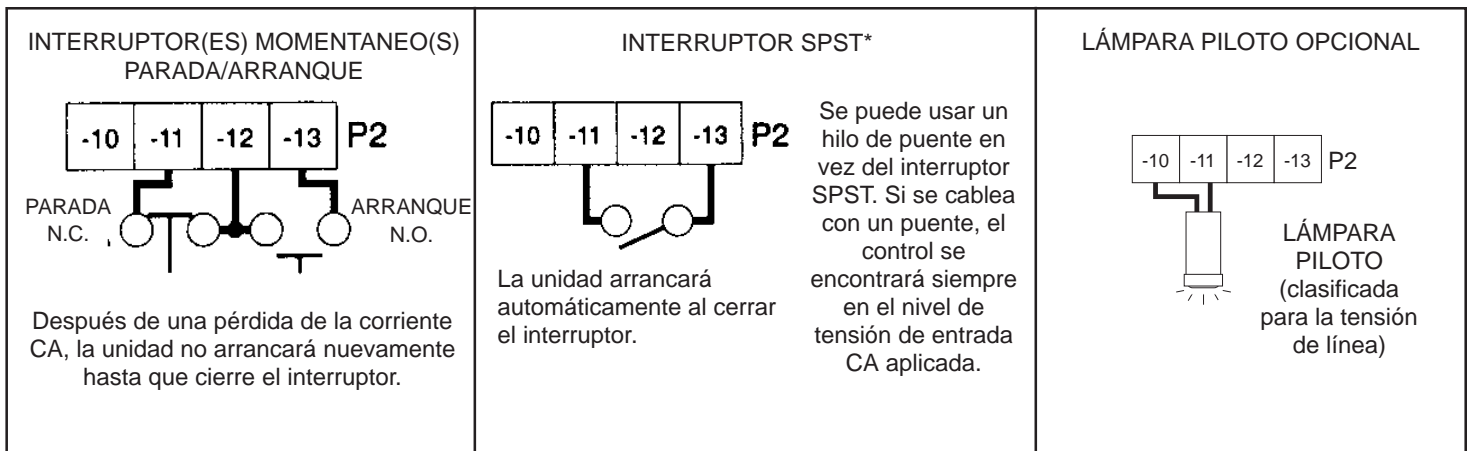


Modelo 530BRC ("Version RC")



CONMUTACION DE RELE PILOTO

(Cableado proporcionado por el cliente en la versión "530BRC")



modelo 530BRE ("Version RE")

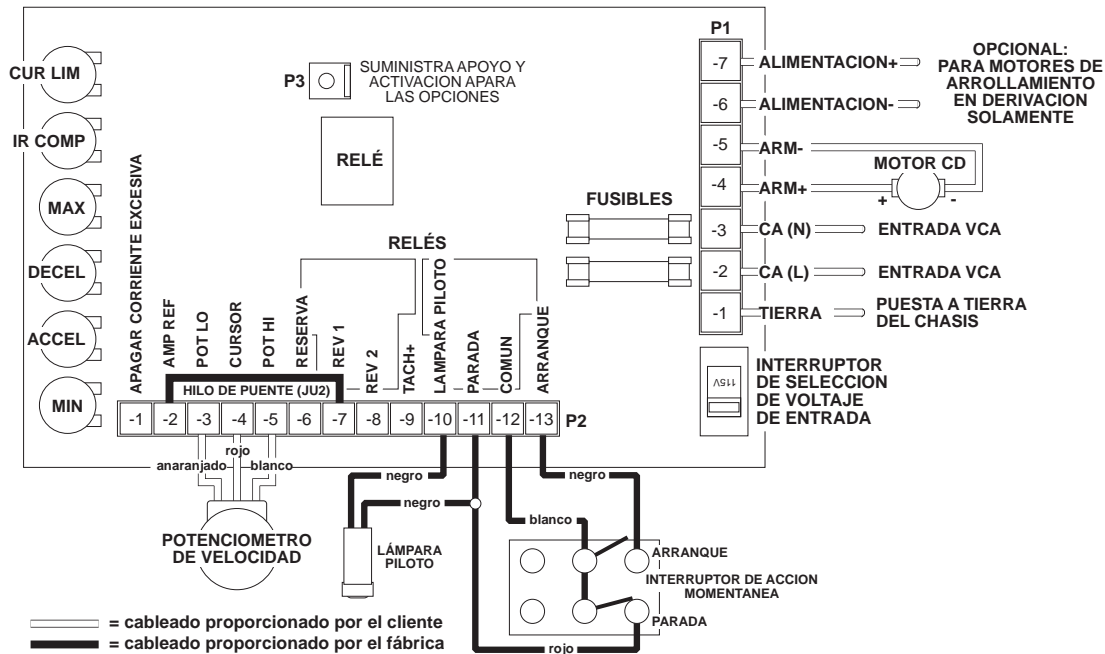


TABLA DE SELECCIÓN DEL HILO DE PUENTE JU2

NOTA: Los hilos de puente podrían ser necesarios para la regleta de terminales P2 para que pueda funcionar el control (consulte la tabla de puentes que aparece abajo).

Como se explicó en la sección "PREGUNTAS FRECUENTES", REV 1 (P2-7) y REV 2 (P2-8) son entradas de paro. Se debe mantener baja una de estas entradas con relación a AMP REF (P2-2) para que el control opere. Es necesario puentear entre AMP REF y REV 1 o REV 2 para satisfacer la compuerta "OR". Se puede instalar un tablero de opción en el control que satisface la compuerta "OR". Este puente (entre P2-2 y P2-7) se denomina JU2. Para realizar la inhibición con arranque suave y parada rápida, el puente JU2 puede reemplazarse con un interruptor SPST.

SI = SE REQUIERE EL PUENTE

NO = NO SE USA EL PUENTE

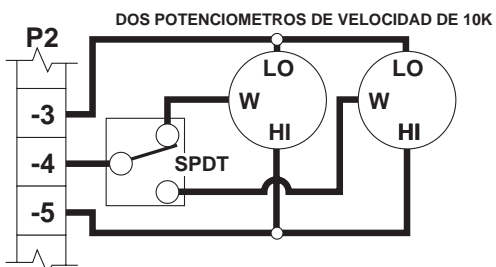
OPCION	DESCRIPCION	PAGINA#	PUENTE	"C"	"RC"	"RE"
NINGUNA	CONTROL DE STOCK	9-10	JU2	SI	SI	SI
-4	AVANCE	11	JU2	SI	SI	SI
-5/-7	SEGUIDOR DE CORRIENTE	12-13	JU2	SI	SI	SI
-36M/-38	AVA/INV con VELOCIDAD CERO y D.B.R.	14-15	JU2	NO	NO	NO

NOTA: El instalar un puente JU2 cuando no es necesario puede ocasionar daños permanentes al control.

MODIFICACIONES DEL CONTROL

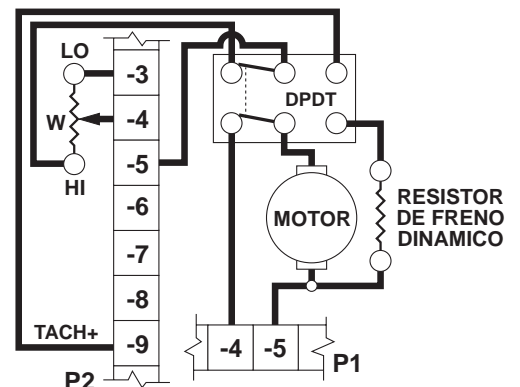
OPERACION DE DOS VELOCIDADES

La operación de dos potenciómetros se efectúa utilizando dos potenciómetros de velocidad de 10 Kohmios en paralelo (ambos HI a P2-5 y ambos LO a P2-3). El CURSOR se puede encender y apagar mediante el interruptor SPDT.



FRENADO DINAMICO

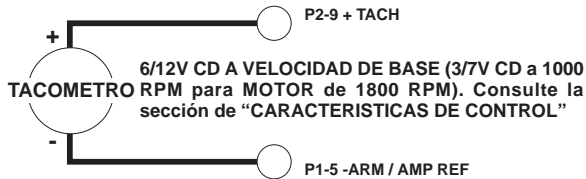
Se utiliza un interruptor DPDT para inhibir el control y conectar el DBR (resistor de freno dinámico). Los valores típicos del DBR son 5 ohmios para 115V, 10 ohmios para 230V (ambos de 35W a 50W). Note que el caballaje, la inercia y el tiempo de ciclo del motor afectan el tipo de DBR. NOTA: En una opción -15A, la desaceleración debe ser posicionada completamente en dirección contraria a las agujas del reloj para usarla con el DBR.



(continúa)

RETROALIMENTACION DEL TACOMETRO

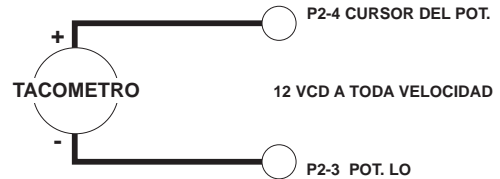
Mejora la regulación de velocidad a +/- 1/2% de la velocidad base.



NOTA: NECESITA 1% O MENOS - ONDULACION DE SALIDA DEL TACOMETRO

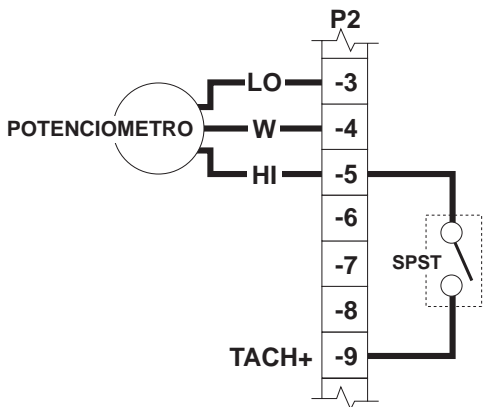
SEGUIDOR DE TACOMETRO

Permite que la salida del control siga la tensión del tacómetro



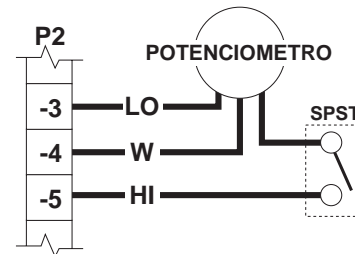
INHIBIR (SE USA INDEPENDIEMENTEMENTE)

El interruptor SPST que suministra el cliente se conecta en serie entre el potenciómetro de velocidad HI (P2-5) y el terminal TACH+ (P2-9). Para inhibir, se cierra el potenciómetro de velocidad HI al terminal TACH+. Para arrancar nuevamente, el interruptor se debe colocar nuevamente en la posición abierta. NOTA: El control parará y arrancará rápidamente.



INHIBIR (SE USA CON EL POTENCIOMETRO DE VELOCIDAD)

El interruptor SPDT que suministra el cliente se conecta en serie entre el terminal HI del "speedpot" (P2-5) y el "speedpot HI". Para realizar la inhibición, los contactos del interruptor SPST se abren. Para arrancar nuevamente, el interruptor se debe colocar nuevamente en la posición abierta. NOTA: El control produce una parada suave y arranque suave por medio de la graduación de aceleración.



NOTA: Permite el arranque y la parada del motor sin romper las líneas AC. En caso de fallas SCR o disparos falsos, el circuito de inhibición no detendrá el motor.

Use siempre alambre blindado para conectar al terminal de inhibición. El blindaje debe conectarse al (-Armadura) o al (Common) del control.

OPCIONES

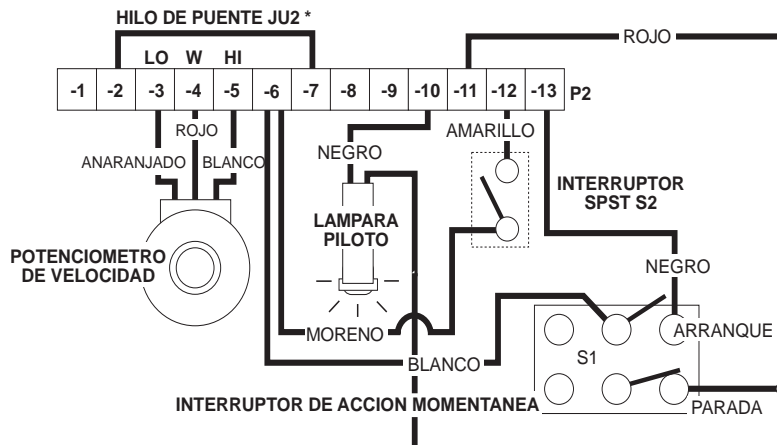
NOTA: Todas las opciones se especifican con un sufijo que se agrega al número de modelo. Este sufijo comienza con un guión (-). Las opciones más populares están descritas en las páginas siguientes. Al usar una combinación de dos o más de estas opciones, el procedimiento de cableado no se detalla en este manual. Favor de comunicarse con su Distribuidor o Representante.

Opción -4

Vea abajo para la instalación y disponibilidad

Funcionamiento Intermitente

Esta opción se instala en la fábrica para la versión "RE" solamente. "S2" se encuentra en la tapa y desactiva el circuito de enganche del relés de corriente, permitiendo que el interruptor de corriente avance sucesivamente en el dispositivo de accionamiento. Las versiones "C" y "RC" usan interruptores y cableados suministrados por el cliente. Además, la versión "C" utiliza un relé que también debe suministrar el cliente.



NOTAS:

Para la versión "RE", S1, S2 y la lámpara piloto son SUMINISTRADOS POR LA FABRICA.

Para las versiones "C" y "RC", S1, S2 y la lámpara piloto son SUMINISTRADOS POR LOS CLIENTES.

* Este hilo de puente no se usa con algunas de las otras opciones. El utilizar un puente JU2 cuando no es necesario puede ocasionar daños permanentes al control

Opción -5

Seguidor de señal aislado de 4-20 ma.

Disponible para los modelos "C" y "RC" solamente

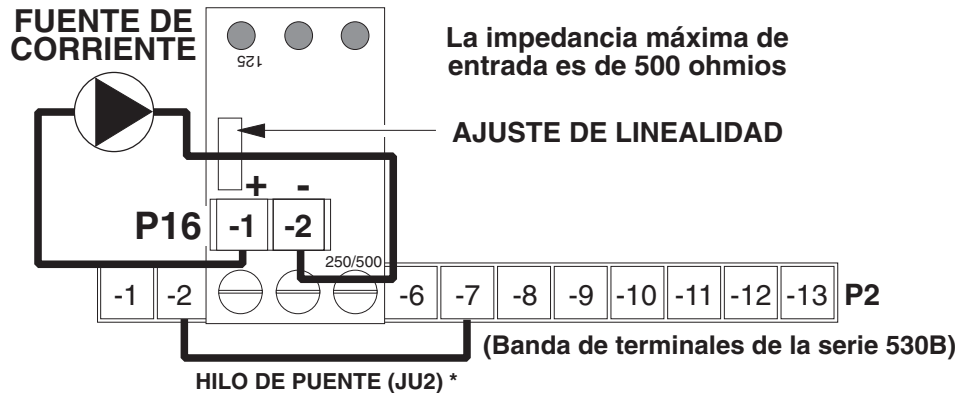
Instalación en la fábrica o en el sitio del usuario

(para los modelos cerrados use la Opción -7)

4 a 20mA -5

Impedancia de entrada: 500 ohms o menor

NO UTILICE EL GRÁFICO DEL POTENCIÓMETRO DE AJUSTE PARA AJUSTAR LOS POTENCIÓMETROS DE AJUSTE MÍN. Y MÁX. EN EL TABLERO PRINCIPAL. SI SE NECESITA REALIZAR UN AJUSTE, REMÍTASE A LOS PROCEDIMIENTOS DE GRADUACIÓN A CONTINUACIÓN.



Esta opción reemplaza al potenciómetro de velocidad con una señal de 4-20 ma. para controlar la velocidad. La fuente de corriente puede unirse a tierra o no. El tablero se coloca en los espaciadores atornillados a los terminales P1-3, P1-4, y P1-5 en el tablero principal utilizando tornillos largos. La fuente de corriente se conecta a la regleta de conexiones de dos posiciones + y - (P16-1 and -2) en el tablero opción -5.

El potenciómetro de ajuste de linealidad en el tablero opción -5 está configurado en fábrica para su linealidad adecuada, sin embargo, puede ocurrir que este potenciómetro de ajuste necesite reajustarse luego de sintonizar las configuraciones del potenciómetro de ajuste Máx. y Mín. de control para su aplicación específica. Si esto fuera necesario, remítase al procedimiento de graduación a continuación.

Graduación de los Potenciómetros de ajuste Mín., Máx. y de linealidad.

1. Predetermine el potenciómetro de ajuste de linealidad helicoidal en el tablero opción -5 en sentido horario completamente, configure el potenciómetro de ajuste Mín. en sentido antihorario completamente y configure el potenciómetro de ajuste Máx. en aproximadamente una rotación del 50%.
2. Alimente con una señal de corriente de 4 ma. al control y gire el potenciómetro de ajuste Mín. en sentido horario hasta el voltaje de salida mínimo deseado o hasta la banda inactiva (el punto justo antes de que usted comience a obtener una salida).
3. Alimente con una señal de corriente de 20 ma. al control y determine el potenciómetro de ajuste Máx. en la configuración de velocidad máxima deseada.
4. Con una señal de 20 ma. todavía ingresando al control, gire el potenciómetro de ajuste de linealidad en sentido antihorario hasta que su velocidad de salida comience a disminuir. Luego, gire nuevamente, de manera lenta, en sentido horario hasta que alcance la configuración de velocidad máxima deseada.

Para modelos cerrados utilice la opción -7.

* NOTA: No use los ajustes MAX y MIN de la "TABLA DE POSICIONAMIENTO DEL POTENCIOMETRO DE AJUSTE" con esta opción. Observe el procedimiento de ajuste. Nota: Este alambre de puente no debe usarse con ciertas opciones. Consulte con la fábrica si está instalando más de una opción.

Opción -7

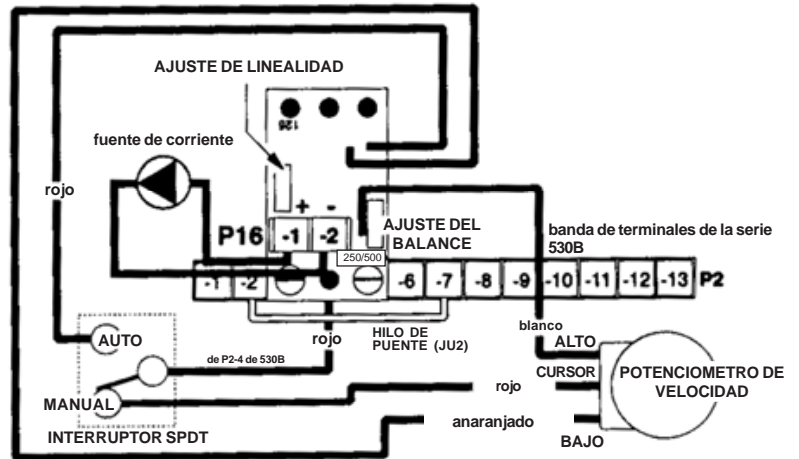
Seguidor de señal aislado de 4-20 ma.
con Interruptor manual/automático

Unidad con Chasis instalada en la fábrica o en el sitio del usuario
En Fábrica solamente para los modelos Cerrados
Disponible en todos los modelos

Impedancia de entrada: 500 ohms o menor

4 a 20mA -7

NO UTILICE EL GRÁFICO DEL POTENCIÓMETRO DE AJUSTE PARA AJUSTAR LOS POTENCIÓMETROS DE AJUSTE MÍN. Y MÁX. EN EL TABLERO PRINCIPAL. SI SE NECESITA REALIZAR UN AJUSTE, REMÍTASE A LOS PROCEDIMIENTOS DE GRADUACIÓN A CONTINUACIÓN.



Esta opción le permite que el control se ejecute tanto en modo Manual a través de un potenciómetro de velocidad o de modo Automático a través de la señal de 4-20 ma. La fuente de corriente puede unirse a tierra o no. El tablero se coloca en los espaciadores atornillados a los terminales P1-3, P1-4, y P1-5 en el tablero principal utilizando tornillos largos. La fuente de corriente se conecta a la regleta de conexiones de dos posiciones + y - (P16-1 and -2) en el tablero opción -7.

Esta opción incluye un potenciómetro de ajuste de balance que se utiliza para graduar la velocidad máxima en el modo manual. Está configurado en fábrica para que la velocidad máxima en modo manual esté igualada con la velocidad máxima en modo automático.

El potenciómetro de ajuste de linealidad en el tablero opción -7 está configurado en fábrica para su linealidad adecuada, sin embargo, puede ocurrir que este potenciómetro de ajuste necesite reajustarse luego de sintonizar las configuraciones del potenciómetro de ajuste Máx. y Mín. de control o el potenciómetro de ajuste de balance en el -7 deba reajustarse para su aplicación específica. Si esto fuera necesario, remítase al procedimiento de graduación a continuación.

Graduación de los Potenciómetros de ajuste Mín., Máx., de balance y de linealidad.

1. Predetermine el potenciómetro de ajuste de linealidad helicoidal y el potenciómetro de ajuste de balance en el tablero opción -7 en sentido horario completamente, configure el potenciómetro de ajuste Mín. en sentido antihorario completamente y configure el potenciómetro de ajuste Máx. en aproximadamente una rotación del 50%.
2. Alimente con una señal de corriente de 4 ma. al control y gire el potenciómetro de ajuste Mín. en sentido horario hasta el voltaje de salida mínimo deseado o hasta la banda inactiva (el punto justo antes de que usted comience a obtener una salida).
3. Alimente con una señal de corriente de 20 ma. al control y determine el potenciómetro de ajuste Máx. en la configuración de velocidad máxima deseada.
4. Cambie el control al modo de configuración manual y ajuste el potenciómetro de ajuste de balance en sentido antihorario como sea necesario para obtener la velocidad de salida máxima necesaria en el modo manual. (Ajustable desde el 50 al 100% de configuración máxima en el modo automático)
5. Vuelva a cambiar al modo automático. Con una señal de 20 ma. todavía ingresando al control, gire el potenciómetro de ajuste de linealidad en sentido antihorario hasta que su velocidad de salida comience a disminuir. Luego, gire nuevamente, de manera lenta, en sentido horario hasta que alcance la configuración de velocidad máxima deseada.

* NOTA: No use los ajustes MAX y MIN de la "TABLA DE POSICIONAMIENTO DEL POTENCIOMETRO DE AJUSTE" con esta opción. Observe el procedimiento de ajuste. Nota: Este alambre de puente no debe usarse con ciertas opciones. Consulte con la fábrica si está instalando más de una opción.

Opción -11

Potenciómetro de Velocidad de Diez Rotaciones

Instalación en el sitio del cliente - ordenado como artículo separado
Disponible para los modelos "C" y "RC" solamente

Suministra un control más preciso de la velocidad. La instalación es igual a la del potenciómetro de velocidad.

Opción -15A

Aceleración / Desaceleración Extendidas

Instalación en fábrica
Disponible para todos los modelos

Extiende el período de aceleración / desaceleración a 30 segundos (rampa lineal).

Opción -36M / -38M

Avance / Inversión con Velocidad Cero

Detección y Freno Dinámico

Instalación en fábrica o en el sitio del cliente - ver abajo
 Disponible para todos los modelos, exceptuando a los de 3 H.P.

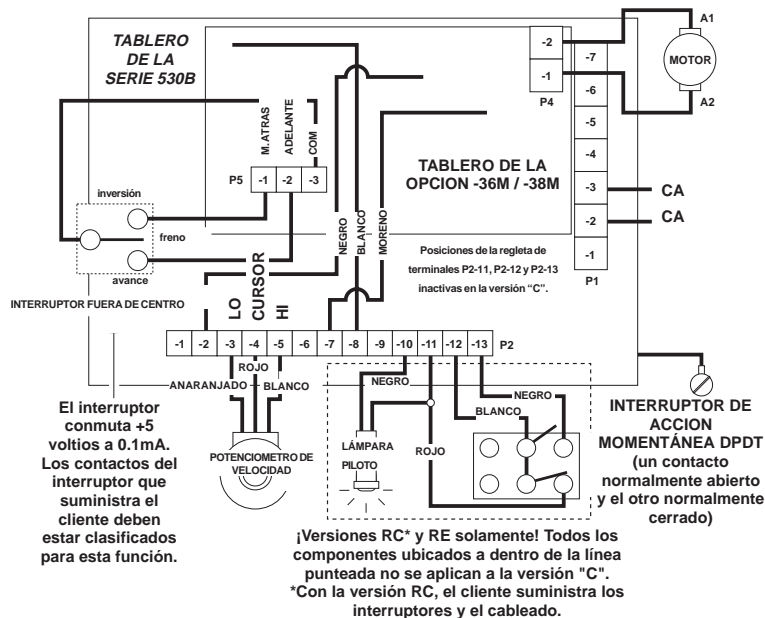
Opción	Entrada AC	Instalada	Valor DBR	ubicación / colocación DBR
-36M	115 VCA	fábrica o sitio del usuario	5Ω30W	opción montada en tablero
-36MA	115 VCA	fábrica solamente	5Ω50W	montaje de estiramiento por presión
-38M	230 VCA	fábrica o sitio del usuario	10Ω30W	opción montada en tablero
-38MA	230 VCA	fábrica solamente	10Ω50W	montaje de estiramiento por presión

Advertencia: Al incorporar esta opción, no será posible la operación con voltaje dual del tablero de la serie 530B. El interruptor de selección de corriente de entrada de 115/230V CA (tablero de la serie 530B) debe graduarse para la clasificación apropiada de corriente de entrada de la opción -36M/-38M que se está usando.

CONEXION -36M / -38M UTILIZANDO EL INTERRUPTOR O CONTACTO SPDT

NOTA:

¡LAS ENTRADAS A LA REGLETA DE TERMINALES P-5 NO DEBEN ESTAR CONECTADAS CON UNA PUESTA A TIERRA!



La opción -36M / -38M "frena" a cero automáticamente antes de invertir la marcha. El interruptor fuera de centro SPDT se utiliza en la dirección seleccionada. Al invertir la dirección, los relés K1, K2 y K3 conectan el resistor de freno dinámico al inducido. El motor "frena", y a la velocidad de cero los relés invierten los cables del inducido, haciendo que el motor gire en dirección opuesta. Cuando el interruptor se encuentra en la posición central (STOP: alto), el inducido del motor se conecta al resistor del freno dinámico. Esta opción también se puede instalar en el sitio del usuario si la aplicación emplea una señal de comando remoto para operar.

Notas: El interruptor de arranque-parada debe ser suministrado por el cliente para la versión "RC" (consulte los Diagramas de Conexión para el cableado del interruptor). La versión "RE" requiere una tapa especial que debe ser encargada para la instalación en el sitio del usuario de las opciones -36M / -38M. El Resistor de Freno Dinámico se instala de acuerdo al modelo (consulte la tabla de arriba para el reemplazo).

IMPORTANTE: NO USE EL HILO DE PUENTE JU2 con esta opción. AL MODIFICAR, SE DEBE QUITAR EL JU2.

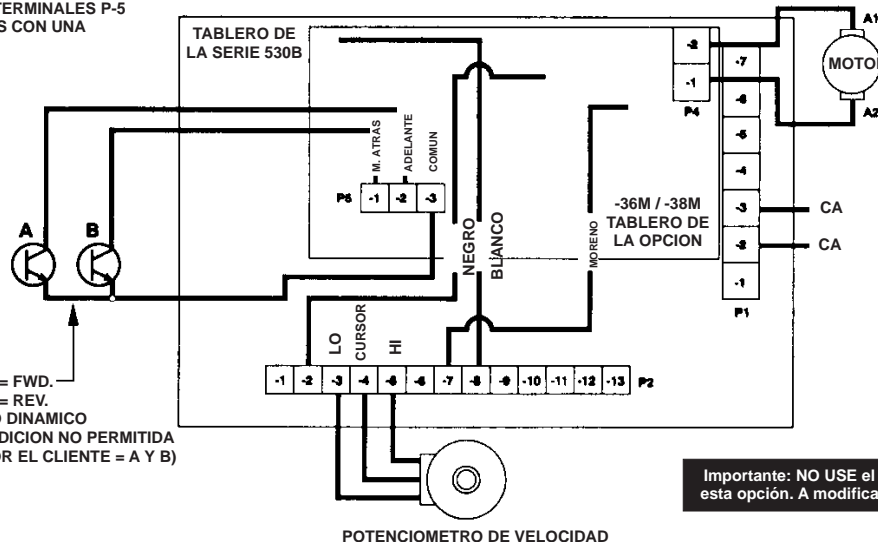
Para localizar el hilo de puente, vea la sección "Diagramas de Conexión Básica Sin Opciones".

CONEXION DE LAS OPCIONES -36M / -38M PARA EL CONTROL DIRECCIONAL DE COLECTOR ABIERTO NPN

NOTA:

¡LAS ENTRADAS A LA REGLETA DE TERMINALES P-5 NO DEBEN ESTAR CONECTADAS CON UNA

Advertencia:
 Al incorporar esta opción, no será posible la operación con voltaje dual del tablero de la serie 530B. El interruptor de selección de corriente de entrada de 115/230V CA (tablero de la serie 530B) debe graduarse para la clasificación apropiada de corriente de entrada de la opción -36M/-38M que se está usando.



TRANSISTOR "A" ENCENDIDO = FWD.
 TRANSISTOR "B" ENCENDIDO = REV.
 "A" Y "B" APAGADOS = FRENO DINAMICO
 "A" Y "B" ENCENDIDOS = CONDICION NO PERMITIDA
 (LOGICA PROPORCIONADA POR EL CLIENTE = A Y B)

Importante: NO USE el hilo de puente JU2 con esta opción. A modificar, se debe quitar el JU2.

Para localizar el hilo de puente, vea la sección "Diagramas de Conexión Básica Sin Opciones".

CONEXION -36M / -38M PARA OPERACION UNIDIRECCIONAL/FRENO DINAMICO**NOTA:**

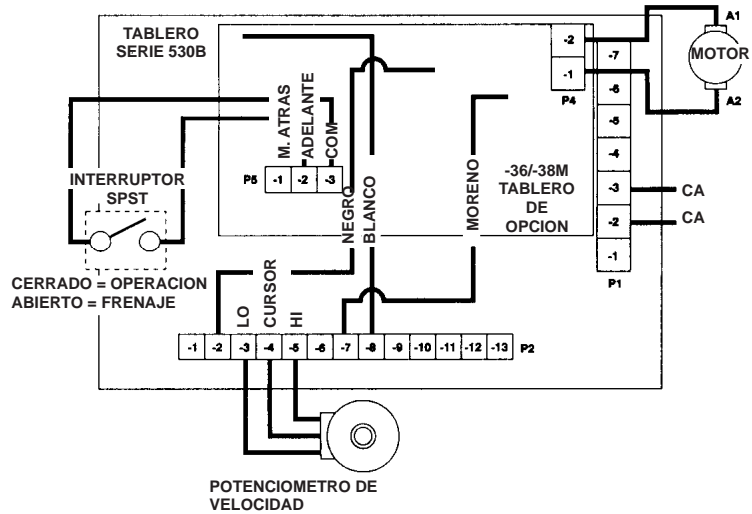
¡LAS ENTRADAS DE LA REGLETA DE TERMINALES P-5 NO DEBEN ESTAR CONECTADAS CON UNA PUESTA A TIERRA!

Advertencia:

Al incorporar esta opción, no será posible la operación con voltaje dual del tablero de la serie 530B. El interruptor de selección de corriente de entrada de 115/230V CA (tablero de la serie 530B) debe graduarse para la clasificación apropiada de corriente de entrada de la opción -36M/-38M que se está usando.

Importante: NO USE el hilo de puente JU2 con esta opción. A modificar, se debe quitar el JU2.

Para localizar el hilo de puente, vea la sección "Diagramas de Conexión Básica Sin Opciones".

**EN CASO DE DIFICULTAD**

PROBLEMA	CAUSA(S) POSIBLE(S)	ACCION(ES) CORRECTIVA(S)
El motor no opera	Fusible quemado Corriente incorrecta o inexistente El potenciómetro está colocado en cero Las escobillas del motor están desgastadas Puentes inapropiados o faltantes	Reemplace el fusible Instale el servicio apropiado Ajuste el potenciómetro de velocidad en dirección de las agujas del reloj para arrancar Reemplace las escobillas del motor Vea "TABLA DE SELECCIÓN DEL HILO DE PUENTE JU2"
El voltaje de salida de la armadura no puede ajustarse; el voltaje de salida de CD es de nivel constante.	Sin conexión al motor o a la carga Conexión baja del "speedpot" abierta	Verifique que el motor o la carga están conectados a los terminales de la armadura. Verifique que el alambre bajo del "speedpot" está conectado.
El motor se para u opera muy lentamente con el control de velocidad girado completamente en dirección de las agujas del reloj.	Tensión baja Condición de sobrecarga Escobillas del motor desgastadas Velocidad max. ajustada incorrectamente	Debe estar sobre 108V o 216V Reduzca la carga o reajuste el Límite de Corriente Reemplace las escobillas del motor Consulte la sección "Procedimiento de Ajuste"
El motor fluctúa	IR Comp demasiado alto El motor se encuentra en el Límite de Corriente La velocidad del motor sobrepasa la velocidad clasificada	Consulte la sección "Procedimiento de Ajuste" Consulte la sección "Procedimiento de Ajuste" Reduzca el posicionamiento Max. del potenciómetro de ajuste
Los fusibles se queman repetidamente	Condición de sobrecarga Escobillas del motor desgastadas Cojinetes del motor defectuosos Componentes eléctricos descompuestos	Reduzca la carga Reemplace las escobillas del motor Reemplace los cojinetes del motor Devuélvalos para que se los reparen
El motor opera pero no se para	Cableado incorrecto Cableado defectuoso Componente descompuesto	Consulte las secciones "Cableado de Regletas de Terminales" Revise el cableado Devuélvalo para que se lo reparen

Después de consultar esta sección, si aún no funciona el control, comuníquese con su Distribuidor o Representante Dart o devuelva la unidad para que se la reparen.

FUSIBLES

El motor y el control están protegidos contra sobrecargas mediante el circuito de límite de corriente. Se suministra protección adicional mediante 2 fusibles montados en el tablero principal. Use los reemplazos exactos de los fusibles si los debe cambiar. Antes de cambiar los fusibles, asegúrese de que la corriente del control esté desconectada en la fuente. Nota: Ambos lados de la entrada VAC están fusionados.

HP: 1/8 - 2.0 H.P. TAMAÑO DEL FUSIBLE: 20 Amp TIPO DE FUSIBLE: BUSSMAN ABC-20 o Little Fuse 314020
HP: 3.0 H.P. TAMAÑO DEL FUSIBLE: 20 Amp TIPO DE FUSIBLE: BUSSMAN ABC-20 o Little Fuse 314020

ESPECIFICACIONES

TENSION DE ENTRADA CA $\pm 10\%$ de la tensión de línea clasificada
 ALTURA Hasta 7,500 pies sobre el nivel del mar
 CAPACIDAD DE SOBRECARGA DE CONTROL 200% por 1 minuto
 DIMENSIONES Y PESOS:

	ANCHURA	LONGITUD	PROFUNDIDAD	PESO	TIPO
INGLES	6.70"	9.00"	2.00"	40 oz.	C
	6.70"	9.00"	2.25"	41 oz.	RC
	6.70"	10.00"	4.75"	56 oz.	RE
METRICO	171 mm	229 mm	51 mm	1134 gm	C
	171 mm	229 mm	57 mm	1162 gm	RC
	171 mm	254 mm	121mm	1422 gm	RE

FACTOR DE SERVICIO DE LA UNIDAD DE ACCIONAMIENTO 1.0
 EFICIENCIA valor típico de 85%
 ESP. ELECTRICAS - CORRIENTE Y GAMAS DE CABALLAJE TÍPICAS:

H.P.	ENTRADA 115 VCA / SALIDA 0-90VCD		ENTRADA 230 VCA / SALIDA 0-180 VCD	
	MAX CA AMPS	MAX ARM AMPS	MAX CA AMPS	MAX ARM AMPS
1/8	1.80	1.40	-----	-----
1/6	2.60	2.10	-----	-----
1/4	3.50	2.70	1.80	1.40
1/3	4.40	3.40	2.20	1.70
1/2	6.50	5.00	3.30	2.50
3/4	9.30	7.20	4.80	3.70
1.0	13.20	10.20	6.50	5.00
1.5	21.50	14.70	9.70	7.50
2.0	-----	-----	12.90	9.90
3.0	-----	-----	22.00	15.00

PROTECCION DE FUSIBLE 2 fusibles de línea CA (vea "Fusibles")
 HUMEDAD 95% sin condensar
 FRECUENCIA DE ENTRADA 50 o 60 Hertzios
 CORRIENTE MAXIMA DEL INDUCIDO - CONTINUO 10 ACD (2 h.p.); 15.0 ACD (3 h.p.)
 LAMPARA PILOTO (VERSION "RE") Neón
 DISPOSITIVOS DE CORRIENTE Puente empacado de onda completa
 TENSION DE CAMPO DE ARROLLAMIENTO 100VCD para 115VCA de entrada; 200VCD para 230VCA de entrada
 (1.0 A max. - 530B; 1.5 A max. - 533B)
 CONTROL DE VELOCIDAD Mediante Potenciómetro de 5K ohmios o señal aislada de 0-10 VCD
 GAMA DE VELOCIDAD 50:1
 REGULACION DE VELOCIDAD $\pm 1\%$ de velocidad base
 REALIMENTACION DEL TACOMETRO Cambia la entrada de 3V a 7V por 1000 RPM
 GAMA DE TEMPERATURA -10° a 45° C. ambiente (15° a 115° F.)
 PROTECCION DE TENSION TRANSITORIA G-Mov
 POTENCIOMETROS:

RANGO DE ACELERACION 0.3 a 12.0 segundos - ajustable
 RANGO DE LIMITE DE CORRIENTE 1 a 20 amperios (1/8 a 2 h.p.)
 2 a 30 amperios (1.5 y 3 h.p.)
 RANGO DE DESACELERACION 0.6 a 12.0 segundos - ajustable
 RANGO DE COMPENSACION DE CAIDA DE TENSION 1/8 a 2.0 h.p. (controles 530B)
 1.5 y 3.0 h.p. (controles 533B)
 RANGO DE VELOCIDAD MAXIMA 60% a 120% de velocidad base
 RANGO DE VELOCIDAD MINIMA 0% a 30% de velocidad máxima
 TIPO DE RAMPA DE ACEL/DESACEL Lineal

COLOCACIÓN Y LISTA DE PARTES DE LA SERIE 530B

RESISTORES

R1	220K
R2	5K TRIM (MIN)
R3	47K
R4	300K
R5	10K
R6	4.7K
R7	250K TRIM (ACCEL)
R8	1K
R9	27K
R10	4.7K
R11	250K TRIM (DECEL)
R12	1K
R13	47K
R14	4.7K
R15	47 Ω 1/2W
R16	91K 1/2W
R17	180K 1/2W
R18	470 Ω
R19	47K
R20	6.8K
R21	300K
R22	1K
R23	47K
R24	470K
R25	10K
R26	680K
R27	22K
R28	2.2K
R29	1K
R30	220K
R31	390 Ω
R32	390 Ω
R33	39K
R34	1K TRIM (CUR)
R35	2.2K
R36	470 Ω
R37	50K TRIM (MAX)
R38	100 Ω TRIM (I.R.)
R39	VEA ABAJO
R40	100K
R41	VEA ABAJO
R42	33K
R43	100K

DISPOSITIVOS ACTIVOS

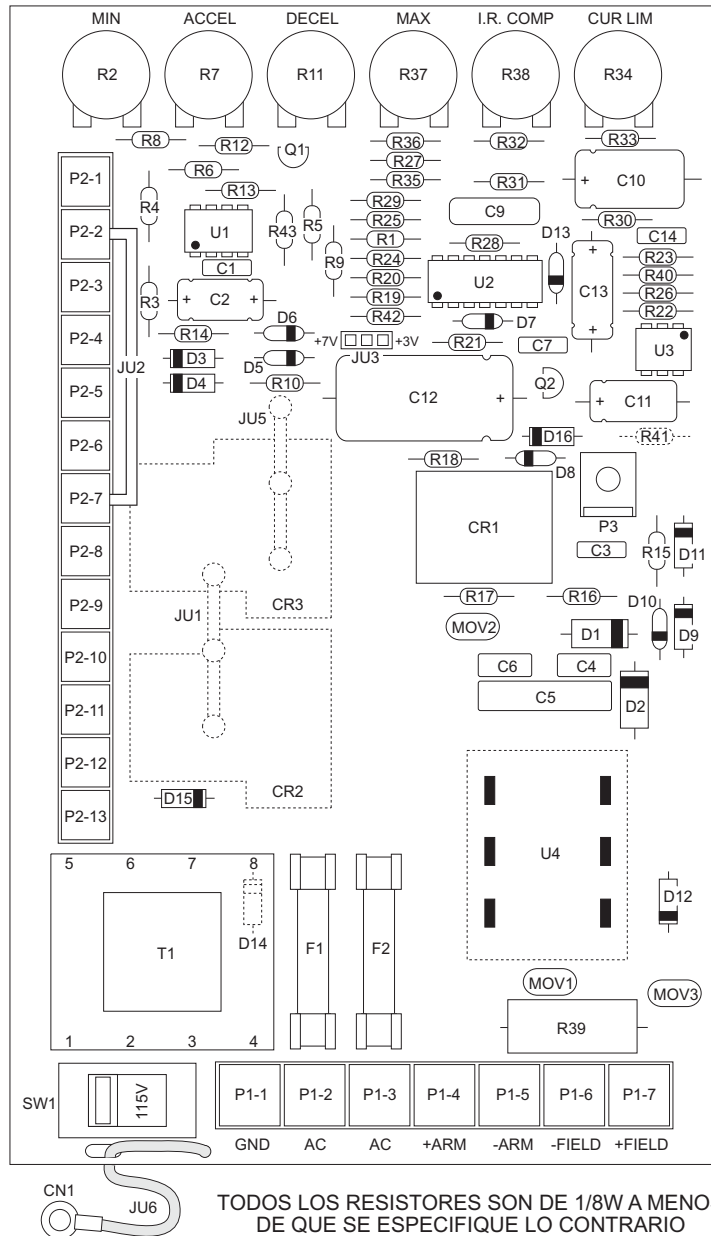
Q1	2N4124
Q2	LM78L12 REG.
U1	LM358 IC
U2	LM324 IC
U3	3052 MOC
U4	PUENTE L512F

CAPACITORES

C1	.01 μ F 63V
C2	1 μ F 50V N.P.
C3	.01 μ F 400V
C4	.01 μ F 400V
C5	.068 μ F 250VAC
C6	.01 μ F 400V
C7	.01 μ F 63V
C8	NO USADO
C9	.22 μ F 250V
C10	150 μ F 16V
C11	47 μ F 16V
C12	470 μ F 50V
C13	1 μ F 50V N.P.
C14	.1 μ F 63V

DIODOS

D1	S6A4
D2	S6A4
D3	1N4005
D4	1N4005
D5	1N914B
D6	1N5233B
D7	1N914B
D8	1N5242B
D9	1N4005
D10	1N5233B
D11	1N4005
D12	1N4005
D13	1N914B
D14	1N4005
D15	1N4005
D16	1N4005



TODOS LOS RESISTORES SON DE 1/8W A MENOS DE QUE SE ESPECIFIQUE LO CONTRARIO

INFORMACION MISCELANEA

CN1	CT60R16USB CONECTOR	JU6	WC16GN3.5 CABLE
CR1	T73 RELE	MOV1	275V G-MOV
CR2	VEA ABAJO	MOV2	275V G-MOV
CR3	VEA ABAJO	MOV3	275V G-MOV
F1	20A FUSIBLE	PCB	CIRCUIT IMPRESO A-4-2563C
F2	20A FUSIBLE	P1	REGLETA DE TERMINALES DE 7 POS.
JU1	VEA ABAJO	P2	REGLETA DE TERMINALES DE 13 POS.
JU2	WC16WH2.5SL HILO DE PUENTE (VEA "SELECCION DE HILO DE PUENTE")	P3	CLAVIJA DE ESPADA MACHO DE 1/4"
JU3	CONECTOR MACHO CON PUENTE DE 3 POS.	SW1	115/230VCA INTERRUPTOR (DPDT)
JU5	VEA ABAJO	T1	TRANSFORMADOR DST428

CAMBIOS PARA OPCION -15A:

R13	180K
-----	------

CAMBIOS PARA 530BC:

CR2	NO USADO
CR3	NO USADO
JU1	RLB2503S RIEL
JU5	RLB2503S RIEL
R39	.015 Ω 5W
R41	1K 1/2W

CAMBIOS PARA 530BRC:

CR2	T9A RELE
CR3	T9A RELE
JU1	NO USADO
JU5	NO USADO
R39	.015 Ω 5W
R41	NO USADO

CAMBIOS PARA 530BRE:

CR2	T9A RELE
CR3	T9A RELE
JU1	NO USADO
JU5	NO USADO
R39	.015 Ω 5W
R41	NO USADO

CAMBIOS PARA 533BC:

CR2	NO USADO
CR3	NO USADO
JU1	RLB2503S RIEL
JU5	RLB2503S RIEL
R39	.005 Ω 5W
R41	1K 1/2W

DIBUJO ESQUEMÁTICO DE LA SÉRIE 530B

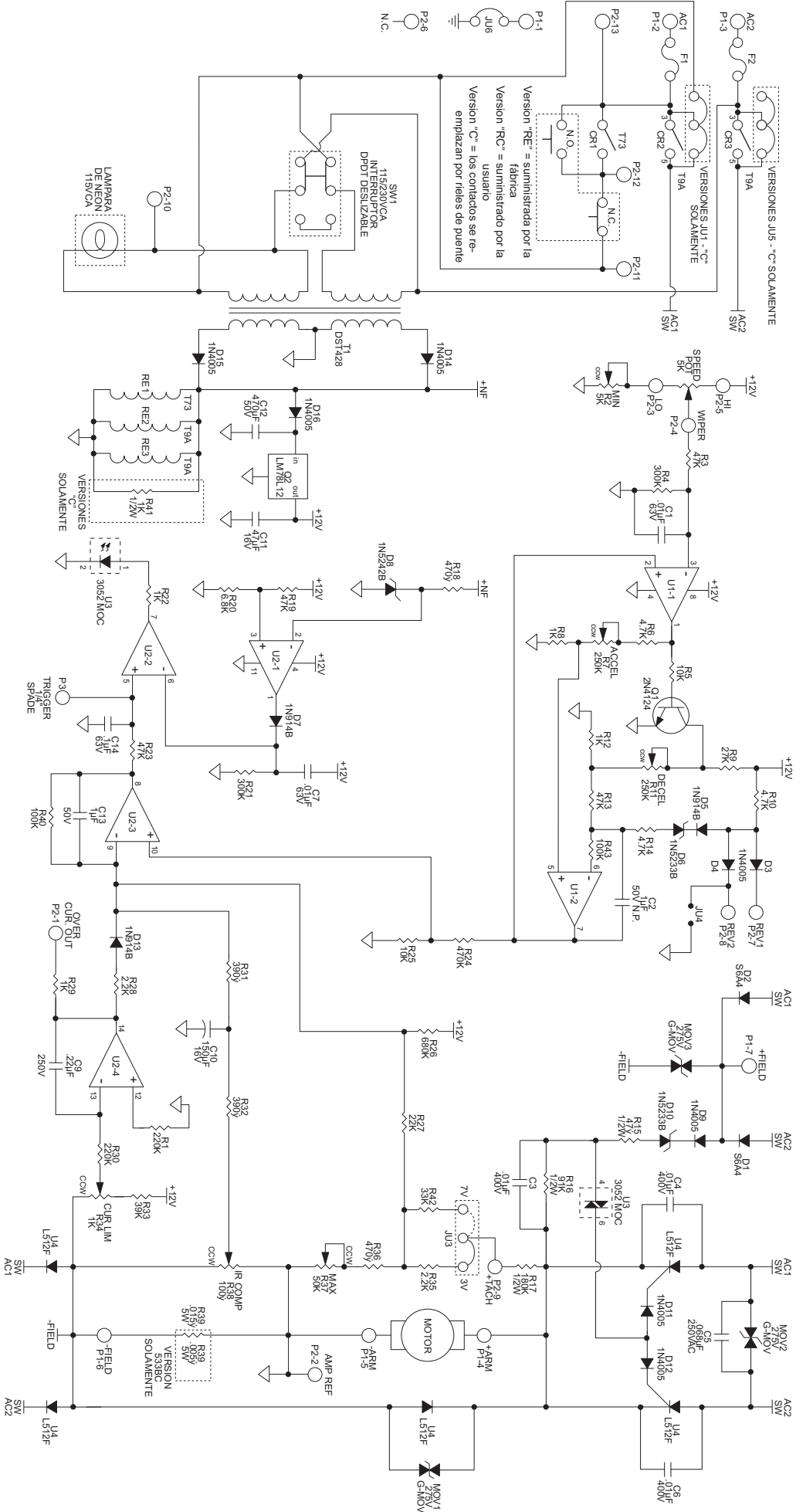


TABLE DES MATIÈRES

GARANTIE	1
INTRODUCTION	2
QUESTIONS LES PLUS SOUVENT POSÉES PAR L'UTILISATEUR	2
SÉLECTION DU MODÈLE DE BASE	2
CARACTÉRISTIQUES DE LA COMMANDE	3
DIMENSIONS GÉNÉRALES	3-4
DIMENSIONS DE MONTAGE DU POTENTIOMÈTRE	4
INSTRUCTIONS DE MONTAGE	4
PROCÉDURE DE RACCORDEMENT	4
RACCORDEMENT DU BORNIER - P1	5
RACCORDEMENT DU BORNIER - P2	5-6
RÉGLAGE D'ENTRÉE VCA	6
DIAGRAMMES D'INTERRUPTEUR EN ESCALIER	6
ÉLÉMENTS DU TABLEAU DE COMMANDE "RE"	6
MISE EN ROUTE	7
PROCÉDURE DE RÉGLAGE DU POTENTIOMÈTRE	7-8
TABLE DE RÉGLAGE DU POTENTIOMÈTRE	8
1.5 ET 3.0 PUISSANCE H.P. - MODÈLE 533BC	8
SCHÉMAS D'INSTALLATION DE BASE SANS OPTIONS	9-10
530BC, 533BC & 530BRC SCHÉMAS D'INSTALLATION	9
COMMUTATION ET RELAIEMENT À SIGNAL PILOTE	9
530BRE SCHÉMA D'INSTALLATION	10
TABLEAU DE SÉLECTION DU CÂBLE CAVALIER JU2	10
MODIFICATIONS DE LA COMMANDE	10-11
FONCTIONNEMENT À DEUX VITESSES	10
FREINAGE RHÉOSTATIQUE	10
RÉTROACTION DU TACHYMÈTRE ET SUIVEUR DE TENSION	11
INSTRUCTIONS D'INHIBITION	11
OPTIONS	11-15
OPTION -4	11
OPTIONS -5	12
OPTIONS -7 / -11 / -15A	13
OPTIONS -36M / -38M	14-15
EN CAS DE DIFFICULTÉ	15
INSTALLATION DES FUSIBLES	15
SPÉCIFICATIONS	16
EMPLACEMENT ET PIÈCES DE RECHANGE DE LA SÉRIE 530B	17
SCHÉMA DE LA SÉRIE 530B	18

GARANTIE

Dart Controls, Inc. (DCI) garantit que ces produits sont exempts de vices de fabrication. En cas de défectuosité reconnue par DCI, le recours exclusif pour cette garantie consiste en un échange par l'usine DCI de toute pièce d'un tel produit, qui devra être retourné à l'usine de DCI avec tous les frais de transport payés dans les douze mois suivant la livraison auprès de l'acheteur. Cette garantie ne couvre pas les défauts causés lors d'un montage autre que par DCI ou tout article ayant été réparé ou modifié par un parti autre que DCI ou tout article jugé par DCI comme ayant été soumis à une mauvaise utilisation. DCI n'assume aucune responsabilité pour les caractéristiques de conception d'une unité ou de son exploitation dans un circuit ou un assemblage. Cette garantie désavoue toute autre garantie, expresse ou implicite; toute autre obligation de la part de DCI, y compris des dommages indirects, sera par conséquent expressément exclue.

REMARQUE : Vérifiez soigneusement la commande pour déceler tout dégât. Signalez immédiatement les dommages au transporteur. N'essayez pas de faire fonctionner le moteur si des dégâts visibles sont en évidence sur le circuit ou sur les composants électriques.

Les informations contenues dans ce guide sont sensées être correctes, mais elles pourront faire l'objet de modifications sans préavis. Aucune garantie spéciale n'est accordée concernant ces informations et données. De plus, DCI désavoue toute obligation en cas d'omissions ou d'erreurs ou de dommages indirects causés par l'utilisateur de ce produit. DCI se réserve le droit de procéder à des modifications de fabrication n'ayant pas été incluses dans ce guide.

AVERTISSEMENT

Toute installation ou exploitation irrégulière de cette commande peut causer des blessures au personnel ou une panne à la commande. La commande doit être installée en respectant les codes de sécurité locaux, fédéraux et nationaux. Assurez-vous que l'alimentation est coupée avant d'effectuer tout entretien courant des composants ou de les retirer !!! Si le point de coupure de courant n'est pas visible, bloquez-le à la position de déconnexion et étiquetez-le pour éviter toute mise sous tension imprévue. Toute localisation de panne électrique ou maintenance devrait être effectuée par un électricien qualifié. La continuité du circuit ne devrait en aucun cas être vérifiée en court-circuitant les bornes avec un tournevis ou tout autre objet métallique.

INTRODUCTION

La commande de la Série 530B est une commande de moteur CC bitension à haute performance et à usages multiples comportant diverses caractéristiques et de nombreuses options une capacité accrue. Le modèle de la Série 530B fonctionnera à une puissance de 1/8 de HP (cv US) à 1.0 HP à une puissance d'entrée de 115VCA, et à une puissance de HP à 2.0 HP à une puissance d'entrée de 230VCA. Il existe un modèle pouvant fonctionner avec un moteur à 1.5 HP et à une puissance d'entrée de 115VCA ou avec un moteur à 3.0 HP et à une puissance d'entrée de 230VCA. Ce dernier est disponible uniquement monté sur châssis. Voir le guide de "Sélection du modèle de base".

La Série 530B comporte trois modèles de base:

- C** = Monté sur châssis, pas de boîtier ni de coffret, pas de relais de puissance
- RC** = Monté sur châssis, avec relais de puissance, pas de boîtier ni de coffret,
- RE** = Boîtier en plastique avec relais de puissance - Nema 4/12 standard

La Série 500 a été conçue afin de fonctionner avec des moteurs à aimants permanents, à enroulement de dérivation et certains moteurs universels (CA/CC) compris dans la plage de puissance HP indiquée précédemment. La Série 500 est équipée d'un dispositif de protection à l'épreuve des surtensions et des tensions transitoires et d'un limiteur de courant et de fusibles CA. Les vitesses maximum et minimum peuvent être facilement réglées grâce aux potentiomètres comme la "I.R. Compensation" (réglage de vitesse). L'accélération et la décélération peuvent être réglés grâce à des potentiomètres individuels.

QUESTIONS LES PLUS SOUVENT POSÉES PAR L'UTILISATEUR

- Q. Est-il possible de faire fonctionner deux moteurs ou plus à partir d'un même mécanisme de commande?**
R. Cela est déconseillé. La "I.R. Compensation" (régulation) et les circuits limiteurs de courant auront du mal à déterminer les diverses charges de chaque moteur.
- Q. Est-il possible de modifier la puissance en HP de mon moteur et cependant continuer à utiliser la même commande?**
R. Oui, tant que vous ne déviez pas de la plage de puissance HP de la tension que vous êtes en train d'utiliser. Les potentiomètres auront besoin d'être réglés; voir le "Tableau de réglage du potentiomètre" pour connaître les réglages approximatifs.
- Q. Est-il possible d'utiliser la Série 530B en tant que suiveur de tension?**
A. Oui, il existe une option -5 ou -7 pouvant être installée sur site et illustrée à la section "Options".
- Q. Est-il possible d'utiliser la Série 530B sur le tachymètre?**
R. Oui, voir + Tach (P2-9) au paragraphe "Raccordement du Bornier - P2".
- Q. Est-il possible d'utiliser les bornes Arrêt (Stop) (P2-11), Marche (Start) (P2-13) et le point commun (P2-12) pour la mise en marche ou l'arrêt de la commande sur le modèle "C" sur châssis?**
R. Non. Les bornes P2-11, P2-12 et P2-13 sont actives uniquement sur les versions à relais; "RE" et "RC". ces bornes ne sont pas en état de fonctionnement sur la version "C".
- Q. Est-il possible d'utiliser la Série 530B comme tension ou comme suiveur de tension?**
R. Oui. La tension ne doit pas être mise à la terre et ne doit pas dépasser +12VCC (Voir "Raccordement du bornier" pour installation correcte).
- Q. Comment procéder afin de démarrer ou d'arrêter la Série 530B avec mon propre relais?**
R. Vous pouvez utiliser le contact de votre relais à la place du câble cavalier AMP REF à REV 1 (P2-2 à P2-7). Étant donné qu'il s'agit d'un signal de faible intensité (12 volts à 2mA), vous devrez utiliser un relais de type logique (à contacts dorés de préférence). Ceci ne peut être effectué sur des commandes avec certaines options. Consultez votre représentant Dart si votre équipement comporte des options.
- Q. Pourquoi a-t-on besoin d'un câble cavalier entre AMP REF (P2-2) et REV 1 (P2-7) sur les mécanismes de commande dépourvus d'options?**
R. REV 1 (P2-7) et REV 2 (P2-8) sont deux commandes d'arrêt identiques. Une de ces deux entrées doit être maintenue basse (vers Amp P2-2) pour que la commande puisse fonctionner. Si le mécanisme de commande ne comporte pas d'options, un câble cavalier sera nécessaire afin de satisfaire la porte "OR". Certaines options répondent à ce critère. Pour ces options, un raccordement devra être effectué sur ces bornes. Au lieu de placer un câble cavalier, l'option est raccordée à ces bornes. (Voir "Tableau de Sélection du Câble Cavalier JU2").

SÉLECTION DU MODÈLE DE BASE

ENTRÉE 115/230 VCA	SORTIE 0-90/0-180 VCC	ALIMENTATION 100/200 VCC		
PLAGE HP ¹		CHÂSSIS	RELAIS CHÂSSIS	PROTÉGÉ
1/8 - 2.0		530BC	530BRC	530BRE
ENTRÉE 115/230 VCA	SORTIE 0-90/0-180 VCC	ALIMENTATION 100/200 VCC		
PLAGE HP ²		CHÂSSIS	RELAIS CHÂSSIS	PROTÉGÉ
1.5 et 3.0		533BC	Non disponible	Non disponible

1) Le modèle 1/8 à 1.0 h.p. s'utilise avec une entrée 115VCA, une sortie 0 à 90 VCC et 100VDC sur site; le modèle 1/4 à 2.0 h.p. s'utilise avec une entrée 230VCA, une sortie 0 à 180 VCC et 200VDC sur site.

2) Le modèle à 1.5 h.p. s'utilise avec une entrée 115VCA, une sortie 0 à 90 VCC et 100VDC sur site; le modèle à 3.0 h.p. s'utilise avec une entrée 230VCA, une sortie 0 à 180 VCC et 200VDC sur site.

CARACTÉRISTIQUES DE LA COMMANDE

INTERRUPTEUR DE SÉLECTION DE TENSION D'ENTRÉE - Sélectionnable par interrupteur pour entrée de 115 VCA et 230 VCA.

VITESSE MIN. - (vitesse minimum) Permet de régler la vitesse du moteur lorsque le potentiomètre est réglé à son minimum. De cette façon, l'utilisateur peut éliminer la "zone morte" à la commande de vitesse principale permettant un étalonnage zéro. En tournant le potentiomètre "MIN" dans le sens des aiguilles d'une montre, vous augmentez la sortie VCC.

ACCEL - (accélération) Permet de régler l'accélération du moteur d'un minimum de 0,3 secondes à un maximum d'environ 12 secondes. L'option -15A permet d'allonger le temps d'accélération à 30 secondes.

DECEL - (décélération) Permet de régler la décélération du moteur d'un minimum de 0,6 secondes à un maximum d'environ 12 secondes. L'option -15A permet d'allonger le temps de décélération à 30 secondes.

VITESSE MAX. - (vitesse maximum) Permet un réglage de la vitesse du moteur lorsque le potentiomètre est réglé à son maximum (antihoraire). De cette façon, l'utilisateur peut éliminer la "ZONE MORTE" du potentiomètre qui fournira la vitesse maximum à un régime maximum. En tournant le potentiomètre "MAX" dans le sens des aiguilles d'une montre, vous augmentez la sortie VCC.

I.R. COMP - (réglage de la vitesse) Permet de régler le circuit qui contrôle la vitesse du moteur. Le circuit contrôle l'induit en changeant la tension de l'induit pour compenser les augmentations ou réductions de charges de vitesse. En tournant le potentiomètre "I.R. COMP" dans le sens des aiguilles d'une montre, vous augmentez la compensation du gain.

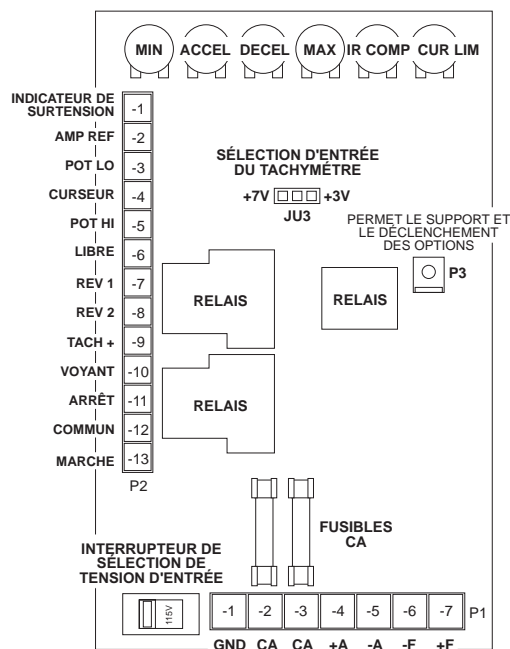
CUR. LIM - (limiteur de tension) Fournit une protection contre tout courant d'induit excessif en limitant le courant d'induit maximum pouvant être fourni par la commande. Permet de régler le couple maximum pouvant être fourni par le moteur. Le réglage du courant (CUR LIM) est réglé à 125% du courant nominal du moteur en fonction de la puissance en horse-power. En tournant le potentiomètre "CUR LIM" dans le sens des aiguilles d'une montre, le couple (courant) fourni par la commande augmente.

SÉLECTION D'ENTRÉE DU TACHYMÈTRE - Régulé en usine à 3V par 1000 tours par minute, sélectionnable par cavalier (JU3) à 7V par 1000 tours minute. Reportez-vous à la section "Rétroaction du tachymètre" au chapitre "Modifications de la commande" pour de plus amples renseignements.

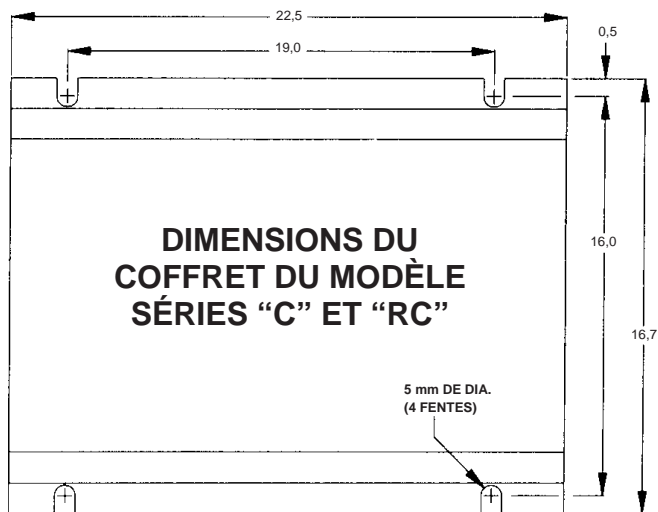
BORNIER P1 - Le bornier à cloisons permet de raccorder des lignes CA, les fils du moteur (si nécessaire), de l'alimentation et de la mise à la terre.

BORNIER P2 - Le bornier à cloisons permet de raccorder le potentiomètre et tout autre accessoire et/ou des câbles cavaliers contrôlant le mécanisme de commande.

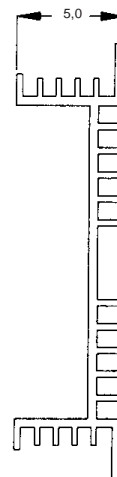
RELAIS - (Relais en cas d'interruption de la source d'énergie) Disponible uniquement sur les versions "RC" et "RE", le relais permet de basculer sur du courant CA en cas de faible intensité du signal. Pour la version "RE", le relais ne permettra pas la mise en marche après une panne de courant sans démarrer à nouveau manuellement.



DIMENSIONS GÉNÉRALES (en centimètres)

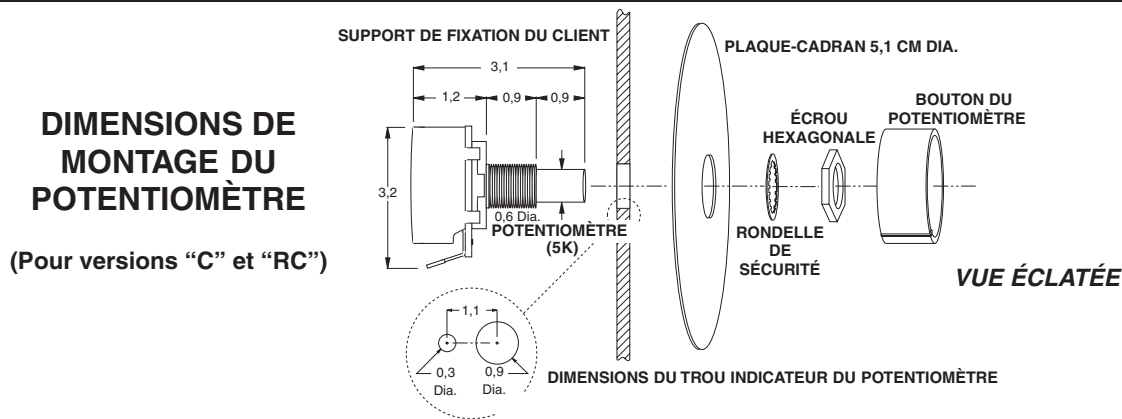
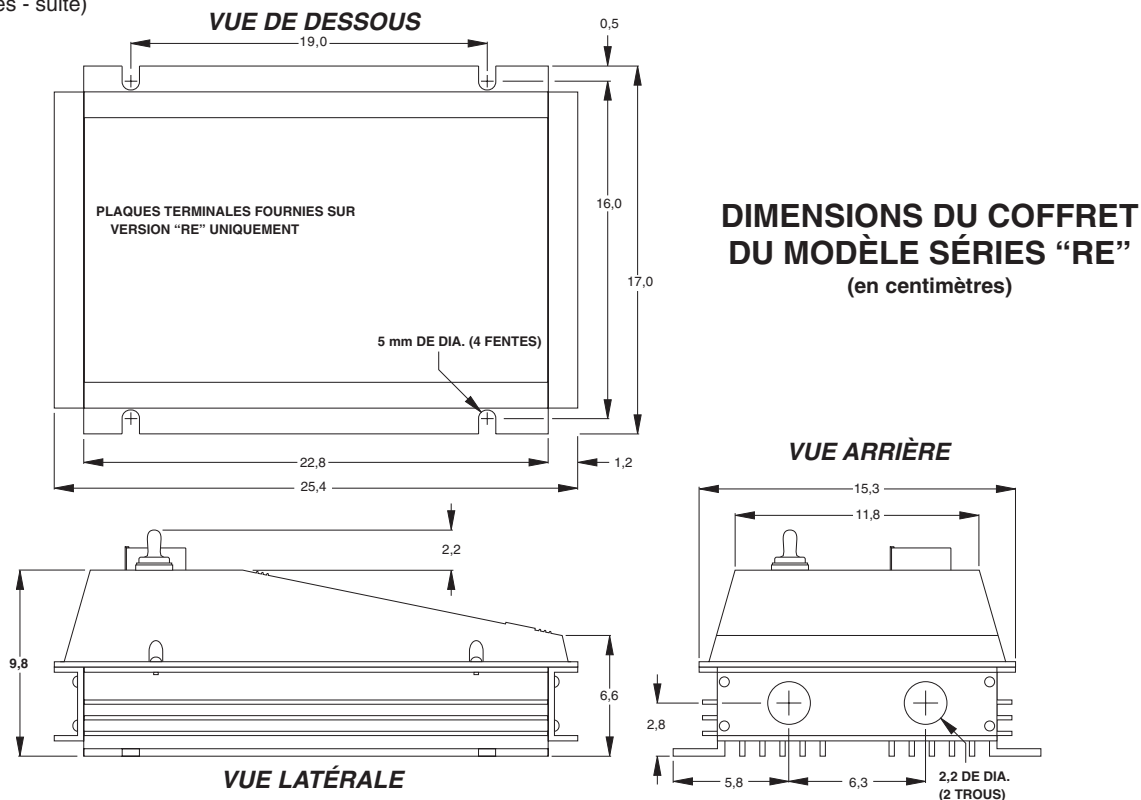


VUE DU DESSOUS



VUE ARRIÈRE

(Dimensions générales - suite)



NE PAS MONTER LA COMMANDE SI LA TEMPÉRATURE AMBIANTE N'EST PAS COMPRISE AU SEIN D'UNE PLAGE ALLANT DE -10½C (15½F) À 45½C (115½F).

INSTRUCTIONS DE MONTAGE

1. Quatre fentes d'un diamètre de 5 mm sont fournies pour le montage de la commande.
2. Le châssis de la commande Série 530B peut être utilisé comme gabarit.
3. Utilisez du matériel standard pour le montage.
4. Pour la version "RE" SEULEMENT: Il existe deux trous de 2,2 cm dans une plaque terminale afin de faciliter le câblage. Ceci permet de raccorder facilement un conduit de 1,2 cm.

REMARQUE: Pour les modèles protégés (sous carter) fonctionnant avec des moteurs à 1 hp de 90V ou de 2 HP de 180V, la commande DOIT être montée verticalement.

ATTENTION:
N'ESSAYEZ PAS D'EFFECTUER D'ESSAI DIÉLECTRIQUE À TRAVERS LES LIGNES C.A. LORSQUE LA COMMANDE EST DANS LE CIRCUIT.
LA COMMANDE SERA IMMÉDIATEMENT ET IRRÉMÉDIABLEMENT ENDOMMAGÉE.

PROCÉDURE DE RACCORDEMENT

1. Utilisez les calibres de fils appropriés pour transporter le courant de l'induit et de l'armature EN RESPECTANT LES NORMES NATIONALES, FÉDÉRALES ET/OU LOCALES. Tous les autres fils peuvent avoir un calibre #20AWG ou inférieur, en fonction du code local.
2. Le fil de la commande (Potentiomètre, Tachymètre, etc.) devrait être bien séparé des fils de l'Induit, de l'Alimentation (si à enroulement de dérivation) et des fils CA lorsque passant par des conduits. La version protégée comporte deux trous sur une des plaques terminales à cette fin.

RACCORDEMENT DU BORNIER - P1

ATTENTION: VEILLER À CE QUE LE BOÎTIER DE LA COMMANDE SOIT CORRECTEMENT MIS À LA TERRE.

La Série 530B utilise un bornier à cloisons à 7 positions afin de pouvoir effectuer les connexions.

- P1-1 (MISE À LA TERRE)** - Mettez la commande à la terre en raccordant le fil de terre à cette borne. REMARQUE: Les bornes P1-5 (- ARM) et (P2-2 (AMP REF) sont électriquement les mêmes. C'est en effet le point de référence commun (commun à faible tension) pour la logique de la commande. La borne de MISE À LA TERRE (P1- 1) est électriquement différente du fil commun. Si vous les raccordez ensemble au niveau de l'amplificateur ou de toute autre manière, vous risquez une électrocution grave voire mortelle et la commande SERA irrémédiablement endommagée
- P1-2 (CA1) 115 VCA** - Raccordez la phase CA en entrée (fil noir) à cette borne. REMARQUE: Ce dernier comporte un fusible (F1) sur la commande.
(CA1) 230 VCA - Raccordez l'un ou l'autre des côtés sous tension.
- P1-3 (CA2) 115 VCA** - Raccordez le fil neutre AC (fil blanc) à cette borne. REMARQUE: Ce dernier comporte un fusible (F2) sur la commande.
(CA2) 230 VCA - Raccordez l'un ou l'autre des côtés sous tension.
- P1-4 (ARM +)** - Raccordez au fil positif (+) de l'induit sur le moteur. 0-90 VCC pour une entrée de 115 VCA ou 0-180 VCC pour une entrée de 230 VCA. Voir "SPÉCIFICATIONS" pour la puissance de sortie nominale.

ATTENTION: LES RACCORDEMENTS ARM (INDUIT) NE DOIVENT PAS ÊTRE COMMUTÉS OU INTERROMPUS PENDANT QUE LA COMMANDE EST SOUS TENSION. DE SÉRIEUX DÉGÂTS PEUVENT EN DÉCOULÉS.

- P1-5 (ARM-)** - Raccordez le fil négatif (-) de l'induit situé (également considéré comme fil commun du circuit) sur le moteur.
- P1-6 (ALIMENTATION-)** - Raccordez au fil (-) de l'alimentation pour un moteur à enroulement de dérivation (ne pas utiliser avec un moteur à aimants permanents).

TABLE DES TENSIONS		
No. du Modèle	Entrée VCA	Alimentation VCC
Série 530B	115	100
	230	200

- P1-7 (ALIMENTATION +)** À NE PAS UTILISER avec un moteur à aimants permanents. Fournit l'alimentation+ pour un moteur à enroulement de dérivation. Consultez la table des tensions pour des moteurs bitension à enroulement de dérivation. Cette sortie est pour 1 Amp maximum pour les commandes de la Série 530B et 1.5 Amps pour la commande de la Série 533B. Pour les moteurs bitension (50/100V ou 100/200V) assurez-vous que la valeur la plus élevée est raccordée.

RACCORDEMENT DU BORNIER - P2

La Série 500 utilise un bornier à cloisons à 13 positions afin de pouvoir effectuer les connexions.

ATTENTION: AUCUNE DES BORNES P2 NE DEVRAIT ÊTRE MISE À LA TERRE

- P2-1 (INDICATEUR DE SURTENSION)** - Peut être utilisé afin d'indiquer que la commande se trouve au niveau de la limite de tension. Il peut également avertir d'autres dispositifs ou alarmes. Il s'agit d'un signal à logique de faible niveau qui s'intensifie lorsque l'amplificateur limiteur de courant se trouve au niveau de la limite de courant. La logique de cette commande se trouve à +12 volts, alors que la sortie à cette borne est environ 1.5 volts par le biais d'une résistance de 1000Ω en limite de courant.
- P2-2 (AMP REF)** - Il s'agit du point commun de la logique. Il est utilisé comme "commun" avec l'INDICATEUR DE SURTENSION (OVER CURRENT OUT) (P2-1), TACHYMÈTRE + (P2-9), REV 1 (P2-7), REV 2 (P2-8) et le CURSEUR (P2-4). REMARQUE: Ne raccordez jamais cette borne à la terre!! Vous risquez de sérieusement endommager la commande et de gravement vous blesser!! Cette borne est électriquement la même que ARM- (P1-5).
- P2-3 (POTENTIOMÈTRE DE VITESSE LO)** - Raccorde le coté inférieur (fil orange) du potentiomètre 5K (normalement le coté allant dans le sens contraire des aiguilles d'une montre). Cette entrée est élevée et abaissée par le potentiomètre MIN. L'entrée électronique de la vitesse (l'étage suiveur de tension) peut être référencée au potentiomètre LO si les réglages du potentiomètre MIN doivent être actifs. Dans le cas contraire, les entrées peuvent être référencées à AMP REF (P2-2) qui contourneront le potentiomètre MIN. L'ENTRÉE NE DOIT PAS ÊTRE MISE À LA TERRE!

MISE EN GARDE CONCERNANT L'UTILISATION D'UN SUIVEUR DE TENSION: LE RACCORDEMENT D'ENTRÉE AU POTENTIOMÈTRE NE DOIT PAS ÊTRE MIS À LA TERRE!! UNE ENTRÉE MISE À LA TERRE RISQUE DE SÉRIEUSEMENT ENDOMMAGER LA COMMANDE.

- P2-4 (CURSEUR DU POTENTIOMÈTRE DE VITESSE)** - Se raccorde au curseur (fil rouge) du potentiomètre (fil central). Utilisez cette entrée pour le côté (+) pour les applications du suiveur de tension ou du suiveur de tension du tachymètre. Le côté (-) se raccorde à AMP REF (P2-2). L'ENTRÉE NE DOIT PAS DÉPASSER +12V MAXIMUM ET NE DOIT PAS ÊTRE MISE À LA TERRE!
- P2-5 (POTENTIOMÈTRE DE VITESSE HI)** - Se raccorde au côté supérieur (fil blanc) du potentiomètre (coté allant dans le sens des aiguilles d'une montre). +12 volts interne. L'ENTRÉE NE DOIT PAS ÊTRE MISE À LA TERRE !!!
- P2-6 (LIBRE)** - Cette borne n'est pas raccordée au circuit de commande. Elle peut être utilisée comme borne pour des modifications d'alimentation sur site.

P2-7 (REV 1) - REV 1 et REV 2 sont de entrées identiques à arrêt rapide. Une des deux doit être maintenue basse (vers AMP REF) avant de faire fonctionner la commande. Toutes deux sont séparées par des diodes afin de former une porte "OR". Étant donné que ARM- (P1-5) est également bas dans le système, ces deux entrées peuvent être raccordées au côté moteur d'un interrupteur ou d'un relais. Pendant la période de commutation, aucune des entrées ne sera basse, ce qui ramenera instantanément la vitesse pré-réglée à zéro et remettra la rampe d'accélération.

P2-8 (REV 2) - Identique à REV 1 (P2-7).

P2-9 (TACH +) - Raccordez TACH + à partir d'un tachymètre CC pour une rétroaction du tachymètre. Le fil (-) du tachymètre se raccorde à AMP REF (P2-2). La tension de sortie du tachymètre à pleine puissance peut être entre 6 et 50 volts. L'échelle est corrigée à l'aide du réglage de 3V/7V par 1000 tours-minute sélectionnable par cavalier et du potentiomètre de vitesse MAX. Utilisez un tachymètre de 3 volts à 1000 tours-minute OU 7 volts à 1000 tours-minute.

P2-10 (VOYANT TÉMOIN) - Point de raccordement pour voyant témoin au néon de marche-arrêt. Le conducteur restant peut être raccordé à P2-11

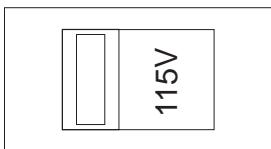
P2-11 (ARRÊT) - Installez un ou plusieurs interrupteurs d'arrêt normalement fermé(s) (en série) entre ARRÊT (P2-11) et COMMUN (P2-12). Non actif sur la version "C".

P2-12 (COMMUN) - Point intermédiaire des interrupteurs de Marche-Arrêt. Non actif sur la version "C".

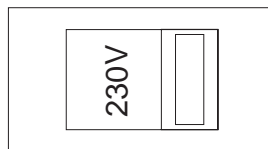
P2-13 (MARCHE) - Installez un ou plusieurs interrupteurs d'arrêt normalement ouvert(s) (en parallèle) entre MARCHE (P2-13) et COMMUN (P2-12). Non actif sur la version "C".

RÉGLAGE D'ENTRÉE VCA

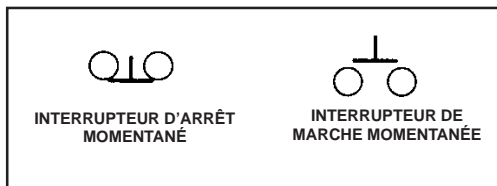
Pour toute utilisation avec des entrées de 110 à 130 VCA, glissez le sélecteur de tension d'entrée de 115/230VCA complètement vers la gauche comme indiqué ci-dessous à gauche. Pour toute utilisation avec des entrées de 208 à 240 VCA, glissez même sélecteur complètement vers la droite comme indiqué ci-dessous à droite.



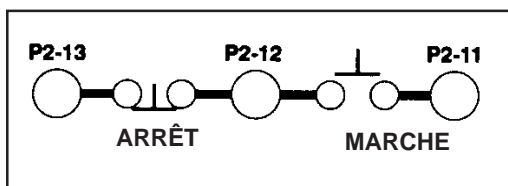
Remarque:
Tout réglage incorrect du sélecteur de tension VCA endommagera la commande.



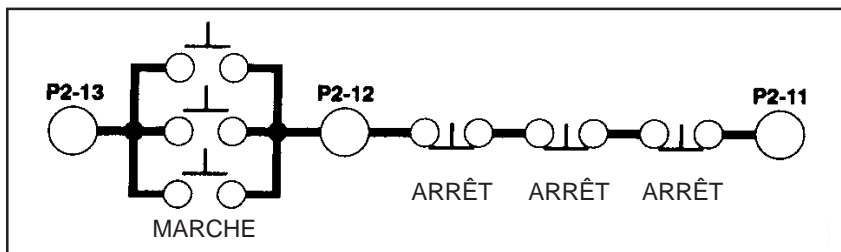
DIAGRAMMES D'INTERRUPTEUR EN ESCALIER



CÂBLAGE MARCHE-ARRÊT



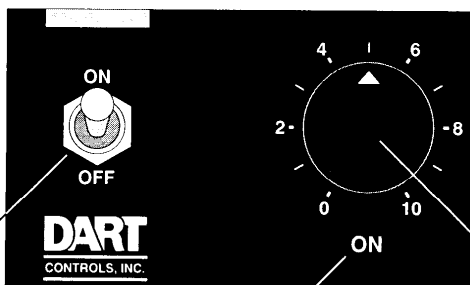
MARCHE - ARRÊT (À 3 STATIONS)



Avertissement:
Ce schéma est UNIQUEMENT pour les versions "RC" et "RE". NE PAS UTILISER sur version "C".

ÉLÉMENTS DU TABLEAU DE COMMANDE "RE"

INTERRUPTEUR DE MARCHE-ARRÊT
L'INTERRUPTEUR À ACTION MOMENTANÉE ALLUME ET ÉTEINT LA COMMANDE



VOYANT DE MISE SOUS TENSION
VOYANT TÉMOIN LED CACHÉ

POTENTIOMÈTRE DE VITESSE
POTENTIOMÈTRE 5000Ω 2W CONTRÔLE LA VITESSE DU MOTEUR

MISE EN ROUTE

1. Vérifiez que le sélecteur de tension 115/230VAC se trouve bien sur la tension d'entrée désirée.
2. Vérifiez le câblage. Des mises à la terre accidentelles, des fils lâches ou pincés sur les fils de l'induit ou des potentiomètres peuvent endommager la commande lorsqu'elle est mise sous tension.
3. Voir "PROCÉDURE DE RÉGLAGE" et suivez les AVERTISSEMENTS concernant la retrait du couvercle pour les réglages.
4. Réglez les potentiomètres en fonction de votre puissance HP à l'aide du "TABLEAU DE RÉGLAGE DU POTENTIOMÈTRE". REMARQUE: Les options risquent de modifier les réglages du potentiomètre de ce tableau. Si votre commande comporte une option, veuillez à lire attentivement la section "OPTIONS" concernant votre option.
5. Tournez le potentiomètre à zéro (complètement dans le sens contraire à celui des aiguilles d'une montre).
6. Mettez la commande sous tension et avancez le potentiomètre tout en observant le moteur.
7. Si la rotation du moteur est incorrecte, coupez l'alimentation à la déconnexion externe et inversez les connexions ARM+ et ARM-.
8. Si le fonctionnement est satisfaisant, aucun réglage supplémentaire n'est nécessaire.
9. Si vous observez une instabilité ou une surcharge quelconque, ou si la vitesse maximum est plus élevée que celle voulue, consultez la rubrique "RÉGLAGE DES POTENTIOMÈTRES".
10. Pour tout autre problème, consultez "En cas de difficulté".

AVERTISSEMENT:

LORSQUE VOUS EFFECTUEZ UN RÉGLAGE, VEILLES À TOUJOURS UTILISER UN TOURNEVIS AVEC UN MANCHE ISOLÉ AFIN D'ÉVITER DE COURT-CIRCUITER LES ÉLÉMENTS DE LA CARTE À CIRCUITS IMPRIMÉS. CHAQUE FOIS QUE VOUS RETIREZ LE COUVERCLE, VEILLES À LE SOUTENIR AFIN D'ÉVITER TOUT CONTACT ACCIDENTEL ENTRE LE CHÂSSIS DE LA COMMANDE ET LES ÉLÉMENTS SOUS TENSION DU COUVERCLE.

PROCÉDURE DE RÉGLAGE DU POTENTIOMÈTRE

Quatre réglages (MIN, MAX, I.R. COMP, et CUR LIM) sont vérifiés à l'usine à l'aide d'un moteur typique. Utilisez la TABLE DE RÉGLAGE DU POTENTIOMÈTRE afin de pré-régler les potentiomètres en fonction de votre puissance en HP. Les deux autres réglages (ACCEL et DECEL) sont les réglages d'accélération et de décélération et devraient être réglés en fonction de votre application. Les réglages de la TABLE DU POTENTIOMÈTRE sont approximatifs et sont valides lorsque vous utilisez le potentiomètre ou un signal d'entrée de 0 à 12VCC pour contrôler la vitesse. Il n'est pas recommandé d'utiliser la commande au-delà d'une valeur $\pm 10\%$ de la tension de ligne normale et des réglages s'avéreront dans doute nécessaires. Ces réglages sont permanents; des réglages périodiques ne sont normalement pas requis. (REMARQUE: Utilisez uniquement un voltmètre non-mis à la terre).

MAX Règle la vitesse maximum du moteur lorsque le potentiomètre est réglé à son maximum (rotation à 100% dans le sens des aiguilles d'une montre). En tournant le potentiomètre dans le sens des aiguilles d'une montre, vous augmentez la vitesse maximum du moteur.

- 1) Coupez l'alimentation de commande!
- 2) Connectez un voltmètre CC: plus à ARM+, moins à ARM-.
- 3) Réglez la plage de tension du compteur sur 90 VCC ou 180 VCC.
- 4) Sans charge alimentant le moteur, réglez le potentiomètre MAX à la tension nominale de l'induit indiqué par le compteur.

REMARQUE: Vous pouvez utiliser un tachymètre ou un stroboscope à la place d'un compteur. Suivez les étapes ci-dessus, mais réglez le potentiomètre MAX à la vitesse nominale de base indiquée par le tachymètre ou le stroboscope.

MIN Règle la vitesse minimum du moteur lorsque le potentiomètre est à zéro. En tournant le potentiomètre MIN dans le sens des aiguilles d'une montre, vous augmentez la vitesse minimum du moteur.

- 1) Réglez le potentiomètre à 0 (à fond dans le sens contraire des aiguilles d'une montre).
 - 2) Sans charge alimentant le moteur, réglez le potentiomètre MIN dans le sens des aiguilles d'une montre jusqu'à ce que le moteur se mette en route.
 - 3) Tournez lentement le potentiomètre dans le sens contraire à celui des aiguilles d'une montre jusqu'à l'arrêt du moteur.
- REMARQUE: Si le moteur doit tourner à 0, tournez le potentiomètre MIN dans le sens des aiguilles d'une montre jusqu'à ce que la vitesse minimum désirée soit atteinte.

I.R. COMP. Fournit un moyen d'améliorer la régulation de la vitesse du moteur dans le mode de retour de l'induit. Si vous n'êtes pas concerné par un ralentissement dû à un changement de charge, tournez ce potentiomètre à fond dans le sens contraire à celui des aiguilles d'une montre.

1. Réglez le potentiomètre à 50%.
2. Observez la vitesse du moteur sans charge.
3. Appliquez une pleine charge au moteur.
4. Tournez le potentiomètre IR COMP dans le sens des aiguilles d'une montre (lorsque la charge est appliquée) pour obtenir la même vitesse que sans charge.

CUR. LIM. Limite le courant CC de l'induit (couple) afin d'éviter d'endommager le moteur ou la commande. Le limiteur de courant est réglé sur 125% du courant nominal du moteur. Si vous tournez le potentiomètre dans le sens des aiguilles d'une montre, le courant de l'induit augmente (ou produit le couple)

1. Mettez le moteur hors tension (OFF)!!
2. Connectez un ampèremètre CC avec la ligne +ARM (entre +A sur le moteur et ARM+ sur la commande). Réglez le potentiomètre limiteur de courant en tournant dans le sens contraire à celui des aiguilles d'une montre.
3. Remettez le courant et réglez le potentiomètre à 50 %
4. Augmentez la charge du moteur jusqu'à ce que le moteur cale (0 tr/min).
5. Réglez le potentiomètre CUR LIM dans le sens des aiguilles d'une montre à 125% du courant nominal d'induit (VOIR "TABLEAU DE RÉGLAGE DU POTENTIOMÈTRE").

ACCEL Permet à l'utilisateur de régler l'accélération.

1. Tournez le potentiomètre dans le sens des aiguilles d'une montre afin d'augmenter le temps d'accélération nécessaire pour que la commande atteigne sa pleine vitesse.

DECEL Permet à l'utilisateur de régler la décélération.

1. Tournez le potentiomètre dans le sens des aiguilles d'une montre afin d'augmenter le temps de décélération nécessaire pour que la commande atteigne une vitesse zéro.

TABLE DE RÉGLAGE DU POTENTIOMÈTRE

MIN	ACCEL	DECEL	MAX	I.R.	CUR LIM	HP	VOLTS	MIN	ACCEL	DECEL	MAX	I.R.	CUR LIM	HP	VOLTS
						1/8	115							1/4	230
						1/6	115							1/3	230
						1/4	115							1/2	230
						1/3	115							3/4	230
						1/2	115							1.0	230
						3/4	115							1.5	230
						1.0	115							2.0	230
						1.5	115							3.0	230

REMARQUES: Ces réglages s'appliquent à un potentiomètre principal de 5000 ohms. Cette table ne peut pas être utilisée avec certaines options (reportez-vous à la section "Options").

1.5 ET 3.0 PUISSANCE HP - MODÈLE 533BC

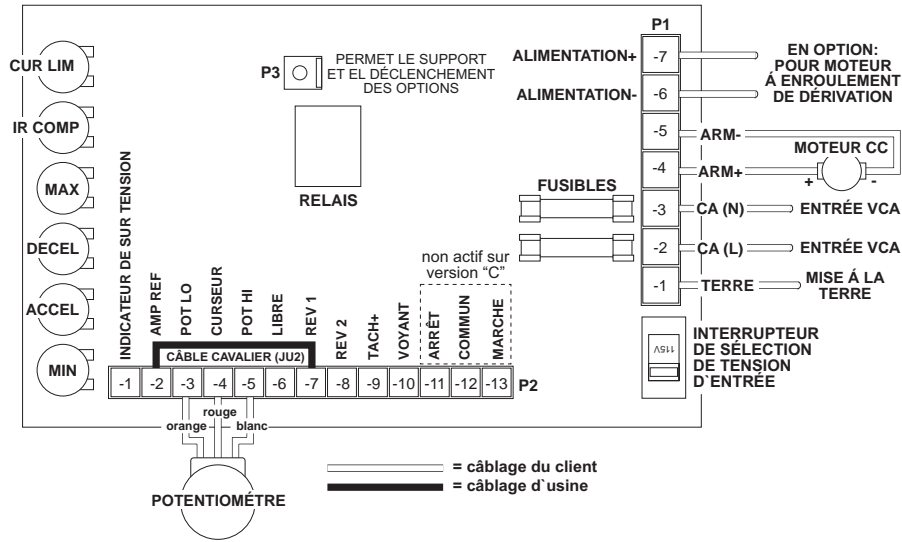
La commande de la Série 533B pour des applications à 1.5 et 3.0 HP présente les restrictions suivantes:

- Disponible uniquement montée sur châssis (C).
- Le modèle d'une puissance de 1.5 HP est disponible avec une entrée de 115 VCA et une sortie de 0 à 90 VCC, et le modèle d'une puissance de 3.0 est disponible avec une entrée de 230 VCA et une sortie de 0 à 180 VCC.
- Relais, marche-arrêt, inversion, freinage rhéostatique et fonctionnement par à-coups ou impulsions non disponibles à partir de l'usine (ils doivent être fournis par le client et câblés par ce dernier).
- Les plaques d'isolation (options -5 et -7) sont disponibles.

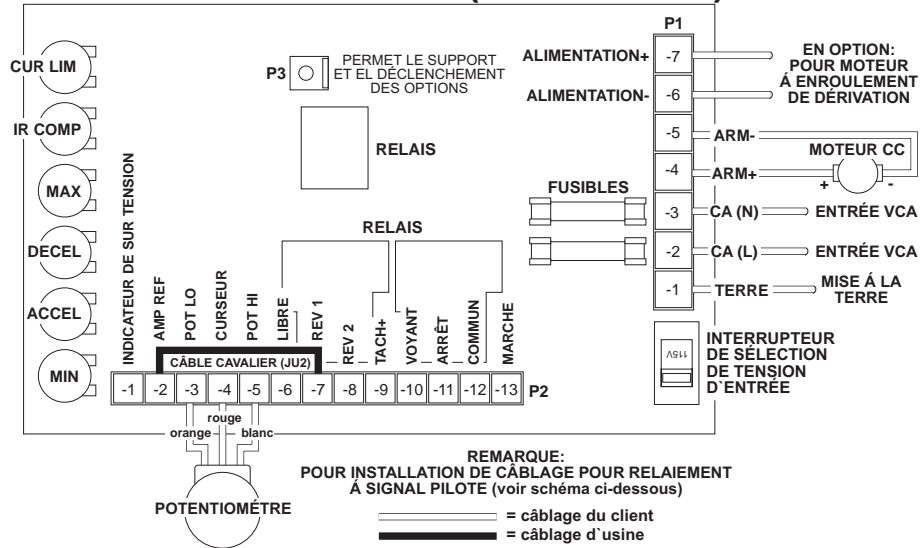
SCHÉMAS D'INSTALLATION DE BASE SANS OPTIONS

(Si votre commande comporte des options, voir la section de ce manuel consacrée aux options)

Modèles 530BC et 533BC (version "C")

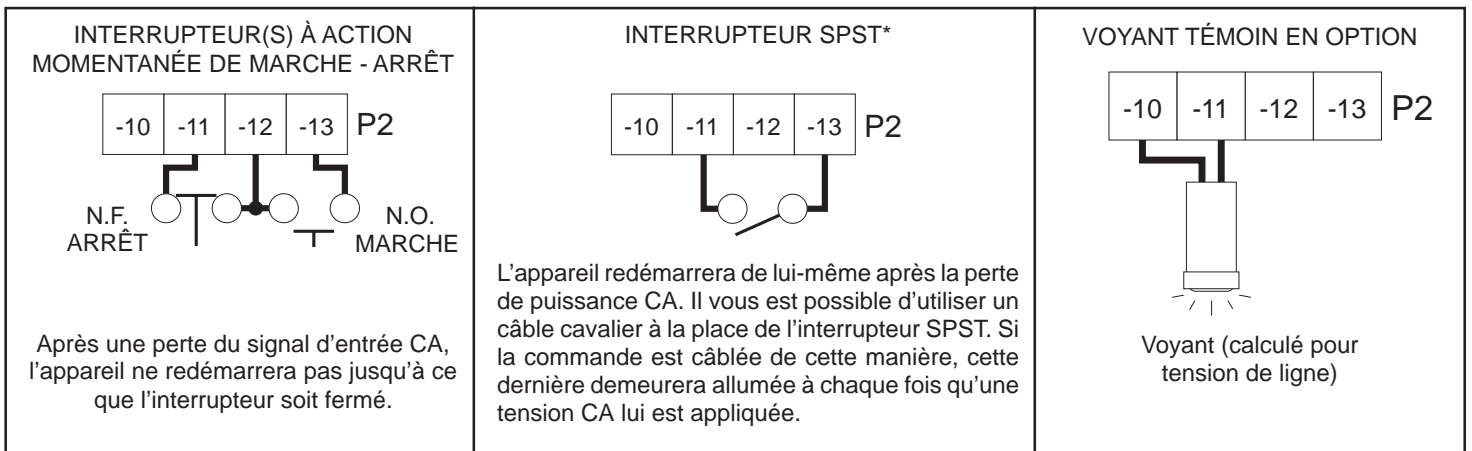


Modèle 530BRC (version "RC")



COMMUTATION ET RELAIEMENT À SIGNAL PILOTE

(Câblage fourni par le client pour version "530BRC")



Modèle 530BRE (version "RE")

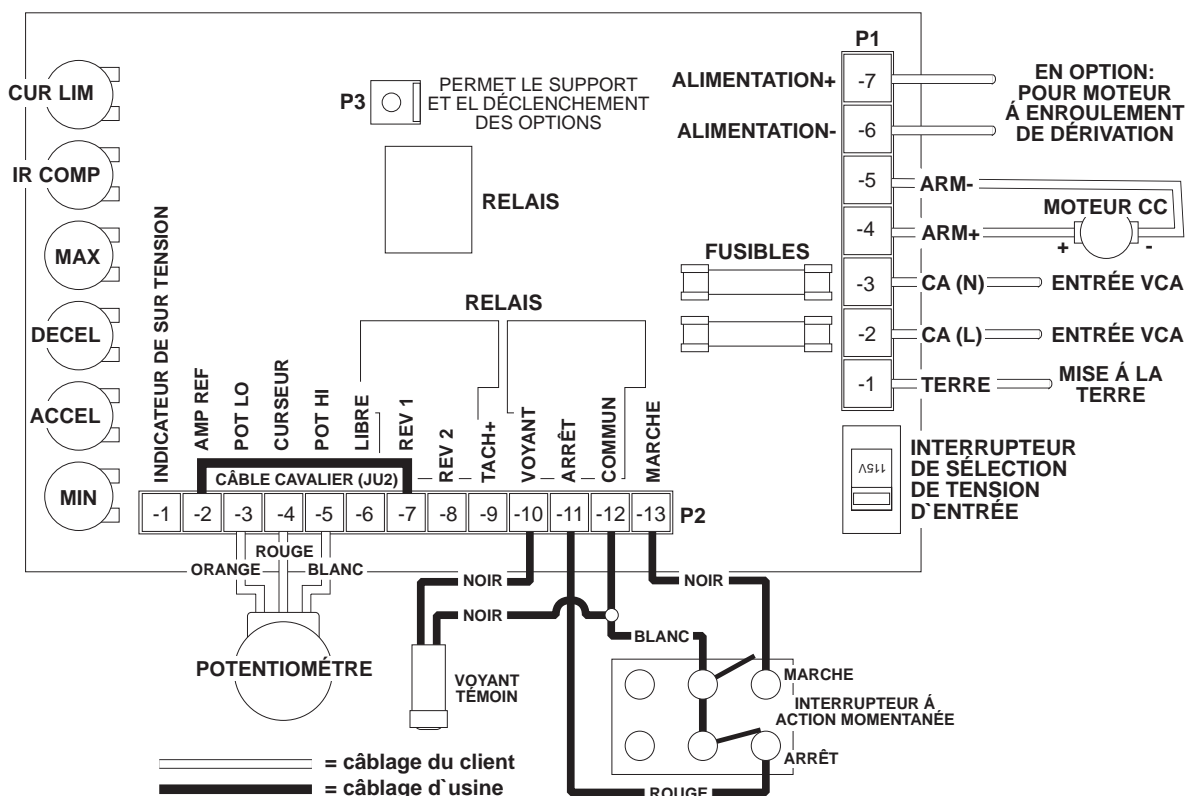


TABLEAU DE SÉLECTION DU CÂBLE CAVALIER JU2

REMARQUE: Des câbles cavaliers risquent de s'avérer nécessaires sur le bornier P2 afin que la commande puisse fonctionner (reportez-vous au tableau ci-dessous).

Comme il a déjà été expliqué à la section "QUESTIONS LES PLUS SOUVENT POSÉES PAR L'UTILISATEUR", REV 1 (P2-7) et REV 2 (P2-8) sont toutes deux des entrées d'arrêt (commandes d'arrêt). Une de ces entrées doit être maintenue basse à AMP REF (P2-2) pour que la commande puisse fonctionner. Il est nécessaire de placer un câble cavalier entre AMP REF et REV 1 ou REV 2 afin de satisfaire la porte "OR". Il vous est possible d'installer une carte à options sur la commande satisfaisant la porte "OR". Ce cavalier (entre P2-2 et P2-7) s'appelle JU2. Pour une inhibition à démarrage en douceur et à arrêt rapide, le cavalier JU2 peut être remplacé par un interrupteur SPST.

OUI = CAVALIER REQUIS

NON = CAVALIER NON-REQUIS

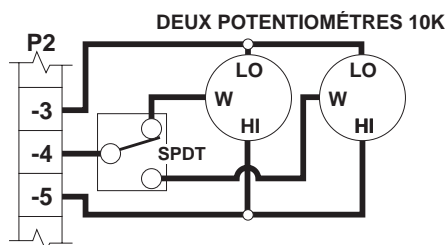
OPTION	DESCRIPTION	NO. DE PAGE	CAVALIER	"C"	"RC"	"RE"
AUCUNE	CONTRÔLE DES STOCKS	9-10	JU2	OUI	OUI	OUI
-4	MARCHÉ INTERMITTENTE	11	JU2	OUI	OUI	OUI
-5/-7	SUIVEUR DE TENSION	12-13	JU2	OUI	OUI	OUI
-36M/-38M	AVANT / ARRIÈRE avec ZÉRO VITESSE et D.B.R.	14-15	JU2	NON	NON	NON

REMARQUE: L'installation d'un cavalier JU2 lorsque ce dernier ne s'avère pas nécessaire risque d'endommager la commande de façon définitive.

MODIFICATIONS DE LA COMMANDE

FONCTIONNEMENT À DEUX VITESSES

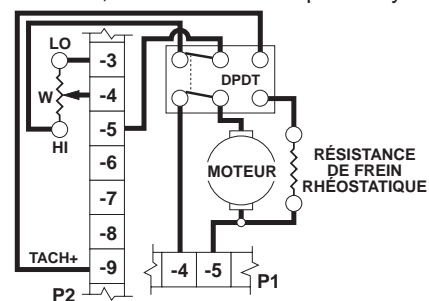
Le fonctionnement à deux potentiomètres est effectué en utilisant deux potentiomètres de vitesse de 10 Kohms en parallèle (les deux HI sur P2-5, les deux LO sur P2-3). Le CURSEUR est commuté à l'aide d'un interrupteur unipolaire bidirectionnel (SPDT).



FREINAGE RHÉOSTATIQUE

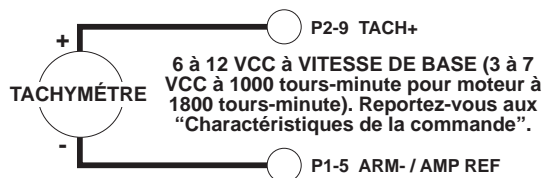
Un interrupteur bipolaire bidirectionnel (DPDT) est utilisé pour inhiber la commande et connecter la résistance de freinage rhéostatique (DBR). Les valeurs typiques pour cette résistance (DBR) sont 5 ohms pour 115V et 10 ohms pour 230V (les deux de 35 à 50 W). Il est à noter que la puissance du moteur, l'inertie et le temps de cycle agissent sur l'étalonnage de la résistance DBR.

REMARQUE: Sur l'option -15A, Decel doit être tourné complètement dans le sens contraire à celui des aiguilles d'une montre afin d'être utilisé avec la résistance de freinage rhéostatique.



RÉTROACTION DU TACHYMÈTRE

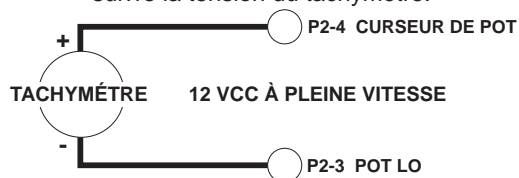
Améliore la régulation de vitesse jusqu'à $\pm 1/2\%$ de la vitesse de base.



REMARQUE: ONDULATION DE SORTIE DU TACHYMÈTRE À 1% OU MOINS.

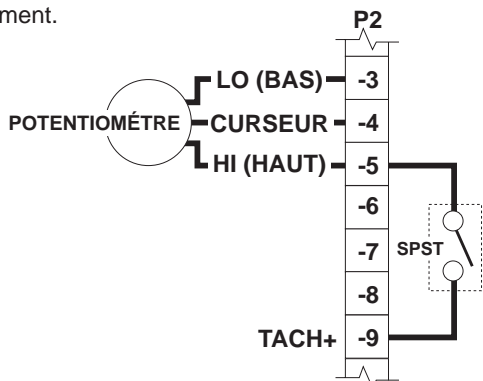
SUIVEUR DE TENSION DU TACHYMÈTRE

Permet à la sortie de la commande de suivre la tension du tachymètre.



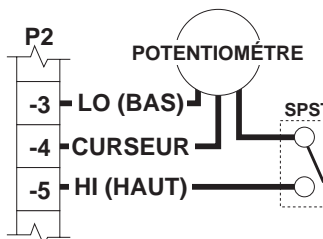
INHIBITION (UTILISÉE INDÉPENDAMMENT)

L'interrupteur SPST fourni par le client est raccordé en série entre le potentiomètre HI (P2-5) et la broche du tachymètre (TACH+) (P2-9). Pour invalider, le potentiomètre HI est fermé pour la broche du tachymètre (TACH+). Pour le redémarrage, l'interrupteur repasse à ouvert. REMARQUE: Cette commande s'arrêtera et démarrera rapidement.



INHIBITION (UTILISÉE POTENTIOMETRE)

Le fil SPDT fourni par le client est raccordé en série entre la borne du potentiomètre HI (P2-5) et le potentiomètre HI. Pour inhiber, les contacts de l'interrupteur SPST sont ouverts. Pour redémarrer, l'interrupteur bascule à nouveau sur la position fermé. REMARQUE: La commande s'arrêtera et démarrera en suivant une faible plage d'accélération.



REMARQUE: Permet de démarrer et d'arrêter le moteur sans avoir à couper les lignes CA. En cas de panne de thyristor ou d'un déclenchement intempestif, le circuit d'inhibition n'arrêtera pas le moteur.

Veillez à toujours utiliser un câble blindé lorsque vous effectuez un raccordement à la borne d'inhibition. Le blindage devrait être raccordé à l'Armature- (induit) ou au câble Commun de la commande.

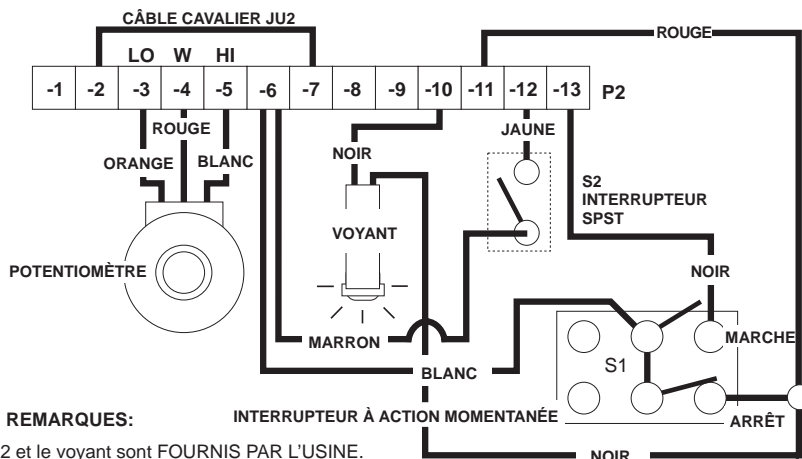
OPTIONS

REMARQUE: Toutes les options sont précisées par un suffixe sur le numéro du modèle. Le suffixe est précédé d'un tiret (-). Les options les plus courantes sont décrites aux pages suivantes. Lorsque l'on utilise deux options ou plus, la procédure de câblage sera plus complexe et ce manuel ne pourra pas vous aider. Veuillez contacter votre distributeur ou votre représentant.

Option -4 Marche Intermittente

Voir ci-dessous pour son installation et sa disponibilité

Cette option est installée en usine sur la version "RE" uniquement. "S2" se trouve sur le cache de protection et invalide le circuit de verrouillage des relais de puissance permettant ainsi à l'interrupteur d'alimentation de faire fonctionner le mécanisme de commande par à-coups. L'interrupteur et le câblage est fourni par l'utilisateur sur les versions "C" et "RC". De plus, le relais est également fourni par l'utilisateur sur la version "C".



REMARQUES:

Pour la version "RE", S1, S2 et le voyant sont FOURNIS PAR L'USINE.

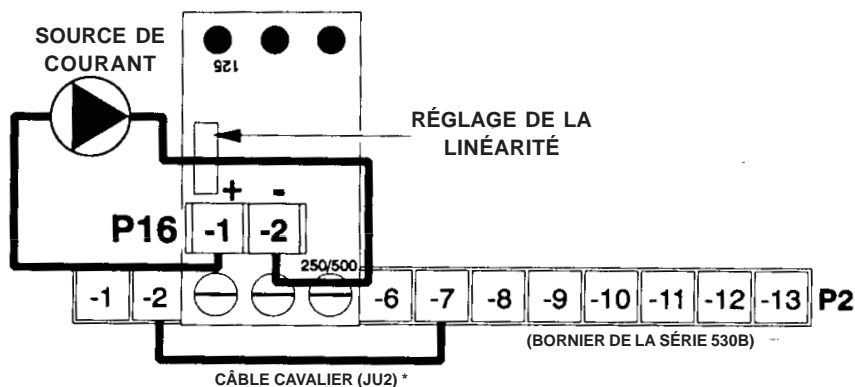
Pour les versions "C" et "RC", S1, S2 et le voyant sont FOURNIS PAR LE CLIENT.

* Ce câble cavalier n'est pas utilisé avec d'autres options. Consultez l'usine si vous comptez raccorder plus d'une option. L'utilisation d'un cavalier JU2 lorsque ce dernier ne s'avère pas nécessaire risque d'endommager la commande de façon définitive.

4 à 20mA -5

Impédance du signal d'entrée : 500 ohms ou moins

N'UTILISEZ PAS LE DIAGRAMME DU POTENTIOMÈTRE POUR LE RÉGLAGE DES POTENTIOMÈTRES MINIMUM ET MAXIMUM SUR LE PANNEAU PRINCIPAL SI DES RÉGLAGES SONT NÉCESSAIRES, REPORTEZ-VOUS À LA PROCÉDURE DE CONFIGURATION CI-DESSOUS



Cette option remplace le signal 4-20 ma. du potentiomètre de vitesse pour le contrôle de la vitesse. L'entrée du signal actuel peut être mise à la masse ou non. Le panneau se fixe sur des entretoises vissées aux terminaux P1-3, P1-4, et P1-5 sur le panneau principal, à l'aide de longues vis. La source actuelle se raccorde à la plaque à bornes à deux positions + et - (P16-1 et -2) sur le panneau à option -5.

Le potentiomètre de linéarité du panneau option -5 est réglé en usine à la linéarité adéquate, par contre, il est possible que ce potentiomètre doive être réglé de nouveau après que les réglages maximum et minimum du potentiomètre aient été syntonisés sur le contrôle pour votre application spécifique. Au besoin, reportez-vous à la procédure de configuration ci-dessous.

Réglage des potentiomètres minimum, maximum et de linéarité.

1. Prérégalez le potentiomètre de linéarité multitour sur le panneau d'option -5 complètement dans le sens horaire, réglez le potentiomètre minimum complètement dans le sens antihoraire et réglez le potentiomètre maximum à une rotation d'environ 50 %.
2. Entrez un signal actuel de 4 ma. au contrôle et tournez le potentiomètre minimum dans le sens horaire à votre tension minimale ou à zone morte (le point qui précède celui auquel vous commencez à obtenir une sortie).
3. Entrez un signal actuel de 20 ma. au contrôle et réglez le potentiomètre maximum au réglage de vitesse maximal désiré.
4. Avec 20 ma. toujours transmis au contrôle, tournez le potentiomètre de linéarité dans le sens antihoraire jusqu'à ce que votre vitesse de sortie commence à diminuer. Tournez ensuite lentement dans le sens horaire jusqu'à ce que vous atteigniez le réglage de vitesse maximum.

Pour les modèles dans un boîtier fermé, choisissez l'option -7.

***Remarque:** Ce câble cavalier ne s'utilise avec certaines options. Consultez l'usine si plus d'une option doit être câblée. L'utilisation d'un cavalier JU2 lorsque ce dernier ne s'avère pas nécessaire risque d'endommager la commande de façon définitive.

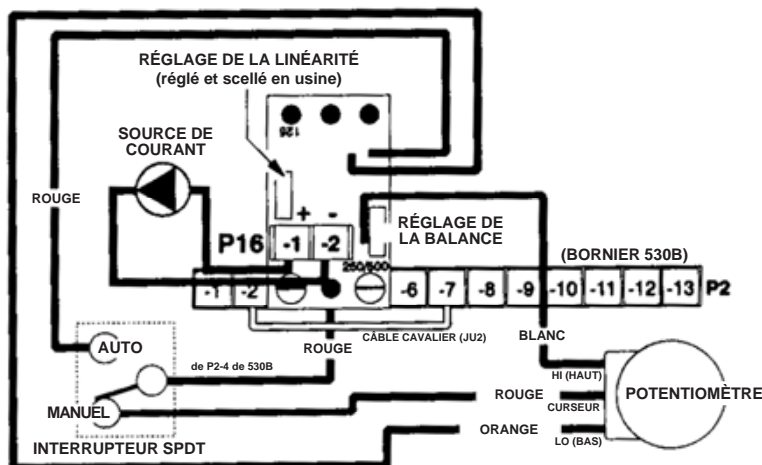
Option-7
Suiveur de signal isolé 4-20 ma.
avec interrupteur auto/manuel

Monté sur site ou en usine pour les unités sur châssis
Installé uniquement en usine sur les modèles protégés
Disponible sur tous les modèles

Impédance du signal d'entrée : 500 ohms ou moins

4 à 20mA -7

N'UTILISEZ PAS LE DIAGRAMME DU POTENTIOMÈTRE POUR LE RÉGLAGE DES POTENTIOMÈTRES MINIMUM ET MAXIMUM SUR LE PANNEAU PRINCIPAL. SI DES RÉGLAGES SONT NÉCESSAIRES, REPORTEZ-VOUS À LA PROCÉDURE DE CONFIGURATION CI-DESSOUS.



Cette option permet au contrôle d'être exécuté en mode manuel grâce à un potentiomètre de vitesse ou en mode automatique grâce au signal 4-20 ma. Le signal d'entrée actuel peut être mis à la masse ou non. Le panneau se fixe sur des entretoises vissées aux terminaux P1-1, P1-2, et P1-3 sur le panneau principal, à l'aide de longues vis. La source actuelle se raccorde à la plaque à bornes à deux positions + et - (P16-1 et -2) sur le panneau à option -7.

Cette option comprend un potentiomètre de balance utilisé pour graduer la vitesse maximale en mode manuel. Le réglage en usine veille à ce que la vitesse maximale en mode manuel soit l'équivalent de la vitesse maximale en mode automatique.

Le potentiomètre de linéarité sur le panneau option -7 est réglé en usine à une linéarité adéquate. Par contre, il est possible que ce potentiomètre doive être réglé de nouveau après que les réglages maximum et minimum du potentiomètre aient été syntonisés sur le contrôle, ou si le potentiomètre de balance sur le -7 doivent être réinitialisés pour votre application spécifique. Au besoin, reportez-vous à la procédure de configuration ci-dessous.

Réglage des potentiomètres minimum, maximum, de balance et de linéarité.

1. Préréglez le potentiomètre de linéarité multitour et le potentiomètre de balance sur le panneau d'option -7 complètement dans le sens horaire, réglez le potentiomètre minimum complètement dans le sens antihoraire et réglez le potentiomètre maximum à une rotation d'environ 50 %.
2. Entrez un signal actuel de 4 ma. au contrôle et tournez le potentiomètre minimum dans le sens horaire à votre tension minimale ou à zone morte (le point qui précède celui auquel vous commencez à obtenir une sortie).
3. Entrez un signal actuel de 20 ma. au contrôle et réglez le potentiomètre maximum au réglage de vitesse maximal désiré.
4. Commutez le contrôle en mode manuel et réglez, au besoin, le potentiomètre de balance dans le sens antihoraire à votre vitesse maximum de sortie requise. (Ajustable de 50 % à 100 % du réglage maximum en mode Auto)
5. Commutez de nouveau le contrôle de nouveau en mode auto. Avec 20 ma. toujours transmis au contrôle, tournez le potentiomètre de linéarité dans le sens antihoraire jusqu'à ce que votre vitesse de sortie commence à diminuer. Tournez ensuite lentement dans le sens horaire jusqu'à ce que vous atteigniez le réglage de vitesse maximum.

* Remarque: Ce câble cavalier ne s'utilise avec certaines options. Consultez l'usine si plus d'une option doit être câblée. L'utilisation d'un cavalier JU2 lorsque ce dernier ne s'avère pas nécessaire risque d'endommager la commande de façon définitive.

Option -11
Potentiomètre à Dix Tours

Installé sur site - article à commander séparément
Disponible sur modèles "C" et "RC" uniquement

Permet de contrôler la vitesse avec plus de précision. Cette option se monte de la même façon que le potentiomètre standard.

Option -15A
Accélération/Décélération Prolongée

Installé en usine
Disponible sur tous les modèles

Prolonge l'accélération / décélération jusqu'à 30 secondes (rampe linéaire).

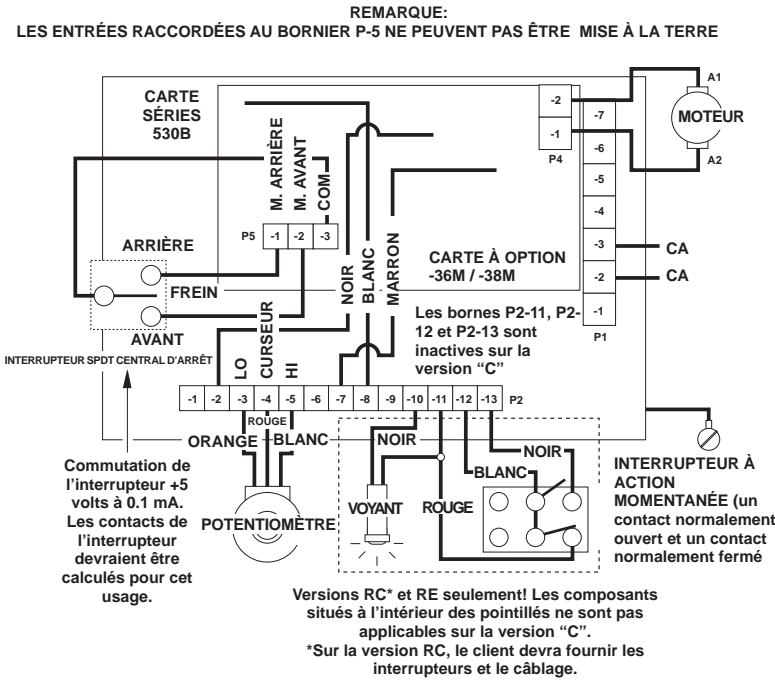
Option -36M / -38M
Marche Avant / Marche Arrière à Vitesse Zéro
Détection et Freinage Rhéostatique

Installé sur site ou en usine - voir ci-dessous
Disponible sur tous les modèles sauf le 3 HP

Option	Entrée CA	Installation	Valeur DBR	Installation DBR / Emplacement
-36M	115VCA	usine ou site	5Ω 30W	monté sur carte à options
-36MA	115VCA	usine seulement	5Ω 50W	monté en surface
-38M	230VCA	usine ou site	10Ω 30W	monté sur carte à options
-38MA	230VCA	usine seulement	10Ω 50W	monté en surface

Avertissement: Le fait d'installer cette option ne permettra plus que la plaque de la série 530B puisse être utilisée avec deux tensions. Le sélecteur d'entrée de 115/230 VCA (plaque de SÉRIE 530B) doit être réglé pour l'entrée VCA adéquate de l'option -36M/-38M devant être utilisée.

INSTALLATION DE -36M / -38M À L'AIDE DE L'INTERRUPTEUR SDPT OU CONTACT



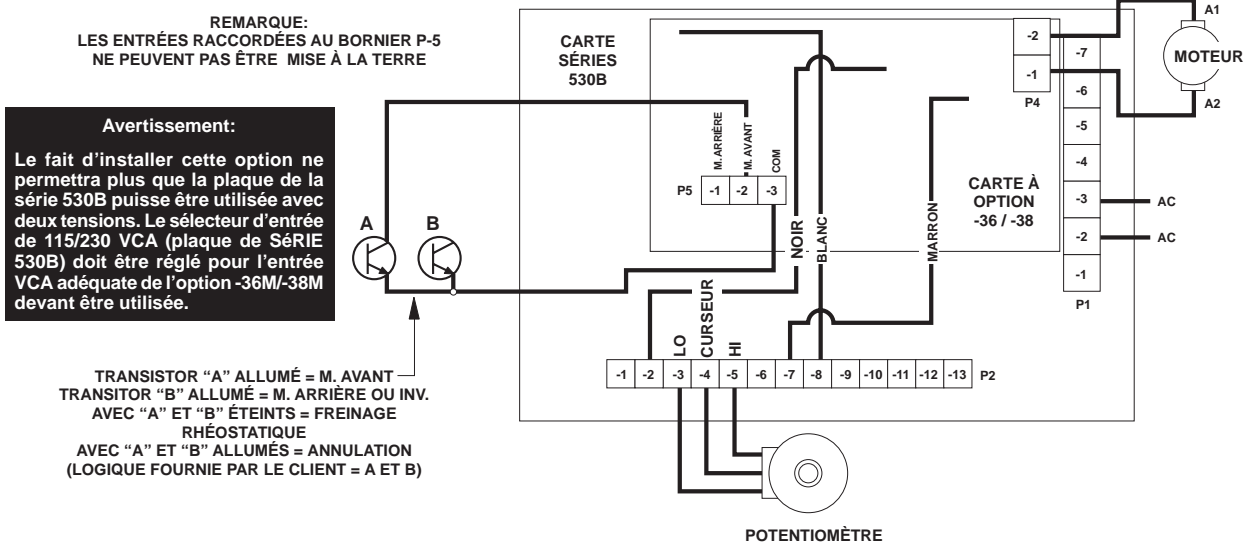
L'option -36M / -38M "freine" automatiquement afin de parvenir à une vitesse zéro avant de changer le sens de rotation. L'interrupteur SPDT central d'arrêt sert à sélectionner le sens de rotation. Lorsque l'on inverse le sens de rotation, les relais K1, K2 et K3 raccordent le frein rhéostatique à l'induit. Le moteur "freine" et à vitesse zéro les relais inverse les fils de l'induit le moteur se mettra à tourner en sens inverse. Lorsque l'interrupteur est au centre (sur STOP ou Arrêt), l'induit du moteur est raccordée à la résistance du frein rhéostatique. Cette option peut également être installée si on le fait fonctionner par l'intermédiaire d'une commande à distance.

Remarques: L'interrupteur de mise en marche est fourni par le client sur la version "RC" (voir "Schémas d'installation" pour le câblage de l'interrupteur). La version "RE" nécessite un cache de protection particulier à commander pour les options -36M ou -38M. La résistance du freinage rhéostatique est montée en fonction du modèle (voir tableau ci-dessous pour connaître l'emplacement).

IMPORTANT: NE PAS UTILISER DE CÂBLE CAVALIER JU2 avec cette option. LORS DE LA MIS À NIVEAU, JU2 DOIT ÊTRE RETIRÉ.

Pour identifier l'emplacement du cavalier JU2, voir "Schémas d'installation de base sans options".

INSTALLATION DE -36 / -38 POUR COMMANDE UNIDIRECTIONNELLE À COLLECTEUR OUVERT



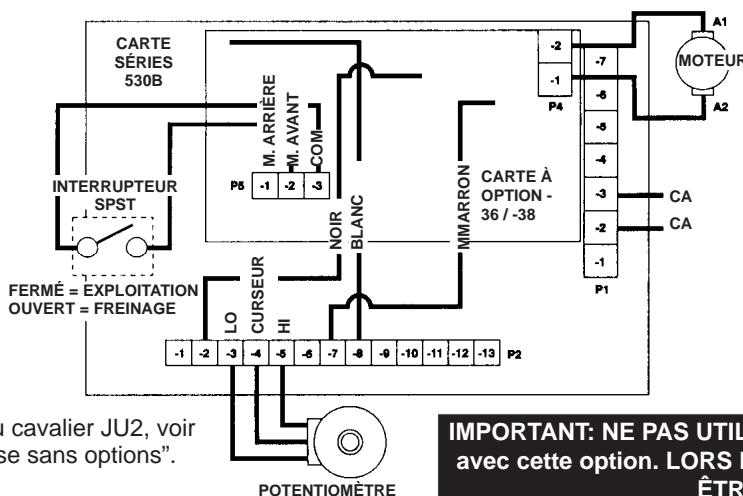
IMPORTANT: NE PAS UTILISER DE CÂBLE CAVALIER JU2 avec cette option. LORS DE LA MIS À NIVEAU, JU2 DOIT ÊTRE RETIRÉ.

Pour identifier l'emplacement du cavalier JU2, voir "Schémas d'installation de base sans options".

INSTALLATION DE -36M / -38M POUR FONCTIONNEMENT UNIDIRECTIONNELLE / FREINAGE RHÉOSTATIQUE

Avertissement:

Le fait d'installer cette option ne permettra plus que la plaque de la série 530B puisse être utilisée avec deux tensions. Le sélecteur d'entrée de 115/230 VCA (plaque de SÉRIE 530B) doit être réglé pour l'entrée VCA adéquate de l'option -36M/-38M devant être utilisée.



REMARQUE:
LES ENTRÉES RACCORDÉES AU BORNIER P-5 NE PEUVENT PAS ÊTRE MISE À LA TERRE

Pour identifier l'emplacement du cavalier JU2, voir "Schémas d'installation de base sans options".

IMPORTANT: NE PAS UTILISER DE CÂBLE CAVALIER JU2 avec cette option. LORS DE LA MIS À NIVEAU, JU2 DOIT ÊTRE RETIRÉ.

EN CAS DE DIFFICULTÉ

PROBLÈME	CAUSE(S) POSSIBLES	MESURE(S) CORRECTIVE(S)
Le moteur ne fonctionne pas	Le fusible à sauté Source d'alimentation inappropriée ou absente Potentiomètre réglé à zéro Balais de moteur usés Câbles cavaliers inadéquats ou manquants	Remplacez le fusible Installez le branchement approprié Tournez le potentiomètre dans le sens des aiguilles d'une montre au démarrage Remplacez les balais Voir "Tableau de sélection du câble cavalier JU2"
La tension de sortie de l'armature ne peut pas être réglée, la sortie est à un niveau C.C. constant.	Il n'y a pas de moteur ou de charge raccordé aux bornes de l'armature La connexion du réglage bas du potentiomètre est ouverte.	Vérifiez que le moteur ou la charge ont bien été raccordés Vérifiez que le câble du réglage bas a bien été effectuée
Le moteur cale, ou tourne très lentement avec le potentiomètre entièrement ouvert	Tension trop basse Surcharge Balais de moteur usés Vitesse maximum mal réglée	Vérifiez-la - doit être supérieure à 104V ou 208V Réduisez la charge ou réglez la limite de courant Remplacez les balais du moteur Voir "Réglage du potentiomètre"
Le moteur fonctionne par à-coups	I.R. COMP trop élevé Moteur a atteint sa capacité Vitesse du moteur dépasse sa vitesse nominale	Voir "Réglage du potentiomètre" Voir "Réglage du potentiomètre" Réduisez le réglage max du potentiomètre
Les fusibles sautent de manière répétée	Surcharge Balais de moteur usées Moteur défectueux Composants électriques défectueux	Réduisez la charge Remplacez les balais du moteur Remplacez les moteur Rendez l'appareil afin de le faire réparer
Le moteur fonctionne, mais ne peut pas s'arrêter	Câblage incorrect Câblage défectueux Composant défectueux	Consultez la rubrique "Raccordement du bornier" Vérifiez le câblage Rendez l'appareil afin de le faire réparer

Si la commande ne fonctionne toujours pas après avoir lu cette section, consultez votre distributeur ou représentant Dart ou rendez l'appareil afin de le faire réparer.

INSTALLATION DES FUSIBLES

Le moteur et la commande sont protégés contre les surcharges grâce au circuit limiteur de courant.

Il existe deux fusibles qui assurent une protection supplémentaire. Ces derniers sont montés sur la carte principale. Utilisez des fusibles de rechange de calibre adéquat si le fusible doit être changé. Avant de changer les fusibles, veillez à ce que l'alimentation électrique à la commande à bien été déconnectée au niveau de la source de courant. Remarque: Les deux côtés de l'entrée VCA comportent des fusibles.

HP: 1/8 - 2.0 H.P.
HP: 3.0 H.P.

TAILLE DU FUSIBLE: 20 Amp
TAILLE DU FUSIBLE: 20 Amp

TYPE DE FUSIBLE: Bussman ABC-20 ou Litte Fuse 314020
TYPE DE FUSIBLE: Bussman ABC-20 ou Litte Fuse 314020

SPÉCIFICATIONS

TENSION CA D'ENTRÉE ±10% de la tension nominale du secteur
 ALTITUDE Jusqu'à 7,500 pieds au-dessus du niveau de la mer
 SURCHARGE ADMISSIBLE 200% pour une minute
 DIMENSIONS ET POIDS:

SYSTÈME	LARGEUR	LONGUEUR	PROFONDEUR	POIDS	TYPE
ANGLAIS	6.70"	9.00"	2.00"	40 oz.	C
	6.70"	9.00"	2.25"	41 oz.	RC
	6.70"	10.00"	4.75"	56 oz.	RE
MÉTRIQUE	171 mm	229 mm	51 mm	1134 gm	C
	171 mm	229 mm	57 mm	1162 gm	RC
	171 mm	254 mm	121 mm	1422 gm	RE

FACTEUR DE SURCHARGE DE LA COMMANDE 1.0
 EFFICACITÉ 85 % typique
 CARACTÉRISTIQUES ÉLECTRIQUES - PLAGES DE COURANT ET DE PUISSANCE HP:

H.P.	ENTRÉE 120VCA / SORTIE 0-90VCC		ENTRÉE 240VCA / SORTIE 0-180VCC	
	AMPS CA MAX	AMPS ARM MAX	AMPS CA MAX	AMPS ARM MAX
1/8	1.80	1.40	—	—
1/6	2.60	2.10	—	—
1/4	3.50	2.70	1.80	1.40
1/3	4.40	3.40	2.20	1.70
1/2	6.50	5.00	3.30	2.50
3/4	9.30	7.20	4.80	3.70
1.0	13.20	10.20	6.50	5.00
1.5	21.50	14.70	9.70	7.50
2.0	—	—	12.90	9.90
3.0	—	—	22.00	15.00

FUSIBLES 2 fusibles en ligne CA (voir "Installation des Fusibles")
 HUMIDITÉ Non-inductrice à 99%
 FRÉQUENCE DE L'ENTRÉE 50 ou 60 Hz
 COURANT MAXIMUM DE L'INDUIT - CONTINU 10.0 ACC (2 H.P.); 15.0 ACC (3 H.P.)
 VOYANT TÉMOIN (VERSION "RE") Néon
 PÉRIPHÉRIQUES D'ALIMENTATION Pont à double alternance
 TENSION D'EXCITATION SHUNT ... 100VCC pour entrée 115VCA; 200VCC pour entrée 230VCA (1A max - 530B; 1.5A max - 533B)
 COMMANDE DE VITESSE via potentiomètre de 5K Ohms ou 0 à +10VCC signal isolé
 PLAGE DE VITESSE 50:1
 RÉGLAGE DE LA VITESSE ±1 % de la vitesse de base
 RÉTROACTION DU TACHYMÈTRE Sélectionnable par cavalier 3V ou 7V par 1000 tours-minute
 TEMPÉRATURE DE FONCTIONNEMENT -10½ à 45½ C (15½ à 115½ F)
 PROTECTION TRANSITOIRE G-Mov

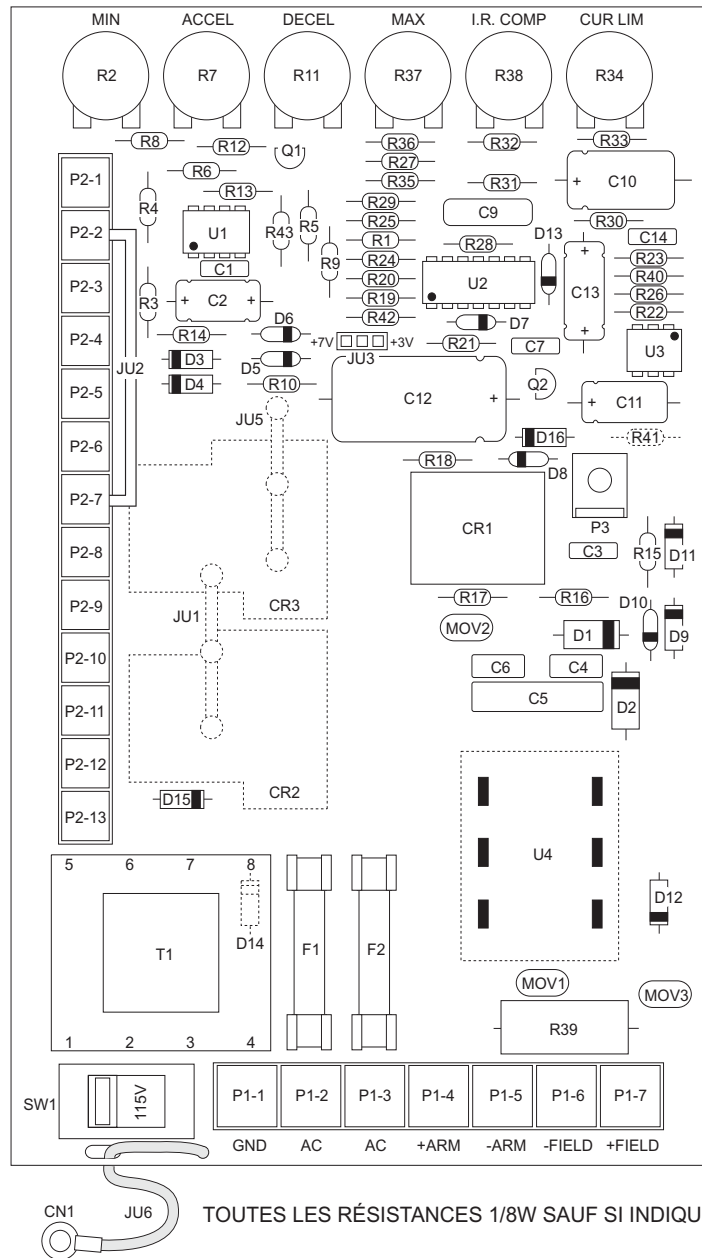
POTENTIOMÈTRES:

PLAGE D'ACCÉLÉRATION 0.3 à 12 secondes - réglable
 PLAGE DU LIMITE DE COURANT 1 à 20 Amps (1/8 à 2 h.p.)
 2 à 30 Amps (1.5 et 3 h.p.)
 PLAGE DE DÉCÉLÉRATION 0.6 à 12 secondes - réglable
 PLAGE DE COMPENSATION I.R. 1/8 à 2.0 h.p. (commandes 530B)
 1.5 et 3.0 h.p. (commandes 533B)
 PLAGE MAX DU POT. DE VITESSE 60 à 120 % de la vitesse de base
 PLAGE MIN DU POT. DE VITESSE 0 à 30% de la vitesse maximum
 TYPE DE SECTION D'ACCEL/DÉCÉL. Linéaire

EMPLACEMENT ET PIÈCES DE RECHANGE DE LA SÉRIE 530B

RÉSISTANCES

R1	220K
R2	5K TRIM (MIN)
R3	47K
R4	300K
R5	10K
R6	4.7K
R7	250K TRIM (ACCEL)
R8	1K
R9	27K
R10	4.7K
R11	250K TRIM (DECEL)
R12	1K
R13	47K
R14	4.7K
R15	47 1/2W
R16	91K 1/2W
R17	180K 1/2W
R18	470
R19	47K
R20	6.8K
R21	300K
R22	1K
R23	47K
R24	470K
R25	10K
R26	680K
R27	22K
R28	2.2K
R29	1K
R30	220K
R31	390
R32	390
R33	39K
R34	1K TRIM (CUR)
R35	2.2K
R36	470
R37	50K TRIM (MAX)
R38	100 TRIM (I.R.)
R39	.SEE BELOW
R40	100K
R41	SEE BELOW
R42	33K
R43	100K



ÉQUIPEMENTS ACTIFS

Q1	2N4124
Q2	LM78L12 REG.
U1	LM358 IC
U2	LM324 IC
U3	3052 MOC
U4	L512F BRIDGE

CONDENSATEURS

C1	.01µF 63V
C2	1µF 50V N.P.
C3	.01µF 400V
C4	.01µF 400V
C5	.068µF 250VAC
C6	.01µF 400V
C7	.01µF 63V
C8	NOT USED
C9	.22µF 250V
C10	150µF 16V
C11	47µF 16V
C12	470µF 50V
C13	1µF 50V N.P.
C14	.1µF 63V

DIODES

D1	S6A4
D2	S6A4
D3	1N4005
D4	1N4005
D5	1N914B
D6	1N5233B
D7	1N914B
D8	1N5242B
D9	1N4005
D10	1N5233B
D11	1N4005
D12	1N4005
D13	1N914B
D14	1N4005
D15	1N4005
D16	1N4005

DIVERS

CN1	CT60R16USB CONNECTEUR	JU5	VOIR CI-DESSOUS
CR1	T73 RELAIS	JU6	WC16GN3.5 FIL
CR2	VOIR CI-DESSOUS	MOV1	275V G-MOV
CR3	VOIR CI-DESSOUS	MOV2	275V G-MOV
F1	20A FUSIBLE	MOV3	275V G-MOV
F2	20A FUSIBLE	PCB	CARTE DE CIRCUITS IMPRIMÉS
JU1	VOIR CI-DESSOUS		A-4-2563C
JU2	WC16WH2.5SL CÂBLE CAVALIER (VOIR "TABLEAU DE SÉLECTION DU CÂBLE CAVALIER")	P1	BORNIER À 7 POS.
JU3	CONNECTEUR OUVERTE AVEC CAVALIER À 3 POS.	P2	BORNIER À 13 POS.
		P3	BORNIER À PLAGE OUVERTE DE 1/4"
		SW1	115/230VCA INTERRUPTEUR (DPDT)
		T1	TRANSFORMATEUR DST428

MODIFICATIONS DE L'OPTION -15A:

R13	180K
-----	------

MODIFICATIONS POUR 530BC:

CR2	NON USÉ
CR3	NON USÉ
JU1	RLB2503S RAIL
JU5	RLB2503S RAIL
R39	.015 5W
R41	1K 1/2W

MODIFICATIONS POUR 530BRC:

CR2	T9A RELAIS
CR3	T9A RELAIS
JU1	NON USÉ
JU5	NON USÉ
R39	.015 5W
R41	NON USÉ

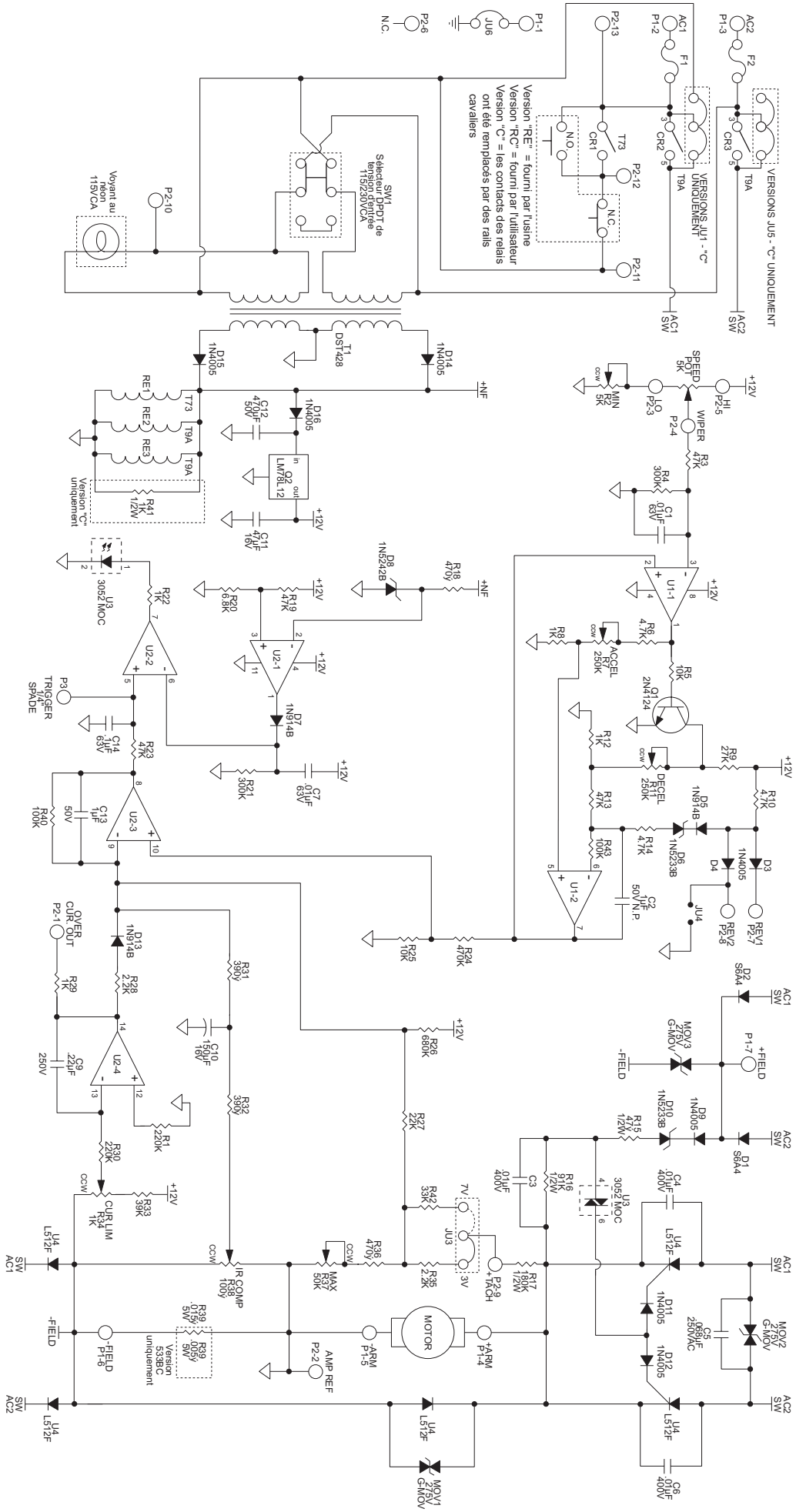
MODIFICATIONS POUR 530BRE:

CR2	T9A RELAIS
CR3	T9A RELAIS
JU1	NON USÉ
JU5	NON USÉ
R39	.015 5W
R41	NON USÉ

MODIFICATIONS POUR 533BC:

CR2	NON USÉ
CR3	NON USÉ
JU1	RLB2503S RAIL
JU5	RLB2503S RAIL
R39	.005 5W
R41	1K 1/2W

SCHÉMA DE LA SÉRIE 530B



REPAIR PROCEDURE

In the event that a Product manufactured by Dart Controls Incorporated (DCI) is in need of repair service, it should be shipped, freight paid, to: Dart Controls, Inc., 5000 W. 106th Street, Zionsville, IN. 46077, ATTN: Repair Department.

Those orders received from anyone without an existing account with DCI will need to specify if they will be paying COD or Credit Card (Master Card or Visa). This information is required before work can begin. If you have an account with Dart your order will be processed according to the terms listed on your account.

Completed repairs are returned with a Repair Report that states the problem with the control and the possible cause. Repair orders are returned via UPS Ground unless other arrangements are made. If you have further questions regarding repair procedures, contact your Dart Controls, Inc. at 317-733-2133 Ext.460.

YOUR MOTOR SPEED CONTROL SOLUTIONS PROVIDER



125D SERIES
AC INPUT - VARIABLE DC OUTPUT
1/50 HP through 1.0 HP



250G SERIES
AC INPUT - VARIABLE DC OUTPUT
1/50 HP through 2.0 HP



65 SERIES
DC INPUT - VARIABLE DC OUTPUT
CURRENT RATINGS OF 20, 40, AND
60 AMPS



700/COMMUTROL SERIES
DC BRUSHLESS
5 & 20 Amp for
12,24,& 36VDC Inputs



MDP SERIES
PROGRAMMABLE
CLOSED LOOP DC
SPEED CONTROL



DM SERIES
FIELD PROGRAMMABLE
DIGITAL TACHOMETER

Dart Controls, Inc. is a designer, manufacturer, and marketer of analog and digital electronic variable speed drives, controls, and accessories for AC, DC, and DC brushless motor applications.

Shown above is just a sampling of the expanded line of Dart controls that feature the latest in electronic technology and engineering. Products are manufactured in the U.S.A. at our Zionsville (Indianapolis,

Indiana) production and headquarters facility - with over 2,000,000 variable speed units in the field.

In addition to the standard off-the-shelf products, you can select from a wide variety of options to customize controls for your specific application. For further information and application assistance, contact your local Dart sales representative, stocking distributor, or Dart Controls, Inc.

Dart Controls, Inc.

Manufacturer of high quality DC and AC motor speed controls and accessories since 1963.

P.O. Box 10
5000 W. 106th Street
Zionsville, Indiana 46077
Phone: (317) 733-2133
Fax: (317) 873-1105