

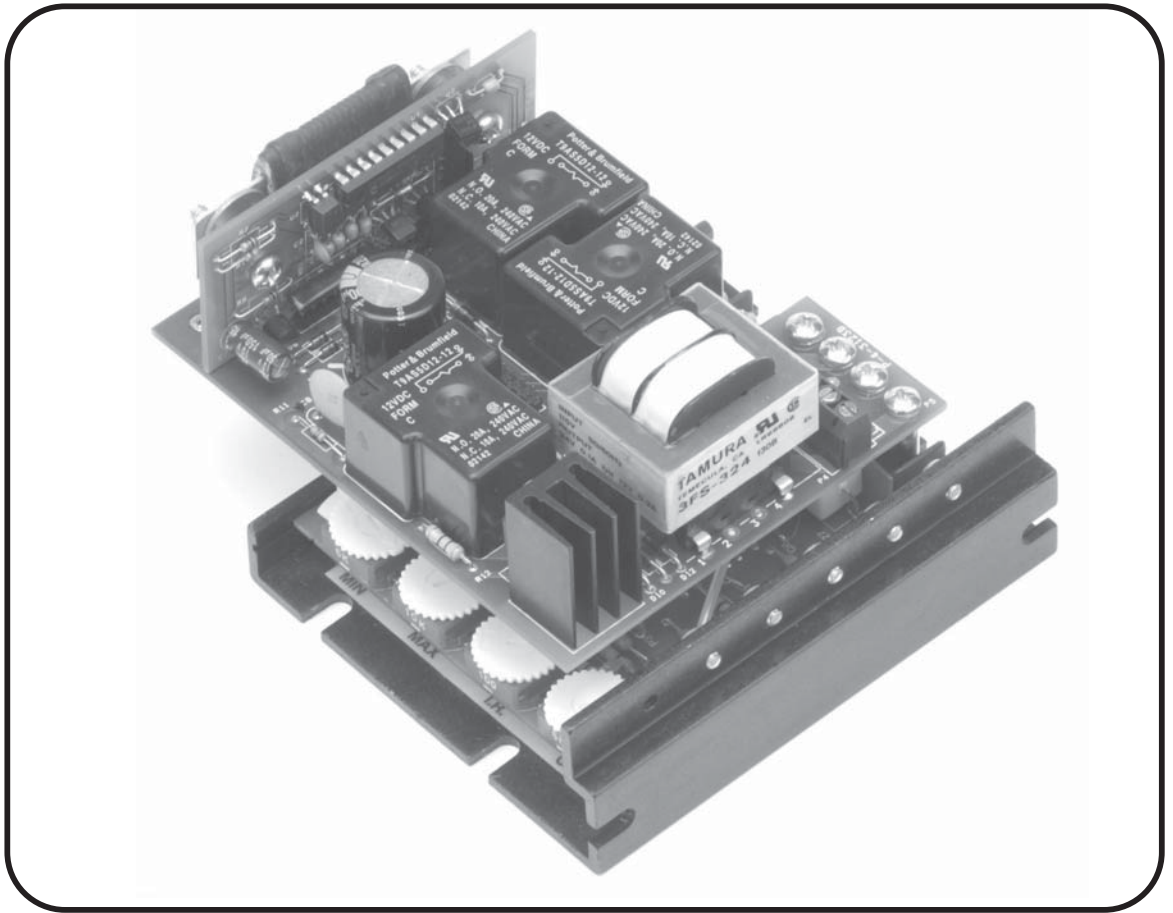
130 CONTROL SERIES

DART

CONTROLS

Instruction Manual

**Cycling and Reversing Variable Speed DC Control
with on Board Dynamic Braking**



**P.O. Box 10
5000 W. 106th Street
Zionsville, Indiana 46077**

**Phone (317) 873-5211
Fax (317) 873-1105
www.dartcontrols.com**

Quick Jump

What models and options are available?

See page 4.

Looking for detailed specifications?

See page 11.

Want to get started fast?

See basic electrical hook-up details on page 6.

See mechanical installation details on page 3.

Need Help?

See troubleshooting on page 10.

Warranty

Dart Controls, Inc. (DCI) warrants its products to be free from defects in material and workmanship. The exclusive remedy for this warranty is DCI factory replacement of any part or parts of such product which shall within 12 months after delivery to the purchaser be returned to DCI factory with all transportation charges prepaid and which DCI determines to its satisfaction to be defective. This warranty shall not extend to defects in assembly by other than DCI or to any article which has been repaired or altered by other than DCI or to any article which DCI determines has been subjected to improper use. DCI assumes no responsibility for the design characteristics of any unit or its operation in any circuit or assembly. This warranty is in lieu of all other warranties, express or implied; all other liabilities or obligations on the part of DCI, including consequential damages, are hereby expressly excluded.

NOTE: Carefully check the control for shipping damage. Report any damage to the carrier immediately. Do not attempt to operate the drive if visible damage is evident to either the circuit or to the electronic components.

All information contained in this manual is intended to be correct, however information and data in this manual are subject to change without notice. DCI makes no warranty of any kind with regard to this information or data. Further, DCI is not responsible for any omissions or errors or consequential damage caused by the user of the product. DCI reserves the right to make manufacturing changes which may not be included in this manual.


WARNING

Improper installation or operation of this control may cause injury to personnel or control failure. The control must be installed in accordance with local, state, and national safety codes. Make certain that the power supply is disconnected before attempting to service or remove any components!!! If the power disconnect point is out of sight, lock it in disconnected position and tag to prevent unexpected application of power. Only a qualified electrician or service personnel should perform any electrical troubleshooting or maintenance. At no time should circuit continuity be checked by shorting terminals with a screwdriver or other metal device.

TABLE OF CONTENTS

INTRODUCTION	2
CONTROL FEATURES.....	2-3
130 SERIES HEATSINK AND MOUNTING	3
DIMENSIONS.....	3
MODEL SELECTION	4
WIRING PROCEDURE & FUSING	4
TERMINAL STRIP WIRING INSTRUCTIONS	4-5
130 HOOK-UP DIAGRAM.....	6
CONTROL START-UP	6-7
TRIMPOT ADJUSTMENT CHART & PROCEDURE.....	7-8
CONTROL MODIFICATIONS	8
SPEEDPOT KIT ASSEMBLY	9
OPTION DESCRIPTIONS.....	9
IN CASE OF DIFFICULTY	9
SPECIFICATIONS.....	10
TYPICAL MOTOR CURRENTS	10

INTRODUCTION

- The 130 series reversing speed control is designed to provide instant reversing, quick precise stopping or rapid cycling for a wide range of DC motor applications. The 130 series controls outperform other dynamic braking and reversing controls by utilizing Dart's unique zero speed detect and solid state assisted dynamic braking circuits. These circuits eliminate the contact arcing and failed braking problems associated with other reversing and dynamic braking controls. Dart's zero speed detect circuit also eliminates the motor problems associated with plug reversing a motor by not reapplying power to the motor until zero speed is obtained.
- The 130 series controls are also designed so that upon a power loss condition to the control or an E-stop condition, the control will drop into a dynamic brake condition to safely and quickly bring the motor to a stop and remain there until power is reapplied and a run condition is recognized.
- The 130 series variable speed control come in an extremely small package size and fits the industry standard footprint for both vertical and horizontal mounting patterns.
- The 130 series variable speed control is available in a range of 500mA through 10A_{dc} output at 120Vac or 240Vac input. This represent a Horsepower range of 1/50 through 1 at 90V_{dc} out or 1/25 through 2 at 180V_{dc} out.
- The control is designed for DC Permanent Magnet and Shunt Wound motors in the above horsepower ranges.
- Incoming AC voltage is converted to adjustable full wave rectified DC voltage to operate the DC motor. Also, a full wave field voltage is provided for shunt wound motors.
- The control incorporates transient voltage protection with adjustable current limit which fits into a compact package. It also features adjustable IR compensation along with adjustable minimum and maximum speeds settings.
- Available softstart option. (Consult factory for your OEM specific needs)
-  Listed, file #E78180

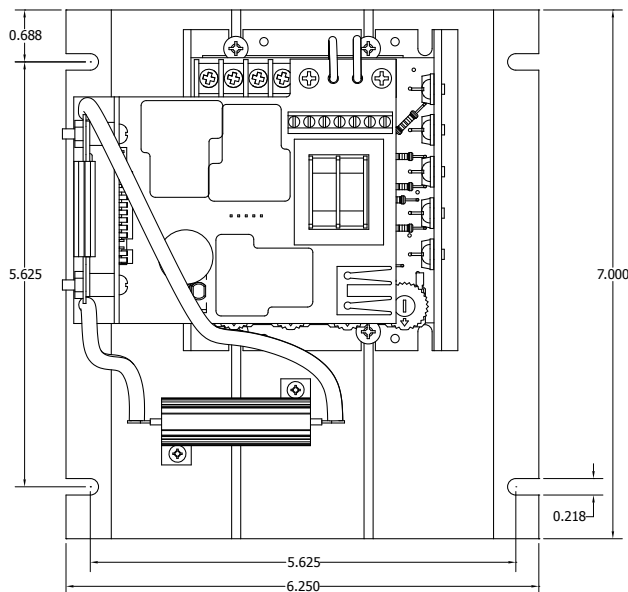
CONTROL FEATURES

- **MINIMUM SPEED** - Allows adjustment of the motor speed when the speedpot is set at minimum (CCW). This permits the user to eliminate "Deadband" on the main speed control, permitting zero calibration. Clockwise rotation of "MIN" trimpot increases speed.
- **MAX SPEED (Maximum Speed)** - Allows adjustment of the motor speed when the speedpot is set at maximum (CW). This permits the user to eliminate the top end "Deadband", which will provide full speed at maximum rotation. Rotation of the "MAX" trimpot in the clockwise direction increases the maximum motor speed.
- **IR COMP (Speed Regulation)** - This allows for adjustment of the circuitry that controls the speed regulation of the motor. The circuitry controls armature speed by changing the armature voltage to compensate for increased or decreased motor loading. Clockwise rotation of the "IR COMP" trimpot will increase compensation.

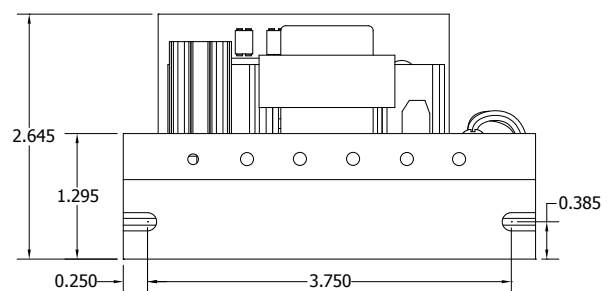
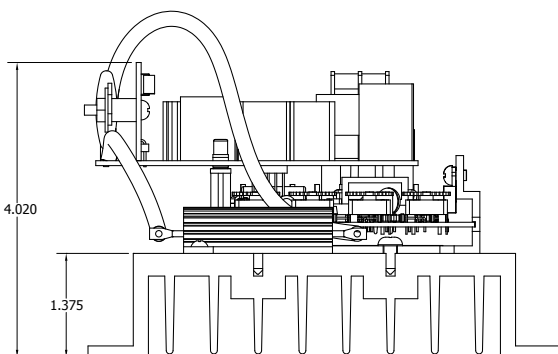
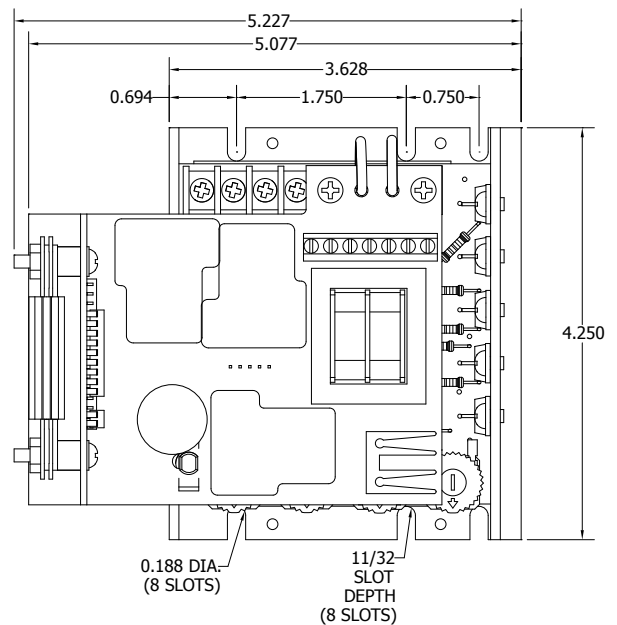
- **CUR LIM (Current Limit)** - Provides protection from excessive armature current by limiting the maximum armature current the control can provide. This enables adjustment of the maximum torque the motor can deliver. Torque adjustment (Cur Lim) is preset at 125% of rated motor torque (current) based on horsepower. Clockwise rotation of the "CUR LIM" trimpot increases the torque (current) the control will provide.
- **BARRIER TERMINAL BLOCKS** - Allows for connection of AC lines, motor leads, motor field (if needed), speed potentiometer and Fwd-Brake-Rev inputs.
- **ONBOARD DYNAMIC BRAKE RESISTOR** - Consult factory for available remote mounting option of Brake resistor.
- **POWER LOSS BRAKE** - Upon a power loss to the control or an E-stop command, the control will drop into a dynamic brake condition to safely and quickly bring the motor to a stop and remain there until power is reapplied and a run condition is recognized.

130 SERIES HEATSINK AND MOUNTING DIMENSIONS

AUXILIARY HEATSINK -HS(125D)



STANDARD HEATSINK



MODEL SELECTION

INPUT VOLTAGE	OUTPUT VOLTAGE	MODEL NUMBER	OUTPUT* AMPS DC	HORSEPOWER
120 VAC	0-90 VDC	130LC12	1.2 ADC	1/50 – 1/8
120 VAC	0-90 VDC	130LC100	5.5 ADC*	1/8 – 1/2*
120 VAC	0-90 VDC	130HC12	1.2 ADC	1/50 – 1/8
120 VAC	0-90 VDC	130HC100	10 ADC*	1/8 – 1
240 VAC	0-180 VDC	132LC25	1.2 ADC	1/25 – 1/4
240 VAC	0-180 VDC	132LC200	5.5 ADC*	1/4 – 1*
240 VAC	0-180 VDC	132HC25	1.2 ADC	1/25 – 1/4
240 VAC	0-180 VDC	132HC200	10 ADC*	1/4 – 2

NOTE: * With suitable external heatsink (where 130 extrusion temperature does not exceed 70° C.), maximum rating for Output Amps can be increased to 10 ADC output at up to 1Hp at 90VDC or 2Hp at 180VDC.

WIRING PROCEDURE & FUSING

1. Size all wires which carry armature or line currents **AS SPECIFIED BY NATIONAL, STATE, AND/OR LOCAL CODES**. All other wires may be # 18 AWG or smaller as permitted by local code.
2. **Separate control wires** from the armature and AC lines when routed in conduit or in wire trays.
3. **Fusing** - The motor and control are protected against overloads by the current limit circuit and a customer installed fuse in the AC line. **THIS PROTECTION ALREADY MAY BE PROVIDED BY THE CUSTOMER WITH CIRCUIT BREAKERS OR FUSES IN BOTH MAIN LINES. IF NOT:**

FOR 120 VAC INPUT - fuse or breaker protection should be added by the customer inline with the Hot AC Line (see following chart).

FOR 240 VAC INPUT - fuse or breaker protection should be added by the customer inline with both Hot AC Lines (see following chart).

FUSING ADDED BY CUSTOMER (Bussman ABC or Little Fuse 314 Series ceramic fuses)

HORSEPOWER	120 VAC INPUT	240 VAC INPUT
1/50	2 AMP	-----
1/20	2 AMP	1 AMP
1/8	3 AMP	2 AMP
1/4	4 AMP	3 AMP
1/3	6 AMP	3 AMP
1/2	8 AMP	4 AMP
3/4	12 AMP	6 AMP
1.0	15 AMP	8 AMP
1.5	-----	12 AMP
2.0	-----	15 AMP

TERMINAL STRIP WIRING INSTRUCTIONS

Upper board terminal block connections (P4)

- P4-1 (AC1 / L) – For single phase AC lines, (120VAC for US or 240VAC for Europe) connect the Hot side of your AC line to this terminal. For systems with two hot AC lines, (240VAC for US) connect either of the Hot AC lines to this terminal.
- P4-2 (AC2 / N) – For single phase AC lines, (120VAC for US or 240VAC for Europe) connect the Neutral side of your AC line to this terminal. For systems with two hot AC lines, (240VAC for US) connect either of the Hot AC lines to this terminal.

- P4-3 (A1) – For clockwise rotation of your motor in the Fwd. Direction, connect the Plus (+) Armature wire of the motor to this terminal.
- P4-4 (A2) – For counter-clockwise rotation of your motor in the Rev. direction, connect the Minus (-) Armature wire of the motor to this terminal.
- P4-5 (REV) – This is the reverse direction input terminal. When connected to the COM terminal, the control will release its brake circuit and accelerate to its set point in the reverse direction. When the connection to the COM terminal is opened the control will brake to zero speed. The connection to the COM terminal can be made via a mechanical switch, a relay contact, or an ungrounded solid state open collector type switch. Switching requirements are 5VDC at less than 1ma.
- P4-6 (FWD) – This is the forward direction input terminal. When connected to the COM terminal, the control will release its brake circuit and accelerate to its set point in the forward direction. When the connection to the COM terminal is opened the control will brake to zero speed. The connection to the COM terminal can be made via a mechanical switch, a relay contact, or an ungrounded solid state open collector type switch. Switching requirements are 5VDC at less than 1ma.
- P4-7 (COM) – This is the common terminal for the forward and reverse speed/dynamic brake commands. **This terminal should not be grounded or tied to any other terminal.**

Lower board terminal block connections (P1)

- P1-4 (-A/-F) – **DO NOT** use for Permanent Magnet Motor. This supplies -Field voltage for a SHUNT WOUND MOTOR (refer to field voltage table). For motors with dual voltage field (ie. 50/100V or 100/200V), make sure highest value is connected. Note: When connecting to this terminal, you will need to use a fork or ring connector placed directly under the screw head.
- P1-5 (+F) – **DO NOT** use for Permanent Magnet Motor. This supplies +Field voltage for a SHUNT WOUND MOTOR (refer to field voltage table). For motors with dual voltage field (ie. 50/100V or 100/200V), make sure highest value is connected.

FIELD VOLTAGE TABLE		
VAC INPUT	120	240
VDC FIELD	100	200

- P1-6 (Speedpot Hi) – Connects to high side (white wire) of Speedpot (CW end). This is an internal +12VDC. For start-stop applications, the connection between this terminal and Speedpot HI can be opened and closed by a SPST switch. **INPUT MUST NOT BE GROUNDED!**
- P1-7 (Speedpot Wiper) – Connects to wiper (red wire) of Speedpot (center lead). For Voltage Follower applications, this **INPUT MUST NOT BE GREATER THAN +12V MAXIMUM AND MUST NOT BE GROUNDED!**
- P1-8 (Speedpot Lo) – Connects to Low side (orange wire) of 5K Speedpot (CCW end). This input is raised and lowered by the MIN. trimpot (5K). Electronic speed input (voltage follower) may be referenced to Speedpot LO if the MIN trimpot adjustments are to be active. Otherwise, inputs may be referenced to -ARM, which will bypass the MIN trimpot. **INPUT MUST NOT BE GROUNDED!**

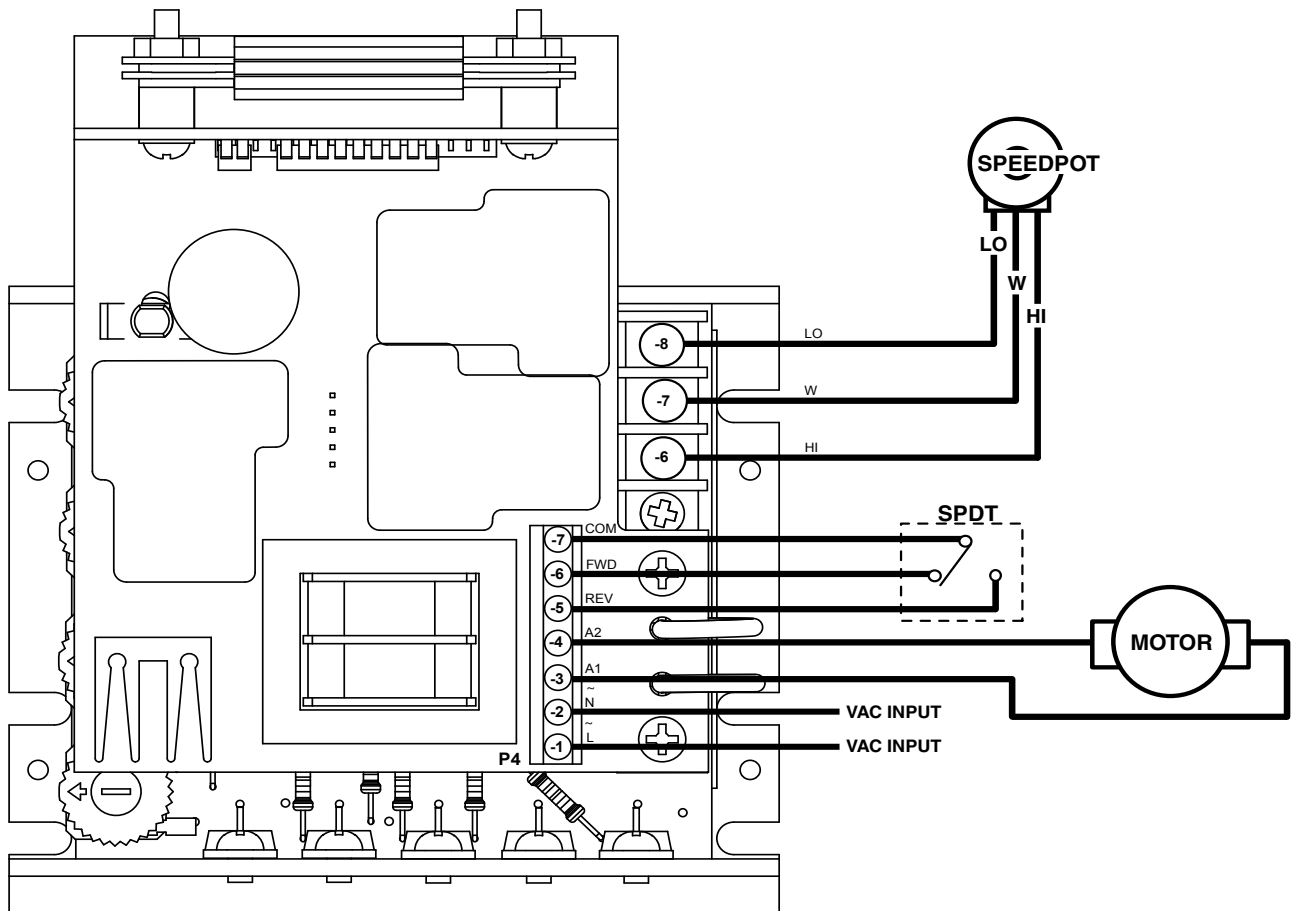
Warning:

1. Be sure the control housing is properly grounded.
2. For non-speedpot applications, the input connection to the LO, WIPER, and HI terminals must not be grounded! Serious control damage may result from a grounded input.

HOOK-UP DIAGRAM

Warning:

Do not attempt to perform Hi-pot test across AC lines with control in circuit.
This will result in immediate or long term damage to the control.



CONTROL START-UP

WARNING: ALL POWER MUST BE TURNED OFF BEFORE PROCEEDING!

1. Recheck all wiring. Accidental grounds to loose or pinched wires on the armature or speedpot wires may damage the control when power is applied.
2. Check to see that incoming service is of correct voltage.
3. Turn speedpot to zero (fully CCW).
4. Turn power on, close contact from COM(P4-7) to either FWD(P4-6) or REV(P4-5) and advance speedpot while observing motor rotation. **Power must be off before step 5 can be accomplished!**
5. If motor rotation is incorrect for the direction selected, turn power off at external disconnect and reverse the A1 and A2 motor connections.

6. Check for satisfactory operation throughout the speed range.
7. Open the FWD/REV connection to COM to verify motor brakes to zero speed.
8. If operation is satisfactory, no readjustments are needed.
9. If instability or surging is observed, or if maximum and minimum speed settings need further adjustments then see "TRIMPOT ADJUSTMENT CHART & PROCEDURE".
10. For other problems, consult page 10, "IN CASE OF DIFFICULTY".

TRIMPOT ADJUSTMENT CHART & PROCEDURE

Settings apply when using a 5K ohm master speedpot. This chart is used in conjunction with the adjustment procedure and is approximate.

	C.L.	I.R.	MAX	MIN	HP
130LC12 130HC12 120 VAC input; 0-90 VDC output					1/50
					1/20
					1/8
130LC100 130HC100 120 VAC input; 0-90 VDC output					1/8
					1/4
					1/3
					1/2
					3/4*
					1.0*

Operation of the control beyond ±10% of the normal line voltage could result in re-adjustment. These adjustments are permanent; periodic re-adjustment is normally not needed.

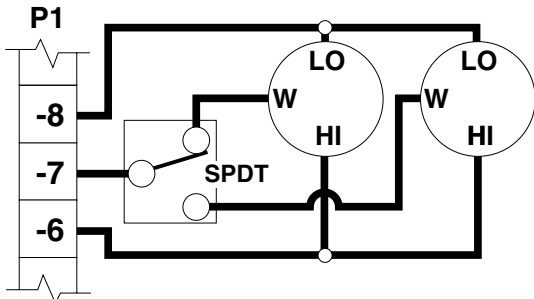
Settings apply when using a 5K ohm master speedpot. This chart is used in conjunction with the adjustment procedure and is approximate.

HP	C.L.	I.R.	MAX	MIN	
1/20					132LC25 132HC25 240 VAC input; 0-180 VDC output
1/8					
1/4					
1/4					132LC200 132HC200 240 VAC input; 0-180 VDC output
1/3					
1/2					
3/4*					
1.0*					
1.5*					
2.0*					

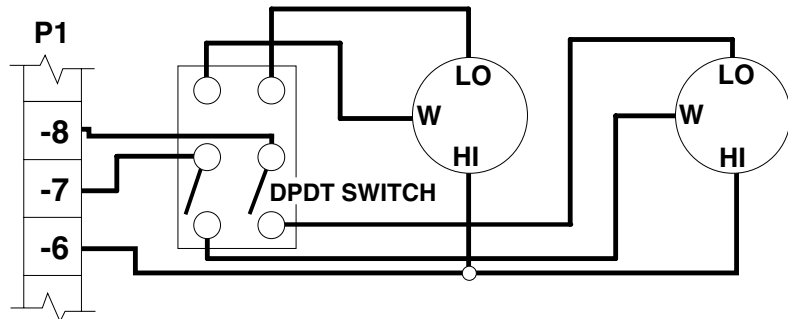
TRIMPOT	FUNCTION	ADJUSTMENT
MIN.	Sets minimum motor speed when speedpot is set at zero. CW rotation will increase minimum motor speed.	<ol style="list-style-type: none"> 1. Select a direction and set Speedpot to zero (fully CCW). 2. Rotate MIN trimpot CW until motor starts to rotate 3. Slowly rotate MIN trimpot CCW until motor stops. <p>NOTE: If motor rotation is desired, rotate MIN trimpot CW until desired MIN speed is reached</p>
IR COMP	Provides a means of improving motor speed regulation. If a slowdown due to load change is of no concern, rotate this trimpot fully CCW.	<ol style="list-style-type: none"> 1. Select a direction and set Speedpot at 50%. 2. Observe motor speed at no load condition. 3. Apply full load to motor. 4. Turn IR COMP trimpot CW until you obtain the same motor speed as the no load condition.
MAX.	Sets maximum motor speed when speedpot is set at maximum (fully CW rotation). CW rotation of MAX trimpot increases maximum motor speed.	<ol style="list-style-type: none"> 1. TURN DRIVE POWER OFF!! 2. Connect a DC Voltmeter across A1 and A2. <p>NOTE: Meter must not be grounded!!</p> <ol style="list-style-type: none"> 3. Set meter voltage range if needed: (90 VDC for 120 VAC, 180VDC for 240 VAC). 4. Turn power on. Select a direction and set Speedpot at 100%. 5. Adjust the MAX trimpot to rated motor armature voltage as shown on meter. NOTE: A tachometer or strobe may be used in lieu of a meter. Follow above steps, except adjust MAX trimpot to rated motor base speed indicated by tachometer or strobe.
CUR.LIM.	Limits DC motor armature current (torque) to prevent damage to the motor or control. The current limit is set for the rated motor current. CW rotation of this trimpot increases the armature current (or torque produced).	<ol style="list-style-type: none"> 1. TURN DRIVE POWER OFF! 2. Connect a DC Ammeter between A1 on motor and A1 on the control. This is in series with the motor. <p>NOTE: Meter must not be grounded!!</p> <ol style="list-style-type: none"> 3. Turn power on. 4. Select a direction and set Speedpot at the 50% position. 5. Apply friction braking to motor shaft until motor stalls. 6. With motor stalled, set current at 125% of rated motor armature current by adjusting CUR. LIM . trimpot.

CONTROL MODIFICATIONS

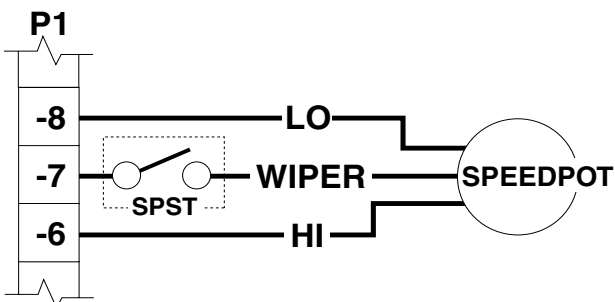
TWO SPEED OPERATION USING TWO 10K SPEEDPOTS



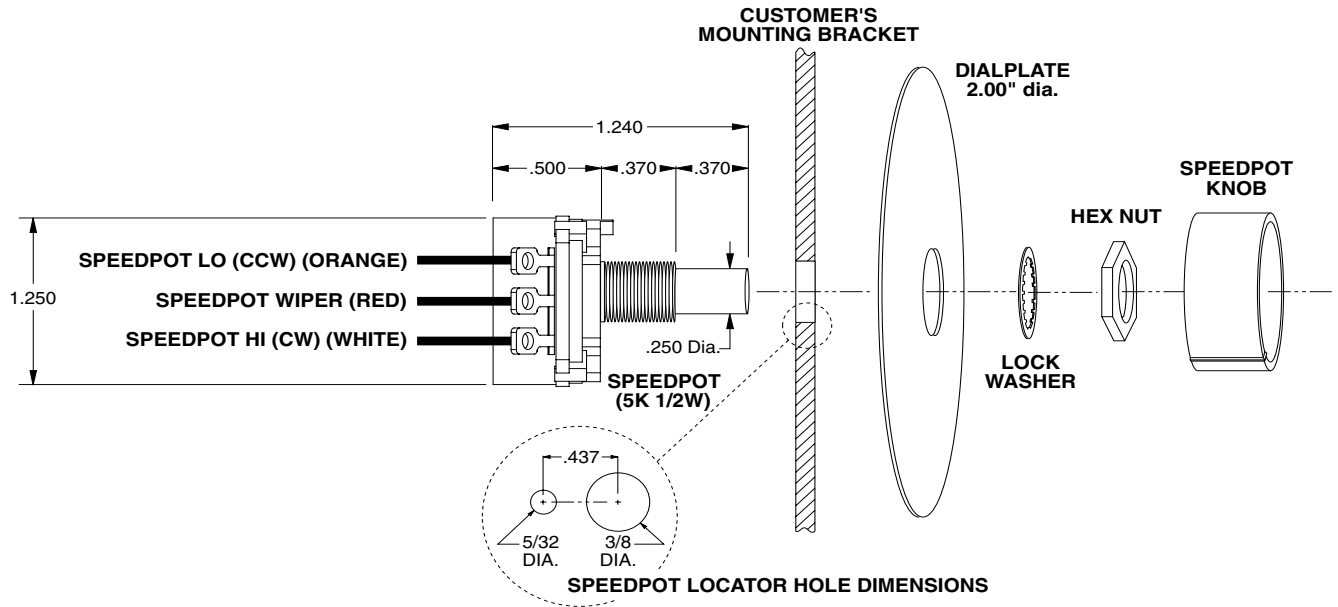
TWO SPEED OPERATION USING TWO 5K SPEEDPOTS



INHIBIT



SPEEDPOT KIT ASSEMBLY



IN CASE OF DIFFICULTY

PROBLEM	POSSIBLE CAUSE(S)	CORRECTIVE ACTION(S)
Motor doesn't operate	<ul style="list-style-type: none"> - Blown Fuse or Breaker - Incorrect or no power source - Speedpot set at Zero - Worn motor brushes 	<ul style="list-style-type: none"> Replace Fuse or reset breaker Install proper service Adjust Speedpot CW to start Replace brushes
Armature output voltage cannot be adjusted, output is a constant DC level	<ul style="list-style-type: none"> - No motor or load connected - Speedpot low connection open 	<ul style="list-style-type: none"> Check that motor or load is connected to armature terminals Check that speedpot low wire is connected
Motor stalls, or runs very slowly with speed control turned fully CW	<ul style="list-style-type: none"> - Low Voltage - Overload Condition - Worn motor brushes - MAX SPEED set incorrectly 	<ul style="list-style-type: none"> Check that VAC is above 100VAC Reduce load or increase motor size and/or C.L. setting. Replace brushes See ADJUSTMENT PROCEDURE
Motor hunts	<ul style="list-style-type: none"> - Motor current less than 150Ma - Too much IR COMP - Motor is in current limit - Motor speed is above rated speed - Max set too high 	<ul style="list-style-type: none"> Motor current must be greater than 150mA D.C. See ADJUSTMENT PROCEDURE See ADJUSTMENT PROCEDURE Reduce Speed See ADJUSTMENT PROCEDURE
Repeated fuse blowing	<ul style="list-style-type: none"> - Low Voltage - Overload Condition - Worn motor brushes - Defective motor bearings - Defective electrical components 	<ul style="list-style-type: none"> Check that VAC is above 100VAC Reduce load Replace Replace Call Dart Distributor or Representative

If control still will not operate, go to www.dartcontrols.com/support or call (317) 873-5211.

SPECIFICATIONS

AC input voltage ----- ±10% of rated line voltage
 Acceleration ----- 0.5 seconds standard 125D
 Amps - DC output; (Models 130XX12 & 132XX25) ----- 500 mA to 1.2 ADC
 (Models 130LC100 & 132LC200) ----- 500 mA to 5.5 ADC*
 (Models 130HC100 & 132HC200) ----- 500 mA to 10 ADC
 Controller overload capacity ----- 200% for one minute
 Current limit trimpot range; (Models 130XX12 & 132XX25) ----- 0.3 to 3 ADC
 (Models 130XX100 & 132XX200) ----- 1 to 18 ADC
 Deceleration ----- 0.5 seconds (standard 125D)

Dimensions and weights:

LC MODELS	W	L	D	WEIGHT
ENGLISH	4.967"	4.250"	2.688"	1.08lb.
METRIC	126.16mm	107.95mm	68.27mm	489.87g
HC MODELS	W	L	D	WEIGHT
ENGLISH	6.250"	7.000"	4.063"	3.30lb.
METRIC	158.75mm	177.80mm	103.20mm	1496.80g

Drive service factor ----- 1.0
 Efficiency ----- 85% typical
 Input frequency ----- 50 or 60 Hertz
 Max. trimpot speed range ----- 60% to 110% of base speed
 Min. trimpot speed range ----- 0% to 30% of maximum speed
 Power devices ----- isolated case tab
 Shunt field voltage ----- 100VDC for 120VAC input; 200VDC for 240VAC input
 Shunt field current ----- 1 amp DC maximum
 Speed control ----- via 5Kohms .5W potentiometer or 0-10VDC isolated signal
 Speed range ----- 50:1
 Speed regulation ----- ±1% of base speed
 Temperature range ----- -10° to 45° C. ambient (15° to 115° F.)
 Terminal Block Torque Setting ----- 4.4 in. lb. Max or .5Nm
 Transient protection ----- G-Mov
 Trigger ----- opto-isolator
 Start/Brake cycle per minute (LC Models) ----- 3 per min**
 (HC Models) ----- 30 per min**

Approval ----- **UL US LISTED**

* With suitable external heatsink (where 130 extrusion temperature does not exceed 70° C.), maximum rating for output amps can be increased to 10 amps D.C.

** Cycles per minute are based on typical inertia type loads. Higher cycle per minute rates may be achieved with constant torque or low inertia type loads. Lower cycle rates may be required for very high inertia type loads.

TYPICAL MOTOR CURRENTS

Horsepower	1/50	1/20	1/8	1/4	1/3	1/2	3/4	1.0	1.5	2.0
Typical AC Amps (120VAC)	0.50	1.00	1.60	3.50	4.40	6.50	9.30	13.20	-----	-----
Typical Arm Amps (120VAC)	0.42	0.81	1.20	2.70	3.40	5.00	8.20	10.90	-----	-----
Typical AC Amps (240VAC)	-----	0.80	0.90	1.80	2.20	3.30	4.80	6.50	9.70	12.90
Typical Arm Amps (240VAC)	-----	0.40	0.60	1.40	1.70	2.50	3.70	5.00	8.20	11.60

- Notes -

- Notes -

- Notes -

Referencia rápida

**¿Cuáles son los modelos y opciones disponibles?
Consulte la página 4.**

**¿Busca las especificaciones pormenorizadas?
Consulte la página 11.**

**¿Desea comenzar rápidamente?
Vea los detalles básicos de conexión eléctrica
en la página 6.
Vea los detalles básicos de instalación mecánica
en la página 3.**

**¿Necesita ayuda?
Consulte los procedimientos de solución de
problemas en la página 10.**

Garantía

Dart Controls, Inc. (DCI) garantiza que sus productos están libres de defectos en materiales y de mano de obra. La única compensación para esta garantía es el reemplazo en fábrica por DCI de cualquier parte o partes de un producto que se devuelva a la fábrica de DCI en un plazo de 12 meses a partir de la fecha de envío al comprador con todos los cargos de transporte pagados por adelantados, y que DCI determine a su satisfacción que está defectuoso. Esta garantía no se extenderá a defectos en el ensamble por personas ajenas a DCI o a cualquier artículo que se haya reparado o alterado por personas ajenas a DCI o a cualquier artículo que DCI determine que ha sido sujeto a un uso incorrecto. DCI no asume responsabilidad alguna por las características de diseño de cualquier unidad o su operación en cualquier circuito o ensamble. Esta garantía sustituye a las demás garantías, expresas o tácitas; Por la presente se excluyen expresamente todas las demás responsabilidades u obligaciones por parte de DCI, incluyendo los daños resultantes.

NOTA: Revise cuidadosamente el controlador para ver si sufrió daño en el transporte. Informe inmediatamente de cualquier daño al transportista. No intente operar el control si hay un daño visible evidente al circuito o a los componentes electrónicos.

Se considera que toda la información contenida en este manual es correcta; sin embargo, la información y los datos de este manual están sujetos a cambios sin previo aviso. DCI no hace garantías de clase alguna con respecto a esta información o estos datos. Además, DCI no es responsable de omisiones o errores o daños resultantes algunos causados por el usuario del producto. DCI se reserva el derecho a hacer cambios de fabricación que pudieran no estar incluidos en el manual.


ADVERTENCIA

La instalación u operación incorrectas de este control pueden causar lesiones al personal o falla de control. El control se debe instalar de conformidad con los códigos de seguridad locales, estatales y nacionales. Asegúrese de que el suministro de energía esté desconectado antes de intentar dar servicio o retirar cualquier componente. Si el punto de desconexión de energía está fuera del alcance visual, póngale un candado en posición de desconexión y etiquételo para impedir la aplicación inesperada de energía. Sólo un electricista calificado o personal de servicio calificado deberá realizar cualquier actividad de solución de problemas o mantenimiento. En ningún momento se deberá probar la continuidad del circuito al poner en corto las terminales con un destornillador u otro dispositivo metálico.

ÍNDICE

INTRODUCCIÓN.....	2
CARACTERÍSTICAS DE CONTROL.....	2
DISIPADOR DE CALOR Y MONTAJE DE LA SERIE 130	3
DIMENSIONES	3
SELECCIÓN DE MODELO.....	4
PROCEDIMIENTO DE CABLEADO Y SELECCIÓN DE FUSIBLES	4
INSTRUCCIONES DE CABLEADO DE TIRA DE TERMINALES	4
DIAGRAMA DE CONEXIÓN DEL 130.....	6
ARRANQUE DEL CONTROL	6
TABLA Y PROCEDIMIENTO DE AJUSTE DE POTENCIÓMETRO.....	7
MODIFICACIONES AL CONTROL.....	9
JUEGO DE ENSAMBLE DE POTENCIÓMETRO DE VELOCIDAD	9
DESCRIPCIONES DE OPCIONES.....	9
EN CASO DE DIFICULTADES	11
ESPECIFICACIONES	11
CORRIENTES DEL MOTOR TÍPICAS	11

INTRODUCCIÓN

- El control de velocidad reversible 130 está diseñado para proporcionar acción de reversa instantánea, paro preciso y rápido o ciclo rápido para una amplia gama de aplicaciones de motores de CD. Los controles de la serie 130 superan el desempeño de otros controles de freno dinámico y reversa usando la detección de velocidad cero exclusiva de Dart y los circuitos de estado sólido para freno dinámico asistido. Estos circuitos eliminan el arqueado de contacto y los problemas de frenado fallido inherentes a otros controles de reversa y freno dinámico. El circuito de detección de velocidad cero de Dart también elimina los problemas del motor relacionados con poner un motor en reversa por medio del enchufe al no volver a aplicar energía al motor hasta que se llegue a velocidad cero.
- Los controles de la serie 130 también están diseñados para que en el caso de una pérdida de energía al control o una situación de paro de emergencia, el control pasará a una situación de freno dinámico para detener el motor de manera segura y rápida y permanecerá en ese estado hasta que se vuelva a aplicar energía y se reconozca una condición de operación.
- El control de velocidad variable serie 130 viene en un paquete extremadamente pequeño y se adapta a superficie de instalación estándar industrial para montaje vertical y horizontal.
- El control de velocidad variable serie 130 se puede obtener en una gama de salidas desde 500 mA hasta 10 Acdcon entrada de 120 VCA o 240 VCA. Esto representa una gama de caballaje de 1/50 hasta 1 a 90 VCD de salida o 1/25 a 2 a 180 VCD de salida.
- El control está diseñado para magneto permanente de CD y motores de devanado en derivación en las gamas de caballaje indicadas arriba.
- La tensión de AC de entrada se convierte en tensión de CD rectificadas de onda plena para operar el motor de CD. Además, se proporciona tensión de campo de onda plena para los motores de devanado en derivación.
- El control incorpora protección contra tensión transiente con un límite de corriente ajustable que cabe en una unidad compacta. También incluye una compensación IR ajustable además de ajustes de velocidades máxima y mínima.
- Opción de arranque suave. (Consulte con la fábrica acerca de sus necesidades específicas de OEM)
-  US LISTED UL File No. E78180 (N).

CARACTERÍSTICAS DE CONTROL

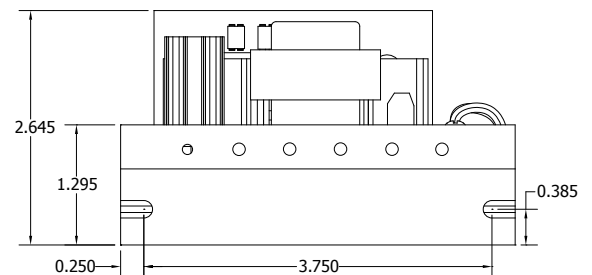
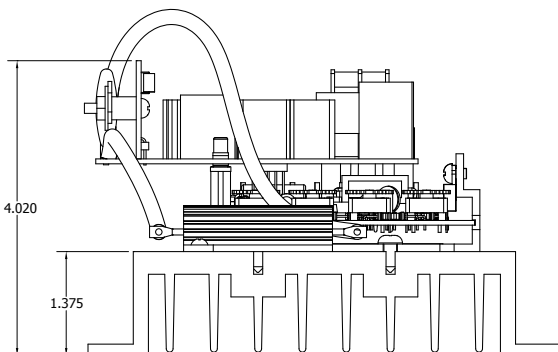
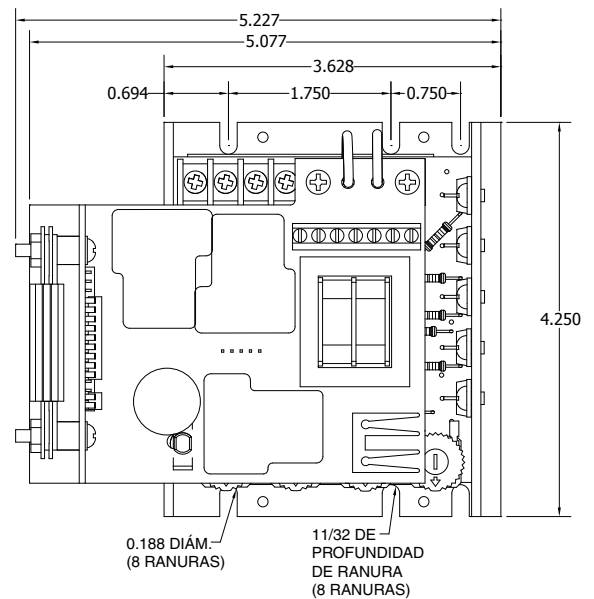
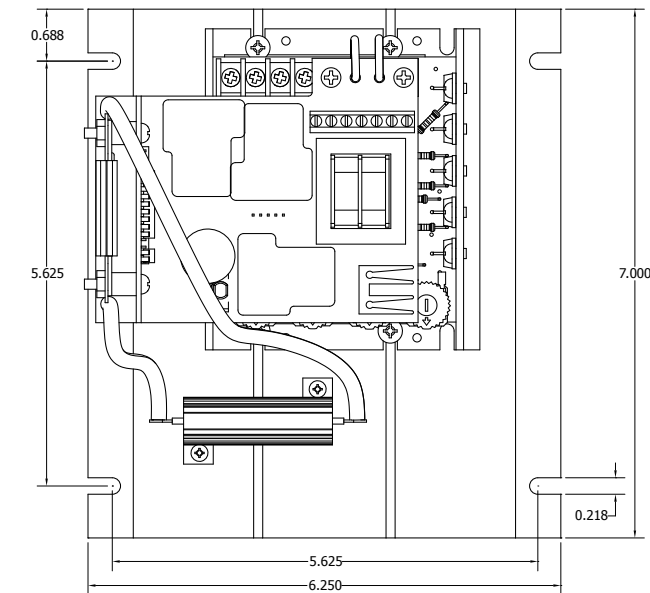
- **VELOCIDAD MÍNIMA** - Permite el ajuste de la velocidad del motor cuando el potenciómetro de velocidad se ajusta al mínimo (a la izquierda). Esto permite que el usuario elimine la “Zona muerta” en el control de velocidad principal y permite la calibración de cero. La rotación a la derecha del potenciómetro de ajuste “MIN” aumenta la velocidad.
- **MAX SPEED (Velocidad máxima)** - Permite el ajuste de la velocidad del motor cuando el potenciómetro de velocidad se ajusta al máximo (a la derecha). Esto permite al usuario eliminar la “Zona muerta” del extremo superior, que proporcionará la velocidad plena a la rotación máxima. Al girar el potenciómetro de ajuste “MAX” a la derecha se aumenta la velocidad máxima del motor.
- **I.R. COMP (Regulación de velocidad)** - Este control permite el ajuste del circuito que controla la regulación de velocidad del motor. El circuito controla la velocidad del inducido al cambiar la tensión del inducido para compensar la mayor o menor carga del motor. La rotación a la derecha del potenciómetro de ajuste “IR COMP” aumentará la compensación.

- **CUR. LIM. (Límite de corriente)** - Proporciona protección contra una excesiva corriente de inducido al limitar la máxima corriente que el inducido puede proporcionar. Esto permite el ajuste del máximo par que el motor puede proporcionar. El ajuste del par (Cur. Lim.) está preajustado a 125% del par nominal del motor (corriente) basado en el cabalaje. La rotación a la derecha del potenciómetro de ajuste "CUR. LIM." aumenta el par (corriente) que el control puede proporcionar.
- **BLOQUES DE TERMINAL DE BARRERA** - Permiten la conexión de líneas de CA, cables de motor, campo del motor (si es necesario), potenciómetro de velocidad y entradas Fwd-Brake-Rev (Adelante-Atrás-Freno).
- **RESISTENCIA DE FRENO DINÁMICO EN TABLILLA** - Consulte con la fábrica sobre la opción disponible de montaje remoto de la resistencia de frenado.
- **FRENO DE PÉRDIDA DE ENERGÍA** - En el evento de una pérdida de energía al control o una orden de paro de emergencia, el control pasará a una situación de freno dinámico para detener el motor de manera segura y completa y permanecerá así hasta que se vuelva a aplicar energía y se reconozca una condición de operación.

DISIPADOR DE CALOR Y DIMENSIONES DE MONTAJE DE LA SERIE 130

DISIPADOR DE CALOR AUXILIAR -HS(125D)

DISIPADOR DE CALOR ESTÁNDAR



PRECAUCIÓN:
NO MONTE EN LUGARES EN LOS QUE LA TEMPERATURA AMBIENTE ESTÉ FUERA DEL
RANGO DE -10° C (15° F) A 45° C (115° F)

SELECCIÓN DE MODELO

TENSIÓN DE ENTRADA	TENSIÓN DE SALIDA	NUMERO DE MODELO	SALIDA* AMPERIOS CD	CABALLOS
120 VCA	0-90 VCD	130LC12	1.2 ACD	1/50 – 1/8
120 VCA	0-90 VCD	130LC100	5.5 ACD*	1/8 – 1/2*
120 VCA	0-90 VCD	130HC12	1.2 ACD	1/50 – 1/8
120 VCA	0-90 VCD	130HC100	10 ACD*	1/8 – 1
240 VCA	0-180 VCD	132LC25	1.2 ACD	1/25 – 1/4
240 VCA	0-180 VCD	132LC200	5.5 ACD*	1/4 – 1*
240 VCA	0-180 VCD	132HC25	1.2 ACD	1/25 – 1/4
240 VCA	0-180 VCD	132HC200	10 ACD*	1/4 – 2

NOTA: * Con un disipador de calor externo adecuado (en el que la extrusión de temperatura del 130 no exceda 70° C.), la especificación máxima para amperios de salida se puede aumentar a 10 ACD hasta 1Hp a 90 VCD o 2Hp a 180 VCD

PROCEDIMIENTO DE CABLEADO Y SELECCIÓN DE FUSIBLES

1. Seleccione el calibre de todos los cables que lleven corrientes de línea o inducido **DE ACUERDO CON LA ESPECIFICACIÓN DE LOS CÓDIGOS NACIONALES, ESTATALES Y/O LOCALES**. Los demás cables pueden ser calibre # 18 AWG o más pequeños, de conformidad con lo que permita el código local.
2. **Separe los cables de control** de las líneas de inducido y CA cuando los coloque en tubo conduit o en charolas para cables.
3. **Selección de fusibles** - El motor y el control están protegidos contra sobrecargas por el circuito de límite de corriente y un fusible instalado por el cliente en la línea de CA. **ES POSIBLE QUE ESTA PROTECCIÓN YA LA PROPORCIONE EL CLIENTE CON DISYUNTORES DE CIRCUITO O FUSIBLES EN AMBAS LÍNEAS DE ALIMENTACIÓN. SI NO:**

PARA ENTRADA DE 120 VCA - el cliente deberá agregar protección mediante fusible o disyuntor en línea con la línea de fase de CA (ver la siguiente tabla).

PARA ENTRADA DE 240 VCA - el cliente deberá agregar protección mediante fusible o disyuntor en línea con ambas líneas de fase de CA (ver la siguiente tabla).

FUSIBLE AGREGADO POR EL CLIENTE (fusible de cerámica Bussman ABC o Little Fuse serie 314)

CABALLOS	ENTRADA DE 120 VCA	ENTRADA DE 240 VCA
1/50	2 AMPERIOS	-----
1/20	2 AMPERIOS	1 AMPERIOS
1/8	3 AMPERIOS	2 AMPERIOS
1/4	4 AMPERIOS	3 AMPERIOS
1/3	6 AMPERIOS	3 AMPERIOS
1/2	8 AMPERIOS	4 AMPERIOS
3/4	12 AMPERIOS	6 AMPERIOS
1.0	15 AMPERIOS	8 AMPERIOS
1.5	-----	12 AMPERIOS
2.0	-----	15 AMPERIOS

INSTRUCCIONES DE CABLEADO DE TIRA DE TERMINALES

Conexiones del bloque de terminales de la tablilla superior (P4)

- P4-1 (AC1/L)** – Para líneas de CA monofásicas, (120 VCA para Estados Unidos o 240 VCA para Europa) conecte el lado de fase de su línea de CA a esta terminal. Para sistemas con dos líneas de CA de fase (240 VCA para Estados Unidos), conecte cualquiera de las líneas de fase de CA a esta terminal.

- P4-2 (AC2/N) – Para líneas de CA monofásicas, (120 VCA para Estados Unidos o 240 VCA para Europa) conecte el lado neutro de su línea de CA a esta terminal. Para sistemas con dos líneas de CA de fase (240 VCA para Estados Unidos), conecte cualquiera de las líneas de fase de CA a esta terminal.
- P4-3 (A1) – Para la rotación a la derecha de su motor en la dirección hacia adelante (Fwd.), conecte el cable positivo(+) de inducido del motor a esta terminal.
- P4-4 (A2) – Para la rotación a la izquierda de su motor en la dirección en reversa (Rev.) conecte el cable negativo (-) de inducido del motor a esta terminal.
- P4-5 (REV) – Ésta es la terminal de entrada de la dirección en reversa. Cuando está conectado a la terminal COM, el control liberará su circuito de freno y acelerará hasta su punto de ajuste en la dirección en reversa. Cuando se abra la conexión a la terminal COM, el control frenará hasta velocidad cero. La conexión a la terminal COM se puede hacer a través de un interruptor mecánico, un contacto de relevador, o un interruptor de estado sólido sin conexión a tierra de tipo de colector abierto. Los requisitos de conmutación son 5 VCD a menos de 1mA.
- P4-6 (FWD) – Ésta es la terminal de entrada de la dirección hacia adelante. Cuando está conectado a la terminal COM, el control liberará su circuito de freno y acelerará a su punto de ajuste en la dirección hacia adelante. Cuando se abra la conexión a la terminal COM, el control frenará hasta velocidad cero. La conexión a la terminal COM se puede hacer a través de un interruptor mecánico, un contacto de relevador, o un interruptor de estado sólido sin conexión a tierra de tipo de colector abierto. Los requisitos de conmutación son 5 VCD a menos de 1mA.
- P4-7 (COM) – Ésta es la terminal común para los comandos de velocidad hacia adelante y en reversa / freno dinámico. **Esta terminal no se deberá conectar a tierra ni “puentear” a ninguna otra terminal.**

Conexiones del bloque de terminales de la tablilla inferior (P1)

- P1-4 (-A/-F) – **NO USAR** para un motor de magneto permanente. Esto proporciona tensión de campo negativa (-) para un MOTOR DE DEVANADO EN DERIVACIÓN (consulte la tabla de tensión de campo). En los motores con campo de doble tensión (por ejemplo 50/100 V o 100/200 V), asegúrese de que se conecte el valor más alto. Nota: Al conectar a esta terminal, necesitará un conector de horquilla o anillo puesto directamente bajo la cabeza del tornillo.
- P1-5 (+F) – **NO USE** para motor de magneto permanente. Esto proporciona tensión de campo positiva (+) para un MOTOR DE DEVANADO EN DERIVACIÓN (consulte la tabla de tensión de campo). En los motores con campo de doble tensión (por ejemplo 50/100 V o 100/200 V), asegúrese de que se conecte el valor más alto.

TABLA DE TENSIÓN DE CAMPO		
ENTRADA DE VCA	120	240
CAMPO DE VCD	100	200

- P1-6 (Potenciómetro de velocidad Hi/Alto) – Se conecta al lado alto (cable blanco) del potenciómetro de velocidad (extremo de la derecha). Ésta es una conexión interna de +12 VCD. En aplicaciones de arranque y paro, la conexión entre esta terminal y el potenciómetro de velocidad HI (alto) se puede abrir y cerrar mediante un interruptor de un polo/un tiro. **¡LA ENTRADA NO DEBE ESTAR CONECTADA A TIERRA!**
- P1-7 (Contacto deslizante de Potenciómetro de velocidad) – Se conecta al contacto deslizante (cable rojo) del potenciómetro de velocidad (cable central). Para aplicaciones con seguidor de tensión, esta **ENTRADA NO DEBE SER MAYOR DE +12V COMO MÁXIMO Y NO SE DEBE CONECTAR A TIERRA.**
- P1-8 (Potenciómetro de velocidad Lo/Bajo) – Se conecta al lado bajo (cable naranja) del Potenciómetro de velocidad de 5K (extremo izquierdo). Esta entrada se sube y baja con el potenciómetro de ajuste MIN. (5K). La entrada de velocidad electrónica (seguidor de tensión) puede estar referida al Potenciómetro de velocidad LO si los ajustes del potenciómetro de ajuste MIN van a estar activos. De lo contrario, las entradas pueden estar referidas a -ARM, que se desvían del potenciómetro de ajuste MIN. **¡LA ENTRADA NO DEBE ESTAR CONECTADA A TIERRA!**

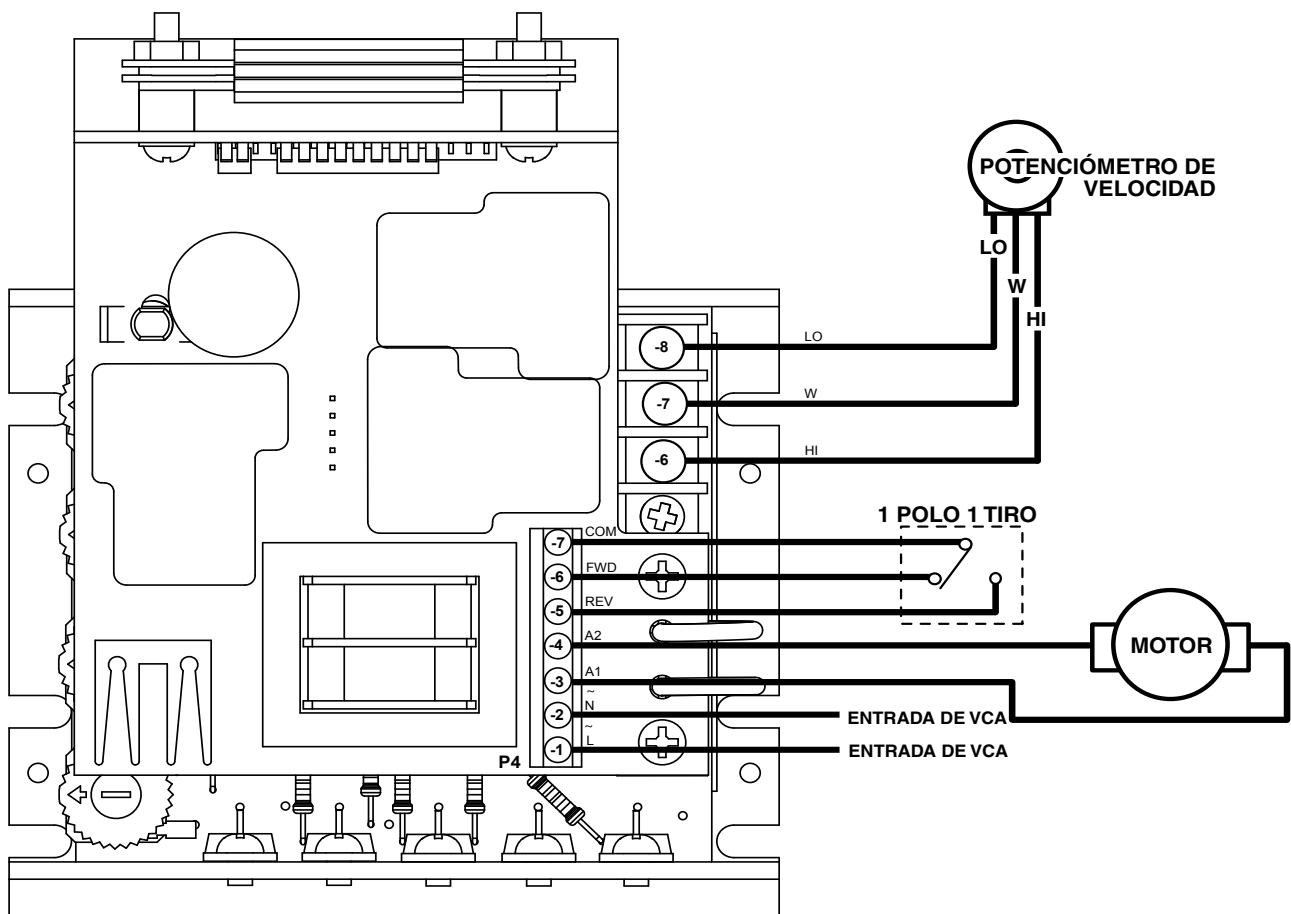
Advertencia:

1. Asegúrese de que el gabinete de control esté correctamente conectado a tierra.
2. Para aplicaciones sin potenciómetro de velocidad, ¡la conexión de entrada a las terminales LO, WIPER, y HI (Bajo. contacto deslizante y alto) no debe estar conectada a tierra!
Una entrada conectada a tierra puede producir un grave daño al control.

DIAGRAMA DE CONEXIÓN DEL 130

Advertencia:

No intente realizar la prueba del potenciómetro HI (alto) entre las líneas de CA con el control en circuito. Esto producirá un daño al control inmediato o a largo plazo.



ARRANQUE DEL CONTROL

ADVERTENCIA: ¡SE DEBE DESCONECTAR TODA LA ENERGÍA ANTES DE CONTINUAR!

1. Vuelva a comprobar todo el cableado. Las conexiones a tierra accidentales o los cables sueltos o aplastados en el inducido o el potenciómetro de velocidad pueden dañar el control cuando se aplica energía.
2. Compruebe que el suministro de entrada sea de la tensión correcta.
3. Gire el potenciómetro de velocidad hasta cero (completamente a la izquierda).
4. Conecte la energía, cierre el contacto desde COM(P4-7) a FWD(P4-6) o REV(P4-5) y avance el potenciómetro de velocidad mientras observa la rotación del motor. **La energía debe estar desconectada antes de ejecutar el paso 5.**
5. Si la rotación del motor es incorrecta para la dirección seleccionada, corte la energía en el dispositivo de desconexión externo e invierta las conexiones de motor A1 y A2.

6. Compruebe que la operación sea satisfactoria en todo el rango de velocidad.
7. Abra la conexión de FWD/REV a COM para verificar que el motor frene hasta velocidad cero.
8. Si la operación es satisfactoria, no es necesario hacer un reajuste.
9. Si se observa inestabilidad o pulsaciones, o si los ajustes de velocidad máxima y mínima necesitan más ajuste, consulte "TABLA Y PROCEDIMIENTO DE AJUSTE DE POTENCIÓMETRO".
10. Para resolver otros problemas, consulte la página 10, "EN CASO DE DIFICULTADES".

TABLA Y PROCEDIMIENTO DE AJUSTE DE POTENCIÓMETRO

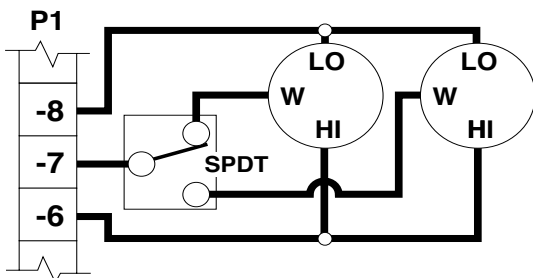
Los ajustes se aplican cuando se usa un potenciómetro de velocidad maestro de 5K ohms. Esta tabla se usa junto con el procedimiento de ajuste y es aproximada.					
	C.L.	I.R.	MAX	HP	
130LC12 130HC12 120 Entrada de VCA; 0-90 Salida de VCD					1/50
					1/20
					1/8
130LC100 130HC100 120 Entrada de VCA; 0-90 Salida de VCD					1/8
					1/4
					1/3
					1/2
					3/4*
					1.0*
La operación del control fuera de $\pm 10\%$ de la tensión de línea normal podría ser causa de un reajuste. Estos ajustes son permanentes; normalmente no se necesita un reajuste periódico.					

Los ajustes se aplican cuando se usa un potenciómetro de velocidad maestro de 5K ohms. Esta tabla se usa junto con el procedimiento de ajuste y es aproximada.					
HP	C.L.	I.R.	MAX		
1/20 1/8 1/4					132LC25 132HC25 240 Entrada de VCA; 0-180 Salida de VCD
1/4 1/3 1/2 3/4* 1.0* 1.5* 2.0*					132LC200 132HC200 240 Entrada de VCA; 0-180 Salida de VCD

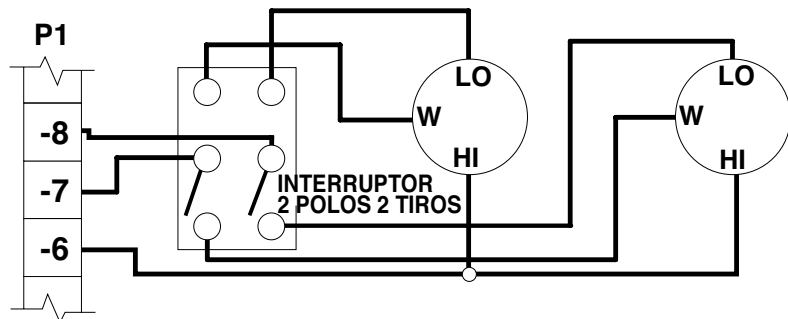
MODIFICACIONES AL CONTROL

POTENCIÓMETRO DE AJUSTE	FUNCIÓN	AJUSTE
MIN.	Fija la velocidad mínima del motor cuando se ajusta a cero el potenciómetro de velocidad. La rotación a la derecha aumentará la velocidad mínima del motor.	<ol style="list-style-type: none"> 1. Seleccione una dirección y ajuste el Potenciómetro de velocidad a cero (completamente a la izquierda). 2. Gire el potenciómetro de ajuste MIN a la derecha hasta que el motor empiece a girar. 3. Gire lentamente el potenciómetro de ajuste MIN a la izquierda hasta que el motor se detenga. NOTA: Si se desea rotación del motor, gire el potenciómetro de ajuste MIN a la derecha hasta alcanzar la velocidad MÍNIMA deseada.
IR COMP	Proporciona un medio de mejorar la regulación de velocidad del motor. Si un cambio de carga no es un motivo de inquietud, gire este potenciómetro de ajuste completamente a la izquierda.	<ol style="list-style-type: none"> 1. Seleccione una dirección y ajuste el Potenciómetro de velocidad a 50%. 2. Observe la velocidad del motor en condición sin carga. 3. Aplique carga plena al motor. 4. Gire el potenciómetro de ajuste IR COMP a la derecha hasta obtener la misma velocidad del motor que en la condición sin carga.
MAX.	Fija la velocidad máxima del motor cuando el potenciómetro de velocidad se ajusta al máximo (rotación completamente a la derecha). La rotación a la derecha del potenciómetro de ajuste MAX aumenta la velocidad máxima del motor.	<ol style="list-style-type: none"> 1. ¡CORTE LA ENERGÍA DEL CONTROLADOR! 2. Conecte un voltímetro de CD entre A1 y A2. NOTA: ¡El medidor no debe estar conectado a tierra! 3. Ajuste el rango del medidor si es necesario: (90 VCD para 120 VCA, 180 VCD para 240 VCA). 4. Conecte la energía. Seleccione una dirección y ajuste el Potenciómetro de velocidad a 100%. 5. Ajuste el potenciómetro de ajuste MAX a la tensión del inducido del motor como se indica en el medidor. NOTA: Se puede usar un tacómetro o estrobo en lugar de un medidor. Siga los pasos anteriores; solo ajuste el potenciómetro de ajuste MAX a la velocidad base nominal del motor indicada por el tacómetro o estrobo.
CUR.LIM.	Limita la corriente de inducido del motor de CD (par motor) para impedir el daño al motor o control. El límite de corriente del motor nominal. La rotación a la derecha de este potenciómetro de ajuste aumenta la corriente de inducido (o par producido).	<ol style="list-style-type: none"> 1. ¡CORTE LA ENERGÍA DEL CONTROLADOR! 2. Conecte un amperímetro de CD entre A1 en el motor y A1 en el control. Esto es en serie con el motor. NOTA: ¡El medidor no debe estar conectado a tierra! 3. Conecte la energía. 4. Seleccione una dirección y ajuste el Potenciómetro de velocidad a la posición de 50%. 5. Aplique freno de fricción a la flecha del motor hasta que el motor se atasque. 6. Con el motor atasgado, fije la corriente a 125% de la corriente de inducido del motor nominal al ajustar el potenciómetro de ajuste CUR. LIM .

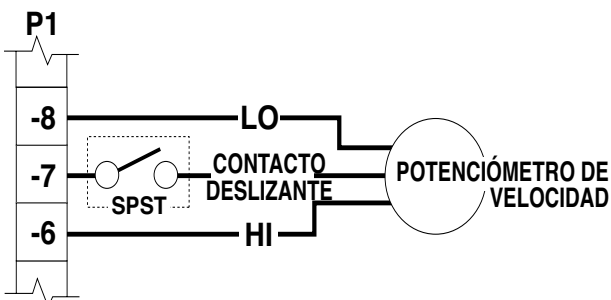
OPERACIÓN CON DOS VELOCIDADES USANDO DOS POTENCIÓMETROS DE VELOCIDAD DE 10K



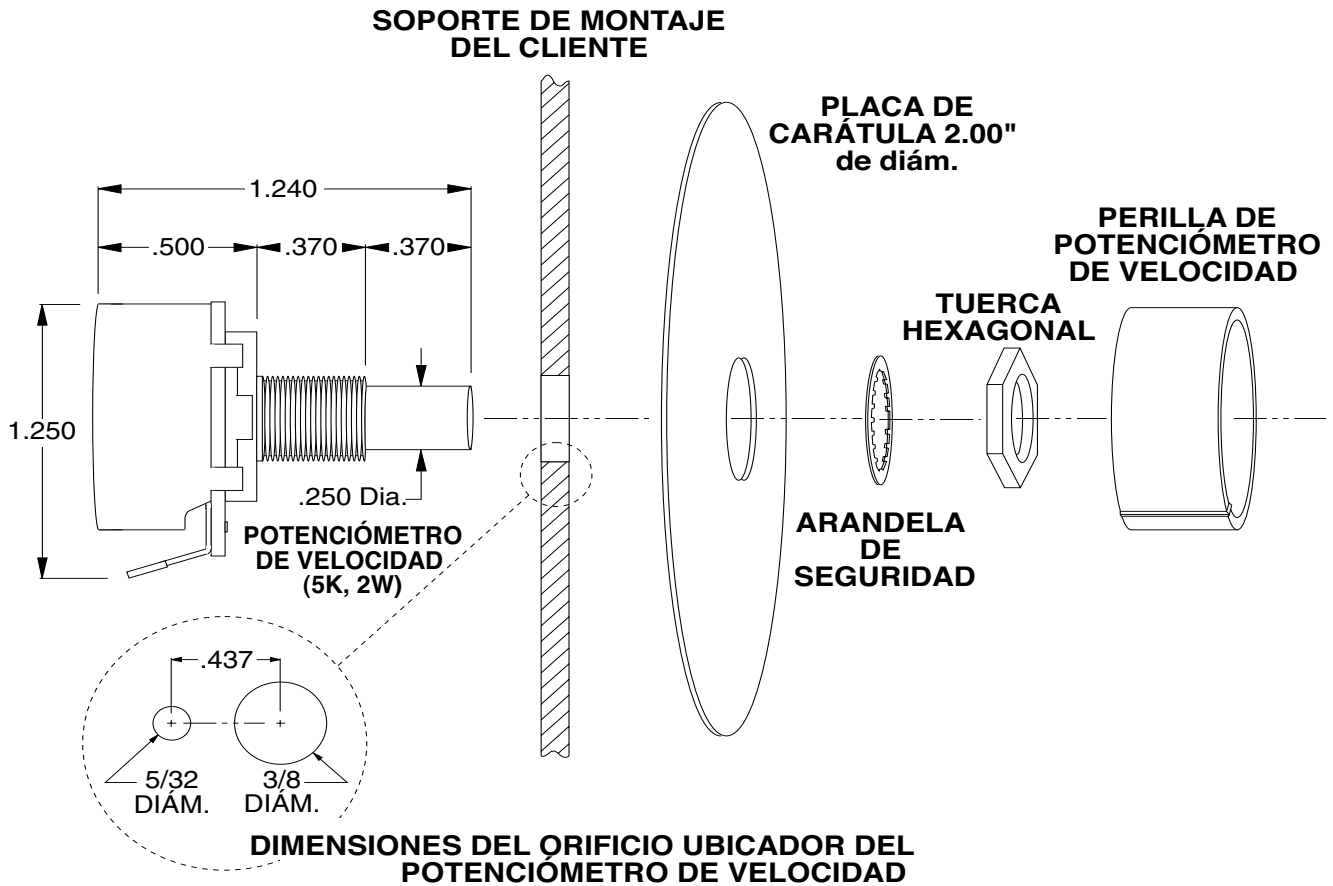
OPERACIÓN CON DOS VELOCIDADES USANDO DOS POTENCIÓMETROS DE VELOCIDAD DE 5K



INHIBIT



JUEGO DE ENSAMBLE DE POTENCIÓMETRO DE VELOCIDAD



DESCRIPCIONES DE OPCIONES

Opción -K

Intervalos de tiempo de aceleración _____ Instalados en fábrica

Esta opción estipula el tiempo de aceleración indicado abajo. El tiempo de aceleración estándar es 0.5 segundos.

TIEMPO DE ACELERACIÓN ----- 6 segundos
 USE CONEXIÓN ESTÁNDAR

EN CASO DE DIFICULTADES

PROBLEMA	CAUSAS POSIBLES	ACCIONES CORRECTIVAS
El motor no funciona	<ul style="list-style-type: none"> - Fusible o disyuntor fundidos - Fuente de energía es inadecuada o no existe - Potenciómetro de velocidad ajustado a cero - Escobillas del motor desgastadas 	<p>Reemplace el fusible o restablezca el disyuntor Instale el suministro adecuado</p> <p>Ajuste el potenciómetro de velocidad a la izquierda para arrancar Reemplace las escobillas</p>
La tensión de salida de inducido no se puede ajustar; la salida es un nivel de CD constante	<ul style="list-style-type: none"> - No se conectó a motor o carga - Conexión baja de potenciómetro de velocidad abierta 	<p>Compruebe que el motor o la carga se haya conectado a las terminales de inducido Compruebe que el alambre LO (bajo) del potenciómetro de velocidad esté conectado</p>
El motor se atasca, o funciona muy lentamente con el control de velocidad completamente a la derecha	<ul style="list-style-type: none"> - Baja tensión - Condición de sobrecarga - Escobillas del motor desgastadas - Ajuste incorrecto de MAX SPEED 	<p>Compruebe que la tensión de CA sea superior a 100VCA Reduzca la carga o aumente el tamaño del motor y/o el ajuste C.L. Reemplace las escobillas Consulte PROCEDIMIENTO DE AJUSTE</p>
El motor está inestable	<ul style="list-style-type: none"> - Corriente del motor menor de 150 mA - IR COMP excesiva - El motor está en el límite de corriente - La velocidad del motor está por encima de la velocidad nominal - Valor de Max tiene un ajuste demasiado alto 	<p>La corriente del motor debe ser mayor de 150 mA C.D. Consulte PROCEDIMIENTO DE AJUSTE Consulte PROCEDIMIENTO DE AJUSTE</p> <p>Reduzca la velocidad</p> <p>Consulte PROCEDIMIENTO DE AJUSTE</p>
Los fusibles se funden uno tras otro	<ul style="list-style-type: none"> - Baja tensión - Condición de sobrecarga - Escobillas del motor desgastadas - Rodamientos de motor defectuosos - Componentes eléctricos defectuosos 	<p>Compruebe que la tensión de CA sea superior a 100VCA Reduzca la carga Reemplace Reemplace</p> <p>Llame al distribuidor o representante de Dart</p>

Si el control sigue sin operar, consulte con su distribuidor o representante de Dart.

ESPECIFICACIONES

Tensión de entrada de CA ----- $\pm 10\%$ de la tensión de línea nominal
 Aceleración ----- 0.5 segundos estándar 125D
 Amperios - salida CD; (Modelos 130XX12 & 132XX25) ----- 500 mA a 1.2 ACD
 (Modelos 130LC100 y 132LC200) ----- 500 mA a 5.5 ACD*
 (Modelos 130HC100 y 132HC200) ----- 500 mA a 10 ACD
 Capacidad de sobrecarga del controlador ----- 200% durante un minuto
 Rango de potenciómetro de ajuste de límite de corriente; (Modelos 130XX12 & 132XX25) -- 0.3 a 3 ACD
 (Modelos 130XX100 & 132XX200) 1 a 18 ACD
 Desaceleración ----- 0.5 segundos (125D estándar)
 Dimensiones y pesos:

MODELOS LC	ANCHO	LONGITUD	PROFUNDIDAD	PESO
U. INGLESAS	4.967"	4.250"	2.688"	1.08lb.
U. MÉTRICAS	126.16mm	107.95mm	68.27mm	489.87g
MODELOS HC	ANCHO	LONGITUD	PROFUNDIDAD	PESO
U. INGLESAS	6.250"	7.000"	4.063"	3.30lb.
U. MÉTRICAS	158.75mm	177.80mm	103.20mm	1496.80g

Factor de servicio del control ----- 1.0
 Eficiencia ----- 85% típica
 Frecuencia de entrada ----- 50 ó 60 Hertz
 Máximo rango de velocidad de potenciómetro de ajuste ----- 60% a 110% de la velocidad base
 Mínimo rango de velocidad de potenciómetro de ajuste ----- 0% a 30% de la velocidad máxima
 Dispositivos de energía ----- pestaña de gabinete aislada
 Tensión de campo de derivación ----- 100 VCD para entrada de 120 VCA;
 200 VCD para entrada de 240 VCA;
 Corriente de campo de derivación ----- 1 amperio CD máximo
 Control de velocidad ----- mediante potenciómetro de 5Kohms a 0.5W o señal aislada de 0-10 VCD
 Rango de velocidad ----- 50:1
 Regulación de velocidad ----- $\pm 1\%$ de la velocidad base
 Rango de temperatura ----- -10° a 45° C. ambiente (15° a 115° F.)
 Protección contra transientes ----- MOV tipo G
 Disparo ----- optoaislador
 Ciclos de arranque y paro por minuto (modelos LC) ----- 3 por minuto**
 (Modelos HC) ----- 30 por minuto**

Aprobación ----- 

* Con un disipador de calor externo adecuado (en el que la extrusión de temperatura del 130 no exceda 70° C.), la especificación máxima para amperios de salida se puede aumentar a 10 amperios de CD.

** Los ciclos por minuto se basan en cargas de tipo inercial típicas. Se puede lograr cifras más altas de ciclos por minuto con par constante o con cargas de tipo de baja inercia. Se pueden requerir cifras más bajas de ciclos por minuto para cargas de tipo de muy elevada inercia.

CORRIENTES DEL MOTOR TÍPICAS

Caballos	1/50	1/20	1/8	1/4	1/3	1/2	3/4	1.0	1.5	2.0
Amperios típicos CA (120 VCA)	0.50	1.00	2.00	3.50	4.40	6.50	9.30	13.20	-----	-----
Amperios de inducido típicos (120 VCA)	0.42	0.81	1.60	2.70	3.40	5.00	8.20	10.90	-----	-----
Amperios típicos CA (240 VCA)	-----	0.80	1.20	1.80	2.20	3.30	4.80	6.50	9.70	12.90
Amperios de inducido típicos (240 VCA)	-----	0.40	0.60	1.40	1.70	2.50	3.70	5.00	8.20	11.60

- Notas -

- Notas -

Renvois rapides

**Vous désirez connaître les modèles et les options disponibles?
Reportez vous en page 4.**

**Vous désirez connaître les spécifications détaillées de
l'équipement?
Reportez vous en page 11.**

**Vous désirez que l'équipement soit rapidement mis en service?
Reportez vous aux connexions électriques de base
en page 6.
Reportez vous aux instructions d'installation mécanique
en page 3.**

**Vous avez besoin d'aide?
Reportez vous aux instructions de dépannage en page 10.**

Garantie

La société Dart Controls, Inc. (DCI) garantit que ses produits ne présenteront aucun défaut de matériau ou de fabrication. L'unique recours offert avec cette garantie est le remplacement par DCI toute pièce ou tout produit défectueux dans un délai de 12 mois après livraison à l'acheteur, à condition que la pièce ou le produit soit retourné à DCI en port payé et que DCI détermine qu'il y a bien défectuosité. Cette garantie ne s'applique pas aux défauts d'assemblage attribuables à une personne ne travaillant pas pour DCI, ni aux pièces ayant été réparées ou modifiées par une personne ne travaillant pas pour DCI ni aux pièces que DCI estimera avoir fait l'objet d'une mauvaise utilisation. DCI n'assumera aucune responsabilité pour les caractéristiques de conception technique d'un produit, ni concernant son fonctionnement dans un circuit ou un assemblage. Cette garantie remplace toute autre garantie expresse ou implicite. Par les présentes, DCI rejette toute autre responsabilité ou obligation pouvant lui être attribuée, notamment pour des dommages indirects.

REMARQUE : Dès réception de l'équipement, vérifiez soigneusement s'il n'a pas été endommagé durant le transport. Tout dommage doit être déclaré immédiatement au transporteur. Ne tentez pas d'utiliser l'équipement s'il présente des dommages évidents au niveau d'un circuit ou d'un composant électronique.

Toutes les informations figurant dans ce manuel étaient réputées exactes lors de sa publication mais elles demeurent sujettes à modification ultérieure sans préavis. La société DCI n'offre aucune garantie concernant les informations présentées dans le présent document. En outre, DCI ne peut être responsable de quelque omission, erreur ou dommage consécutif causé par l'utilisateur de l'équipement. La société DCI se réserve le droit d'apporter des modifications techniques ne pouvant figurer dans ce manuel.

AVERTISSEMENT

Une mauvaise installation ou utilisation de cet équipement peut causer des blessures et des anomalies de fonctionnement de l'équipement. L'équipement doit être installé conformément aux normes de sécurité locales, provinciales et nationales. Avant de tenter de réparer ou d'enlever un composant, assurez vous que l'alimentation électrique est déconnectée. Si la fiche de connexion n'est pas à la vue du technicien, elle doit être verrouillée en position déconnectée et étiquetée en conséquence, afin de prévenir toute connexion inattendue. Les opérations d'entretien et de dépannage électrique nécessaires à cet équipement doivent être effectuées uniquement par un électricien ou un technicien qualifié. Il ne faut jamais vérifier la continuité d'un circuit avec court circuitant les bornes de connexion avec un tournevis ou un autre objet métallique.

TABLE DES MATIÈRES

INTRODUCTION	2
CARACTÉRISTIQUES DU VARIATEUR	2
DIMENSIONS DE MONTAGE ET DU DISSIPATEUR DES VARIATEURS DE SÉRIE 130	3
CHOIX DU MODÈLE	4
PROCÉDURE DE CÂBLAGE ET FUSIBLES	4
INSTRUCTIONS DE CÂBLAGE DE LA BANDE DE BORNES	4
SCHÉMA DE CONNEXIONS SÉRIE 130	6
DÉMARRAGE DU VARIATEUR	6
PROCÉDURE ET TABLEAU DE RÉGLAGE DES POTENTIOMÈTRES	7
MODIFICATIONS AU MODULE DE COMMANDE	9
ASSEMBLAGE DU KIT DE VARIATEUR	9
DESCRIPTION DES OPTIONS	9
EN CAS DE DIFFICULTÉ	11
SPÉCIFICATIONS	11

INTRODUCTION

- Les variateurs-inverseurs de série 130 ont été conçus pour procurer des inversions instantanées, des arrêts courts et précis, ainsi que des cycles rapides de démarrage/arrêt dans une grande variété d'applications avec moteur c.c. Les variateurs de la série 130 sont nettement plus efficaces que les autres systèmes de freinage rhéostatique et d'inversion, grâce à un dispositif unique de détection de vitesse nulle exclusif à Dart, ainsi qu'à des circuits de freinage rhéostatique assistés par transistors. Ces circuits éliminent les problèmes d'arc de contact et de perte de freinage pouvant survenir avec d'autres systèmes de freinage rhéostatique et d'inversion. Le circuit exclusif de détection de vitesse nulle utilisé par Dart élimine également les problèmes de blocage de moteur lors des inversions en s'assurant que l'alimentation électrique n'est pas remise sur le moteur tant que la vitesse n'est pas vraiment nulle.
- Les variateurs de série 130 sont également conçus de telle sorte que s'ils cessent soudainement de recevoir une alimentation électrique ou si un opérateur exécute un arrêt d'urgence, ils se placent automatiquement en freinage rhéostatique de façon à rapidement arrêter le moteur en toute sécurité, jusqu'à ce que l'alimentation électrique soit remise et qu'un fonctionnement normal puisse reprendre.
- Les variateurs de série 130 sont livrés dans un boîtier extrêmement compact et répondent aux normes d'encombrement de l'industrie relativement aux montages horizontaux et verticaux.
- Les variateurs de série 130 sont disponibles avec des sorties allant des 500mA à 10A c.c., ainsi que des capacités d'entrée allant de 120V à 240V c.a., ce qui correspond à une plage de puissance allant de 1/50 HP à 1 HP sous 90V c.c. ou de 1/25 HP à 2 HP sous 180V c.c.
- Ces variateurs sont conçus pour fonctionner avec des moteurs à aimant permanent et des moteurs shunts dont la puissance se situe dans les plages ci dessus.
- La tension d'entrée c.a. est convertie en tension c.c. réglable à redressement double alternance, permettant de faire fonctionner le moteur à courant continu. En outre, une tension locale double alternance est disponible pour les moteurs shunts.
- Ces variateurs possèdent un dispositif de protection contre les pointes de tension transitoires avec limite de courant réglable, lequel s'insère dans un boîtier compact. Ils possèdent aussi un dispositif réglable de compensation des surcharges (IR COMP) avec paramètres de vitesse minimale et de vitesse maximale.
- Dispositif de démarrage progressif disponible en option (transmettez directement à l'usine les exigences du fabricant du moteur).
-  Fichier U.L. n° E78180 (N).

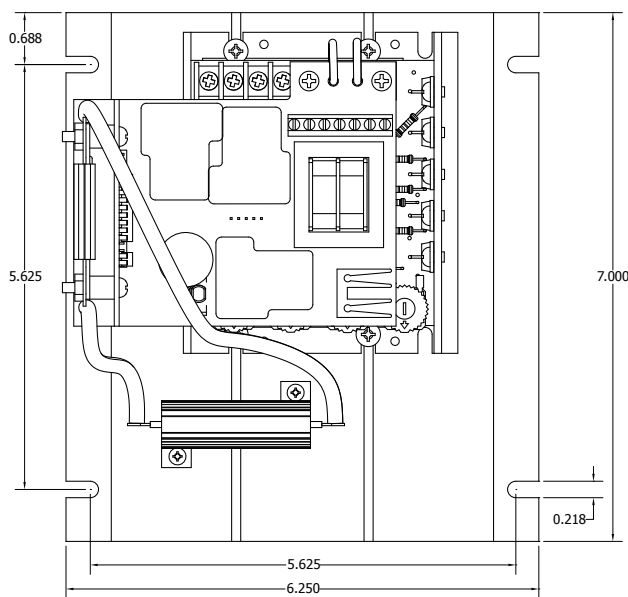
CARACTÉRISTIQUES DU VARIATEUR

- **MINIMUM SPEED (vitesse minimale)** - Permet d'ajuster la vitesse du moteur lorsque le variateur est réglé au minimum (sens anti horaire). Cette fonction élimine toute " zone morte " sur le régulateur de vitesse principal, permettant ainsi un véritable étalonnage du zéro. Lorsque le potentiomètre d'ajustement " MIN " est tourné dans le sens horaire, la vitesse augmente.
- **MAX SPEED (vitesse maximale)** - Permet d'ajuster la vitesse du moteur lorsque le variateur est réglé au maximum (sens horaire). Cette fonction élimine la " zone morte " supérieure, procurant ainsi une vitesse maximale lorsque la rotation est au plus rapide. Lorsque le potentiomètre d'ajustement " MAX " est tourné dans le sens horaire, la vitesse maximale du moteur augmente.
- **IR COMP (régulation de vitesse)** - Permet de régler le circuit responsable de la régulation de vitesse du moteur. Ce circuit commande la vitesse de l'induit en modifiant la tension qu'il reçoit selon les augmentations/diminutions de charge du moteur. Lorsque le potentiomètre d'ajustement " IR COMP " est tourné dans le sens horaire, la compensation est augmentée.

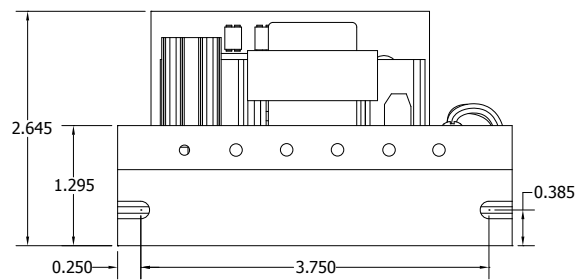
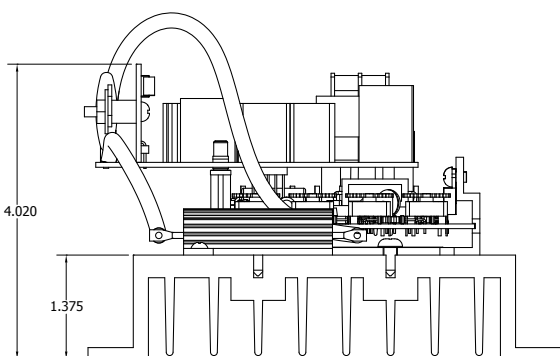
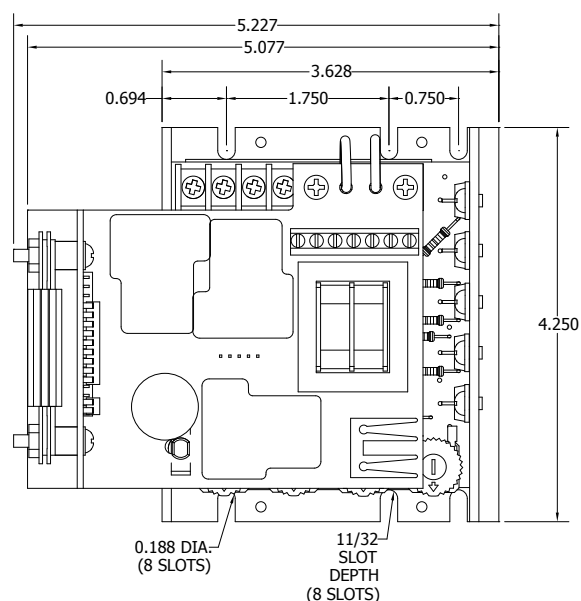
- **CUR. LIM. (limite de courant)** - Offre une protection contre les courants excessifs dans l'induit en limitant le courant maximal pouvant lui être transmis. Cette fonction permet de régler le couple maximal pouvant être produit par le moteur. Le paramètre de réglage du couple (CUR. LIM.) est préréglé à 125% du couple nominal du moteur (courant nominal) selon sa puissance en HP. Lorsque le potentiomètre d'ajustement " CUR. LIM. " est tourné dans le sens horaire, le couple (courant) transmis par le variateur augmente.
- **BLOC DE JONCTION BARRIÈRE** - Permet de connecter les lignes c.a., les fils conducteurs du moteur, le champ du moteur (si nécessaire), le variateur de vitesse et les entrées avancer-freiner-inverser.
- **RÉSISTANCE INTÉGRÉE DE FREINAGE RHÉOSTATIQUE** - L'usine vous renseignera sur les options de montage à distance de la résistance de freinage.
- **FREIN DE PERTE D'ALIMENTATION** - Si le variateur cesse soudainement de recevoir une alimentation électrique ou si un opérateur exécute un arrêt d'urgence, il se place automatiquement en freinage rhéostatique de façon à rapidement arrêter le moteur en toute sécurité, jusqu'à ce que l'alimentation électrique soit remise et qu'un fonctionnement normal puisse reprendre.

DIMENSIONS DE MONTAGE ET DU DISSIPATEUR DES VARIATEURS DE SÉRIE 130

DISSIPATEUR THERMIQUE
AUXILIAIRE - HS (125D)



DISSIPATEUR THERMIQUE
STANDARD



ATTENTION :
NE PAS INSTALLER DANS UN ENDROIT OÙ LA TEMPÉRATURE AMBIANTE PEUT ÊTRE INFÉRIEURE
À -10°C (15°F) OU SUPÉRIEURE À 45°C (115°F)

CHOIX DU MODÈLE

TENSION D'ENTRÉE	TENSION DE SORTIE	NUMÉRO DE MODÈLE	SORTIE* (A c.c.)	PUISSANCE (HP)
120 V c.a.	0-90 V c.c.	130LC12	1.2 A c.c.	1/50 – 1/8
120 V c.a.	0-90 V c.c.	130LC100	5.5 A c.c.*	1/8 – 1/2*
120 V c.a.	0-90 V c.c.	130HC12	1.2 A c.c.	1/50 – 1/8
120 V c.a.	0-90 V c.c.	130HC100	10 A c.c.*	1/8 – 1
240 V c.a.	0-180 V c.c.	132LC25	1.2 A c.c.	1/25 – 1/4
240 V c.a.	0-180 V c.c.	132LC200	5.5 A c.c.*	1/4 – 1*
240 V c.a.	0-180 V c.c.	132HC25	1.2 A c.c.	1/25 – 1/4
240 V c.a.	0-180 V c.c.	132HC200	10 A c.c.*	1/4 – 2

REMARQUE : * Avec un dissipateur thermique approprié (lorsque la température d'extrusion du 130 ne dépasse pas 70°C), la capacité maximale de sortie peut être augmentée à 10A c.c. jusqu'à 1HP sous 90Vc.c. ou jusqu'à 2HP sous 180Vc.c.

PROCÉDURE DE CÂBLAGE ET FUSIBLES

- Tous les fils transportant un courant de ligne ou d'induit doivent être de grosseur conforme aux **NORMES LOCALES, PROVINCIALES ET NATIONALES**. Tous les autres fils peuvent être de grosseur AWG 18 ou moins, selon les normes en vigueur.
- Séparez les fils de commande** provenant de l'induit et des lignes c.a. lorsque vous les faites passer dans une conduite ou un passe fils.
- Fusible** - Le moteur et le variateur sont protégés contre les surcharges par un circuit limiteur de courant et par un fusible installé par le client sur la ligne c.a. **IL EST POSSIBLE QUE CETTE PROTECTION SOIT DÉJÀ INSTALLÉE PAR LE CLIENT SOUS FORME DE DISJONCTEURS OU FUSIBLES SUR LES DEUX LIGNES PRINCIPALES. SI CE N'EST PAS LE CAS :**

ENTRÉE 120 V c.a. - La protection par fusible ou disjoncteur doit être ajoutée par le client sur la ligne c.a. sous tension (voir tableau ci dessous).

ENTRÉE 240 V c.a. - La protection par fusible ou disjoncteur doit être ajoutée par le client sur les deux lignes c.a. sous tension (voir tableau ci dessous).

FUSIBLE AJOUTÉ PAR LE CLIENT (fusible céramique Little Fuse série 314 ou Bussman ABC)

PUISSANCE (HP)	ENTRÉE 120 V c.a.	ENTRÉE 240 V c.a.
1/50	2 A	-----
1/20	2 A	1 A
1/8	3 A	2 A
1/4	4 A	3 A
1/3	6 A	3 A
1/2	8 A	4 A
3/4	12 A	6 A
1.0	15 A	8 A
1.5	-----	12 A
2.0	-----	15 A

INSTRUCTIONS DE CÂBLAGE DE LA BANDE DE BORNES

Connexions du bloc de jonction supérieur (P4)

- P4-1 (AC1 / L)** – Lignes c.a. monophasées (120V c.a. Amérique du Nord ou 240V c.a. Europe) : Connectez le côté sous tension de la ligne c.a. à cette borne. Systèmes avec deux lignes c.a. sous tension (240V c.a. en Amérique du Nord) : Connectez l'une des lignes c.a. sous tension à cette borne.

- P4-2 (AC2/N) – Lignes c.a. monophasées (120V c.a. Amérique du Nord ou 240V c.a. Europe) : Connectez le côté neutre de la ligne c.a. à cette borne. Systèmes avec deux lignes c.a. sous tension (240V c.a. en Amérique du Nord) : Connectez l'une des lignes c.a. sous tension à cette borne.
- P4-3 (A1) – Pour la rotation en sens horaire du moteur (rotation avant), connectez le fil positif (+) de l'induit du moteur à cette borne.
- P4-4 (A2) – Pour la rotation en sens anti-horaire du moteur (rotation inverse), connectez le fil négatif (-) de l'induit du moteur à cette borne.
- P4-5 (REV) – Borne d'entrée pour la rotation en sens inverse. Lorsqu'elle est reliée à la borne COM, le variateur relâche le circuit de freinage et accélère jusqu'à son point de consigne dans le sens inverse. Lorsque la connexion à la borne COM est ouverte, le variateur freine jusqu'à une vitesse nulle. La connexion à la borne COM peut être réalisée avec un commutateur mécanique, un contact de relais ou un commutateur à collecteur ouvert transistorisé sans mise à la terre. Les paramètres de commutations sont de 5V c.c. à moins de 1mA.
- P4-6 (FWD) – Borne d'entrée pour la rotation vers l'avant. Lorsqu'elle est reliée à la borne COM, le variateur relâche le circuit de freinage et accélère jusqu'à son point de consigne en rotation vers l'avant. Lorsque la connexion à la borne COM est ouverte, le variateur freine jusqu'à une vitesse nulle. La connexion à la borne COM peut être réalisée avec un commutateur mécanique, un contact de relais ou un commutateur à collecteur ouvert transistorisé sans mise à la terre. Les paramètres de commutations sont de 5V c.c. à moins de 1mA.
- P4-7 (COM) – Borne commune pour les commandes de freinage rhéostatique et de vitesse avant/inverse. **Cette borne ne doit pas être mise à la terre ni être connectée en permanence à une autre borne.**

Connexions du bloc de jonction supérieur (P1)

- P1-4 (-A/-F) – **NE PAS** utiliser avec un moteur à aimant permanent. Cette borne transmet une tension d'excitation négative à un MOTEUR SHUNT (voir le tableau des tensions d'excitation). Si le moteur peut utiliser deux tensions d'excitation (par ex. 50/100V ou 100/200V), assurez vous que la connexion est établie avec la valeur la plus élevée. Remarque : Pour établir la connexion à cette borne, vous devrez placer une fourchette ou un connecteur à anneau sous la tête de vis.
- P1-5 (+F) – **NE PAS** utiliser avec un moteur à aimant permanent. Cette borne transmet une tension d'excitation positive à un MOTEUR SHUNT (voir le tableau des tensions d'excitation). Si le moteur peut utiliser deux tensions d'excitation (par ex. 50/100V ou 100/200V), assurez vous que la connexion est établie avec la valeur la plus élevée.

TABLEAU DES TENSIONS D'EXCITATION		
ENTRÉE C.A.	120	240
EXCITATION C.C.	100	200

- P1-6 (HI / extrémité supérieure du variateur) – Reliez cette borne à l'extrémité supérieure (fil blanc) du variateur (extrémité sens horaire). Il s'agit d'une borne interne sous +12V c.c. Dans le cas d'applications marche/arrêt, la connexion entre cette borne et l'extrémité supérieure du variateur peut être ouverte et fermée par un commutateur unipolaire à deux directions. **L'ENTRÉE NE DOIT PAS ÊTRE MISE À LA TERRE!**
- P1-7 (WIPER / balai du variateur) – Reliez cette borne au balai (fil rouge) du variateur (conducteur central). Dans le cas d'applications avec suiveur de tension, cette **ENTRÉE NE DOIT PAS DÉPASSER +12V ET NE DOIT PAS ÊTRE MISE À LA TERRE!**
- P1-8 (LO / extrémité inférieure du variateur) – Reliez cette borne à l'extrémité inférieure (fil orange) du variateur 5K (extrémité du sens anti hoaire). Cette entrée est augmentée/diminuée par le potentiomètre d'ajustement MIN (5K). Une entrée de vitesse électronique (suiveur de tension) peut être référencée à la borne d'extrémité inférieure du variateur (LO) si les réglages du potentiomètre d'ajustement MIN seront utilisés. Autrement, les entrées doivent être référencées à -ARM, contournant ainsi le potentiomètre d'ajustement MIN. **ENTRÉE NE DEVANT PAS ÊTRE MISE À LA TERRE!**

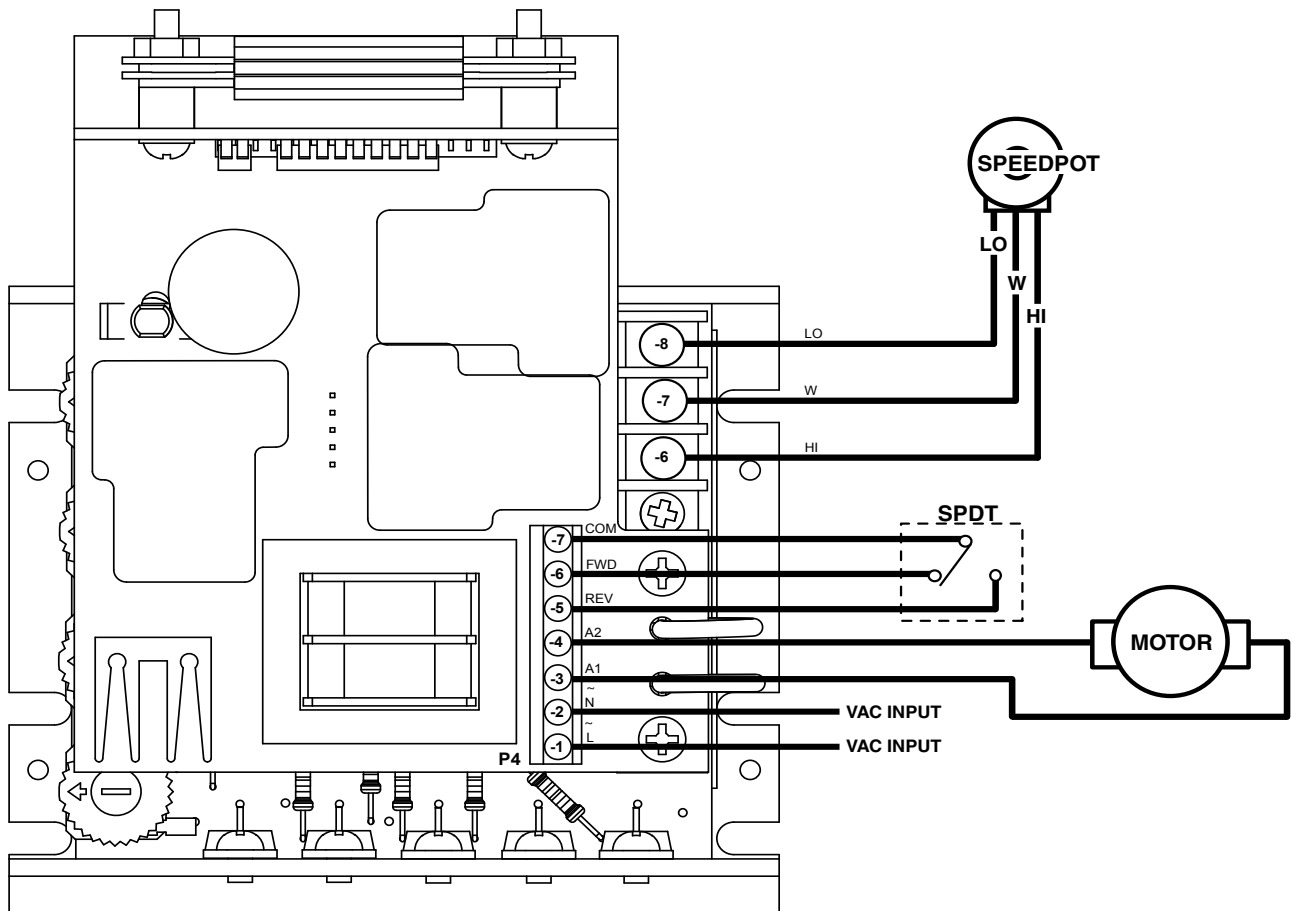
Avertissements :

1. Assurez vous que le boîtier du variateur est correctement mis à la terre.
2. Dans le cas d'applications sans variateur, la connexion d'entrée au bornes LO, WIPER et HI ne doivent pas être mises à la terre! Si une entrée est mise à la terre, l'équipement de commande risque de subir des dommages importants.

SCHÉMA DE CONNEXIONS SÉRIE 130

Avertissements :

Ne tentez pas d'exécuter un essai diélectrique sur des lignes c.a. avec ce module de commande intégré au circuit. Le module de commande risquerait alors de subir des dommages immédiats ou à long terme.



DÉMARRAGE DU VARIATEUR

AVERTISSEMENT : AVANT DE POURSUIVRE, ASSUREZ-VOUS QUE TOUTES LES ALIMENTATIONS SONT COUPÉES!

1. Revérifiez toutes les connexions électriques. Une mise à la terre accidentelle avec un fil desserré ou pincé sur l'induit (ou avec des fils du variateur) risque de causer des dommages au module de commande lorsque l'alimentation est remise.
2. Assurez-vous que l'alimentation électrique reçue est d'une tension appropriée.
3. Tournez le variateur à zéro (sens anti horaire au maximum).
4. Mettez l'alimentation sous tension, fermez le contact entre COM (P4 7) et FWD (P4-6) ou REV (P4-5) et faites avancer le variateur tout en observant la rotation du moteur. **L'alimentation doit être coupée avant d'exécuter l'étape 5!**
5. Si la rotation du moteur ne se fait pas dans la direction choisie, coupez l'alimentation au niveau du sectionneur externe, puis inversez les connexions de moteur A1 et A2.

6. Vérifiez si le fonctionnement est satisfaisant sur toute la plage de vitesses.
7. Ouvrez la connexion RWD/REV avec la borne COM pour vérifier le système de freinage du moteur à vitesse nulle.
8. Si le fonctionnement est satisfaisant, aucun autre réglage n'est nécessaire.
9. Si vous observez une instabilité ou des pointes, ou si les paramètres de vitesse minimale/maximale doivent faire l'objet d'ajustements, reportez vous à " PROCÉDURE ET TABLEAU DE RÉGLAGE DES POTENTIOMÈTRES D'AJUSTEMENT ".
10. Pour tout autre problème, reportez vous en page 10 sous " DÉPANNAGE ".

PROCÉDURE ET TABLEAU DE RÉGLAGE DES POTENTIOMÈTRES

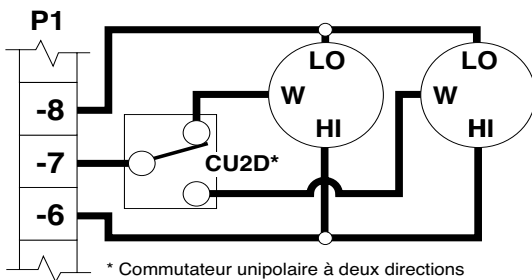
Paramètres valables avec un variateur maître de 5Kohms. Ce tableau doit être utilisé contient des valeurs approximatives et doit être utilisé conjointement avec la procédure de réglage.					
	C.L.	I.R.	MAX	HP	
130LC12 130HC12 Entrée 120V c.a.; sortie 0-90V c.c.					1/50
					1/20
					1/8
130LC100 130HC100 Entrée 120V c.a.; sortie 0-90V c.c.					1/8
					1/4
					1/3
					1/2
					3/4*
					1.0*
L'utilisation du module de commande avec une tension à ±10% de la tension normale peut nécessiter un réajustement. Ces ajustements sont permanents. Aucun réajustement périodique n'est normalement nécessaire.					

Paramètres valables avec un variateur maître de 5Kohms. Ce tableau doit être utilisé contient des valeurs approximatives et doit être utilisé conjointement avec la procédure de réglage.				
HP	C.L.	I.R.	MAX	
1/20				
1/8				
1/4				
1/4				
1/3				
1/2				
3/4*				
1.0*				
1.5*				
2.0*				

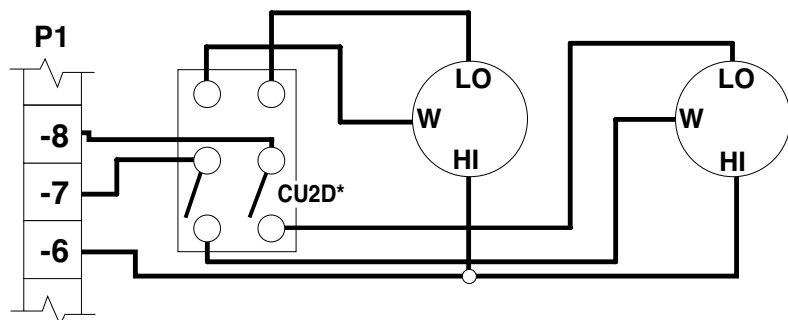
MODIFICATIONS AU MODULE DE COMMANDE

POTENTIO-MÈTRE	FONCTION	AJUSTEMENT
MIN.	Définit la vitesse minimale du moteur lorsque le variateur est réglé sur zero. Une rotation en sens horaire augmente la vitesse minimale du moteur.	<ol style="list-style-type: none"> Sélectionnez une direction et réglez le variateur à zero (bouton tourné au maximum dans le sens anti horaire). Faites tourner le potentiometer MIN dans le sens horaire jusqu'à ce que le moteur commence à tourner. Faites lentement tourner le potentiometer MIN dans le sens anti horaire jusqu' à ce que le moteur s'arrête. REMARQUE: Si une rotation du moteur est souhaitable, faites tourner le potentiometer MIN dans le sens horaire jusqu' à ce que le moteur tourne à la vitesse minimale désirée.
IR COMP	Permet d'améliorer la regulation de vitesse du moteur. Si vous ne craignez pas un ralentissement cause par une variation de charge, tournez complètement ce potentiometer dans le sens anti horaire.	<ol style="list-style-type: none"> Sélectionnez une direction et réglez le variateur à 50%. Observez la vitesse du moteur sans aucune charge. Appliquez une charge complète au moteur. Tournez le potentiometer IR COMP dans le sens horaire jusqu' à ce que vous obteniez la même vitesse de moteur que lorsqu'il n'y avait aucune charge.
MAX.	Définit la vitesse maximale du moteur lorsque le variateur est réglé sur la position maximale (bouton tourné au maximum dans le sens horaire du potentiometer MAX augmente la vitesse maximale du moteur.	<ol style="list-style-type: none"> ARRÊTEZ LE VARIATEUR!! Connectez un voltmeter c.c. entre A1 et A2. REMARQUE: Le voltmètre ne doit pas être mis à la terre!! Si nécessaire, choisissez la plage de tension appropriée sur le voltmeter (sortie 90V c.c. avec entrée 120 c.a. ou sortie 180V c.c. avec entrée 240V c.a.). Mettez l'alimentation sous tension. Sélectionnez une direction et poussez le variateur à 100% Ajustez le potentiometer MAX à la tension nominale de l'induit du moteur, comme l'indique le voltmeter. REMARQUE: Vous pouvez utiliser un tachymètre ou un échantillonneur au lieu d'un voltmeter. Suivez alors les étapes ci dessus, sauf que vous devez ajuster le potentiometer MAX à la vitesse de base nominale du moteur indiquée par le tachymètre ou l'échantillonneur.
CUR.LIM.	Limite le courant c.c. de l'induit du moteur (couple) pour prévenir les dommages pouvant affecter le moteur ou lt module de commande. La limite de courant est définie selon le courant nominal du moteur. Une rotation en sens horaire de ce potentiometer augmente le courant de l'induit (ou couple produit).	<ol style="list-style-type: none"> ARRÊTEZ LE VARIATEUR!! Connectez un ampèremètre c.c. entre la borne A1 du moteur et la borne A1 due module de commande. Cette connexion est en série avec le moteur. REMARQUE: Le voltmètre ne doit pas être mis à la terre!! Mettez l'alimentation sous tension. Sélectionnez une direction et poussez le variateur à 50%. Appliquez le frein à friction sur l'arbre du moteur jusqu'à ce qu'il s'immobilise. Alors que le moteur est arrêté, réglez le potentiometer CUR. LIM. De façon à ce que le courant utilise soit à 125% du courant nominal de l'induit du moteur.

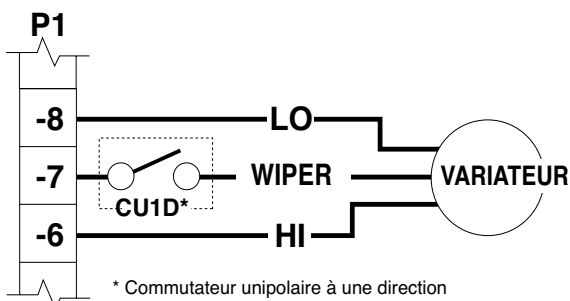
FONCTIONNEMENT DEUX VITESSES AVEC DEUX VARIATEURS 10K



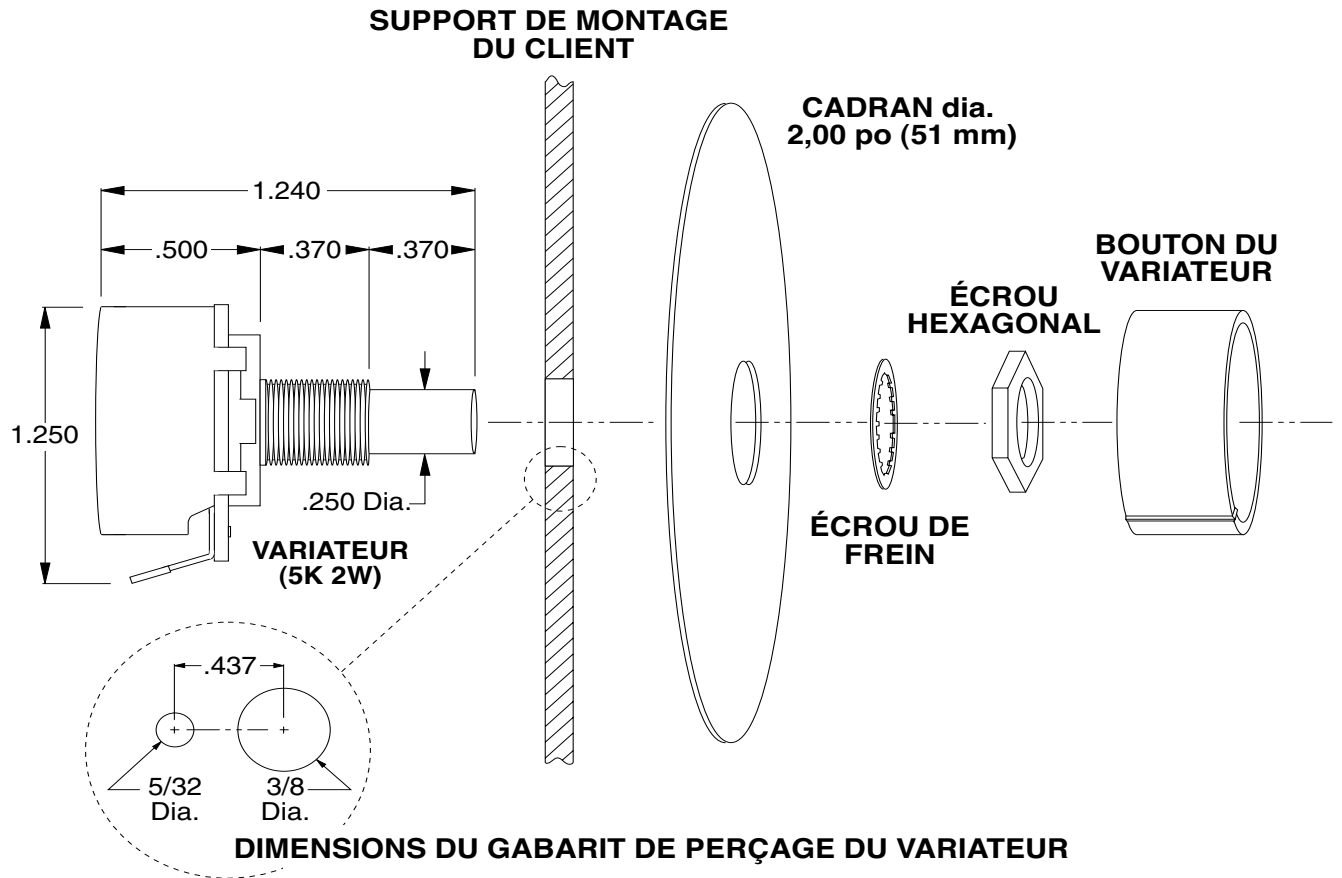
FONCTIONNEMENT DEUX VITESSES AVEC DEUX VARIATEURS 5K



ARRÊT



ASSEMBLAGE DU KIT DE VARIATEUR



DESCRIPTION DES OPTIONS

Option -K

Plages de temps d'accélération
usine

Installation en

Cette option procure le temps d'accélération ci dessous. Le temps d'accélération standard est de 0,5 seconde.

TEMPS D'ACCÉLÉRATION ----- 6
secondes

UTILISER RACCORDEMENT STANDARD

EN CAS DE DIFFICULTÉ

PROBLÈME	CAUSES POSSIBLES	CORRECTIONS
Le moteur ne fonctionne pas	<ul style="list-style-type: none"> - Fusible grille ou disjoncteur déclenché - Alimentation incorrecte ou absente - Variateur réglé à zero - Balais de moteur usés 	<p>Remplacez le fusible ou réarmez le disjoncteur</p> <p>Installez une alimentation appropriée</p> <p>Ajustez le variateur dans le sens horaire pour qu'il démarre</p> <p>Remplacez les balais</p>
<p>La tension de sortie de l'induit ne peut pas être ajustée et la sortie demeure à un niveau c.c. constant</p> <p>Le moteur s'arrête ou tourne très lentement alors que le bouton de vitesse est tourné à fond dans le sens horaire</p>	<ul style="list-style-type: none"> - Aucun moteur ou aucune charge connectée - Connexion basse du variateur ouverte - Tension trop faible - Surcharge - Balais de moteur usés - Mauvais réglage de vitesse maximale 	<p>Assurez-vous que la charge ou le moteur est connecté aux bornes de l'induit</p> <p>Assurez-vous que le fil d'extrémité inférieure du variateur est connecté</p> <p>Assurez-vous que la tension en courant alternatif est au dessus de 100Vc.a.</p> <p>Réduisez la charge ou augmentez la puissance du moteur et/ou paramètre CUR. LIM.</p> <p>Remplacez les balais</p> <p>Voir la PROCÉDURE D'AJUSTEMENT</p>
Le moteur chasse	<ul style="list-style-type: none"> - Le courant arrivant au moteur est inférieur à 150mA - Potentiomètre IR COMP trop tourné - Le moteur est à sa limite de courant - La vitesse du moteur est au dessus de la vitesse nominale - Le réglage de vitesse maximale est trop élevé 	<p>Le courant arrivant au moteur doit être supérieur à 150mA c.c.</p> <p>Voir la PROCÉDURE D'AJUSTEMENT</p> <p>Voir la PROCÉDURE D'AJUSTEMENT</p> <p>Réduisez la vitesse</p> <p>Voir la PROCÉDURE D'AJUSTEMENT</p>
Le fusible grille continuellement	<ul style="list-style-type: none"> - Tension trop faible - Surcharge - Balais de moteur usés - Paliers de moteur défectueux - Composants électriques défectueux 	<p>Assurez-vous que la tension en courant alternatif est au dessus de 100Vc.a.</p> <p>Réduisez la charge</p> <p>Remplacez les</p> <p>Remplacez les</p> <p>Appelez votre représentant ou distributeur Dart</p>


Si le module de commande ne fonctionne toujours pas, consultez votre représentant ou distributeur Dart.

SPÉCIFICATIONS

Tension d'entrée c.a.-----±10% de la tension de ligne nominale
 Accélération -----0,5 seconde standard 125D
 Ampérage - sortie c.c. (modèles 130XX12 et 132XX25) -----500 mA à 1,2 A c.c.
 (modèles 130LC100 et 132LC200) -----500 mA à 5,5 A c.c.*
 (modèles 130HC100 et 132HC200) ----- 500 mA à 10 A c.c.
 Capacité de surcharge du contrôleur -----200% pendant une minute
 Plage du potentiomètre de limite de courant (modèles XX12 et 132XX25) ----- 0,3 à 3 A c.c.
 (modèles 130LC100 et 132LC200) ----- 1 à 18 A c.c.
 Décélération-----0,5 seconde (standard 125 D)
 Dimensions et poids :

MODÈLES LC	LARGEUR	LONGUEUR	PROFONDEUR	POIDS
U. INGLESAS	4,967"	4,250"	2,688"	1,08lb.
U. MÉTRICAS	126,16mm	107,95mm	68,27mm	489,87g
MODÈLES HC	LARGEUR	LONGUEUR	PROFONDEUR	POIDS
U. INGLESAS	6,250"	7,000"	4,063"	3,30lb.
U. MÉTRICAS	158,75mm	177,80mm	103,20mm	1496,80g

Facteur de service du moteur -----1,0
 Efficacité -----85% typique
 Fréquence d'entrée -----50 ou 60 Hz
 Plage de vitesse du potentiomètre MAX ----- 60 -110% de la vitesse de base
 Plage de vitesse du potentiomètre MIN ----- 0 -30% de la vitesse de base
 Accessoires d'alimentation -----Languette de boîtier isolée
 Tension d'excitation shunt ----- 100V c.c. avec entrée 120V c.a.; 200V c.c. avec entrée 240V c.a.
 Courant d'excitation shunt----- Maximum 1 A c.c.
 Contrôle de vitesse -----via potentiomètre 5Kohms 0,5W ou via signal isolé 0-10V c.c.
 Plage de vitesse ----- 50:1
 Régulation de vitesse ----- ±1% de la vitesse de base
 Plage de températures -----Température ambiante de -10° à 45°C (15° à 115°F)
 Protection contre les transitoires ----- G-Mov
 Déclencheur -----Photocoupleur
 Cycles de démarrage/freinage par minute (modèles LC) ----- 3 par minute**
 (modèles HC) ----- 30 par minute**

Aprobación ----- 

* Avec un dissipateur thermique externe approprié (température d'extrusion du modèle 130 ne dépassant pas 70°C), la capacité maximale d'ampérage de sortie peut être augmentée à 10 A c.c.

** Les nombres de cycles par minute sont basés sur des charges avec une inertie typique. Un plus grand nombre de cycles par minute peut être obtenu avec un couple constant ou avec des charges à inertie faible. Il est également possible que le nombre de cycles soit inférieur avec des charges à inertie élevée.

CONSOMMATIONS DE COURANT TYPIQUES DES MOTEURS

Puissance (HP)	1/50	1/20	1/8	1/4	1/3	1/2	3/4	1.0	1.5	2.0
Ampérage c.a. typ. (120 V c.a.)	0.50	1.00	2.00	3.50	4.40	6.50	9.30	13.20	-----	-----
Ampérage induit typ. (120 V c.a.)	0.42	0.81	1.60	2.70	3.40	5.00	8.20	10.90	-----	-----
Ampérage c.a. typ. (240 V c.a.)	-----	0.80	1.20	1.80	2.20	3.30	4.80	6.50	9.70	12.90
Ampérage induit typ. (240 V c.a.)	-----	0.40	0.60	1.40	1.70	2.50	3.70	5.00	8.20	11.60

- Notes -

- Notes -

MORE DC MOTOR SPEED CONTROL PRODUCTS FOR YOUR EVERYDAY NEEDS



Stock # 5JJ58
1/40 - 2/3 Hp
NEMA 4 Enclosed



Stock # 2M510
1/50 Hp - 1.0 Hp
Open Chassis SCR



Stock # 6Z385A
1/50 Hp - 2.0 Hp
Open Chassis SCR



Stock # 6Z388B
1/4 - 2 Hp
NEMA 4/4X
Extra Features



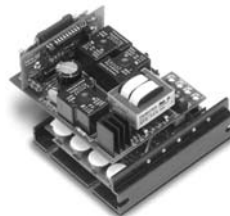
Stock # 6Z386A
1/50 - 2 Hp
NEMA 4/4X
Extra Features



Stock # 1XC92A
Field Programmable
Closed-loop DC
Speed Control



Stock # 5JJ62
Variable AC Voltage
control



Stock # 5HA33
1/15 - 1.0 Hp
Reversing Control



Stock # 6Z392
Shaft-mounted Hall-
Effect pulse generator



Stock # 3VU55, 5JJ52, 6YC44
DC Input - Variable DC Output
10, 20, and 60 Amp Models



Stock # 3VU57
Field Programmable
Digital Tachometer
and Rate Meter

These and other controls available at W.W. Grainger, Inc.