

SPECIFICATION SHEET

EW SERIES 
MULTIPURPOSE CONTROL
1 OR 2 CHANNELS
7 DAY TIME SWITCH

APPLICATIONS

- Outdoor signs
- Lighting security
- Heating and air conditioning

FEATURES

SCHEDULING:

20 ON & OFF set points for individual programs for each day of the week. Minimum setting is 1 minute.

DAYLIGHT SAVING:

Automatic (can be omitted).

LEAP YEAR:

Automatic Compensation.

MANUAL OVERRIDE:

Until the next regularly scheduled ON or OFF, automatic operation then resumes.

CLOCK FORMAT:

AM/PM.

POWER OUTAGE BACKUP:

Permanent schedule retention. Supercapacitor provides 4 days of real time backup.

MOMENTARY OPTION:

For mechanically held contractors: Model EW201B only. Configure with simple jumper change for single-channel momentary operation.

SPECIFICATIONS

TIMING ACCURACY:

Line Frequency.

INPUT VOLTAGE:

120 - 277VAC, 50/60Hz (automatic detection).

TERMINAL RANGE:

#8 - #16AWG.

OPERATING TEMPERATURE:

-40 °F to 149 °F (-40 °C to 65 °C).

POWER CONSUMPTION:

6VA Max.

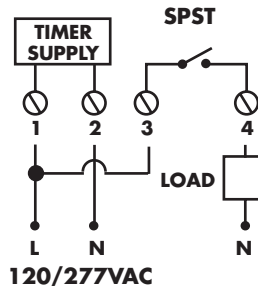
ENCLOSURE:

Polycarbonate Indoor/Outdoor NEMA 3R. Suffix -C plastic clear cover Indoor/Outdoor NEMA 3R. Suffix -Y metal Indoor enclosure NEMA 1. All with lockable hasp (see page 557 for enclosure dimensions).

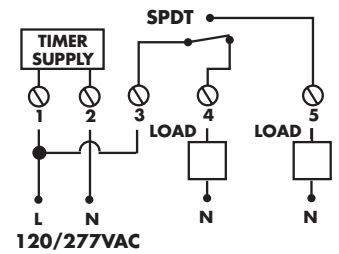


WIRING DIAGRAMS

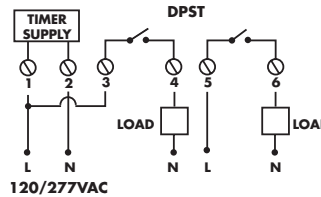
EW101B



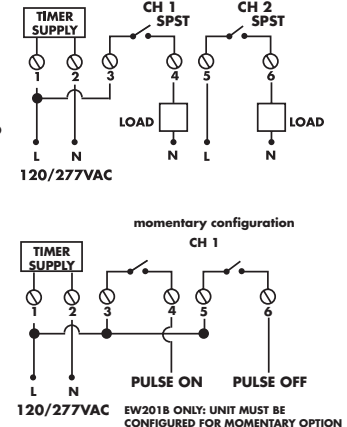
EW120B



EW103B



EW201B



ORDERING INFO

CAT. NO.	UPC CODE	INPUT SUPPLY (VAC) 50/60Hz	NO. OF CHANNELS	OUTPUT DRY CONTACTS
EW101B	82431	120-277	1	SPST
EW103B	82441	120-277	1	DPST
EW120B	82436	120-277	1	SPDT
EW201B	82467	120-277	2	SPST
EW101B-Y	82249	120-277	1	SPST
EW103B-C	82253	120-277	1	DPST
EW103B-Y	82255	120-277	1	DPST
EW120B-C	82437	120-277	1	SPDT
EW120B-Y	82261	120-277	1	SPDT
EW201B-Y	82299	120-277	2	SPST

CONTACT RATINGS

TYPE	EW101B, EW103B, EW201B		EW120B	
	VOLTAGE (VAC)	RATING NO	VOLTAGE (VAC)	RATING NO NC
General Purpose	120-277	40A	120-277	30A 30A
Inductive	120-277	40A	120-277	30A 30A
Ballast	120	30A	120	30A 10A
	208-277	20A	208-277	20A 10A
Tungsten	120	15A	120	15A 2A
Pilot Duty	120-277	720VA	120-277	720VA 720VA
	120	1HP	120	1HP 1HP
	208	1 1/2HP	208	1 1/2HP 1 1/2HP
Resistive	240-277	2HP	240-277	2HP 2HP
	28VDC	30A	28VDC	30A 30A

30A