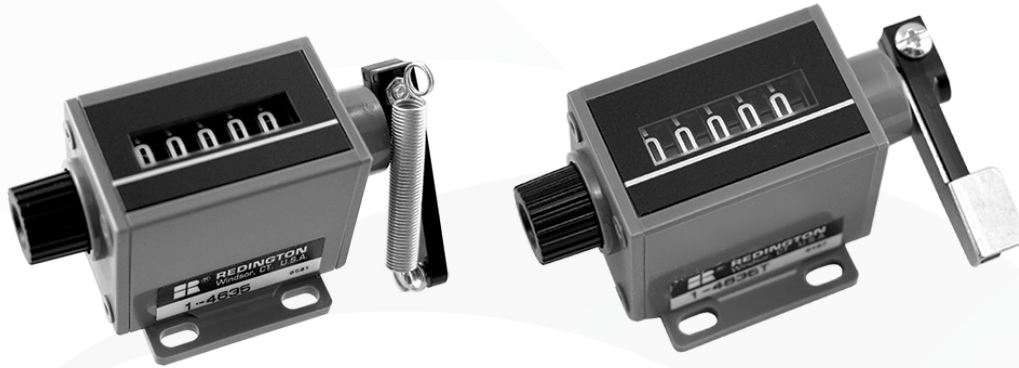


46 Series

Mechanical Stroke Counter



These 5 figure stroke counters are especially designed for limited space and high count life applications. The advanced drive system translates into exceptionally high operating speeds, extended operating life, for fast and accurate readings. Ideal for copiers, printing presses, cut-off machines, and piece-part counting applications. Also available with a thumb lever for use as a tally counter

Key Features

- Compact size
- Reliability
- Low cost
- Optional special levers
 - Special Metal Lever
 - Lever and spring
- Optional non-reset – consult factory

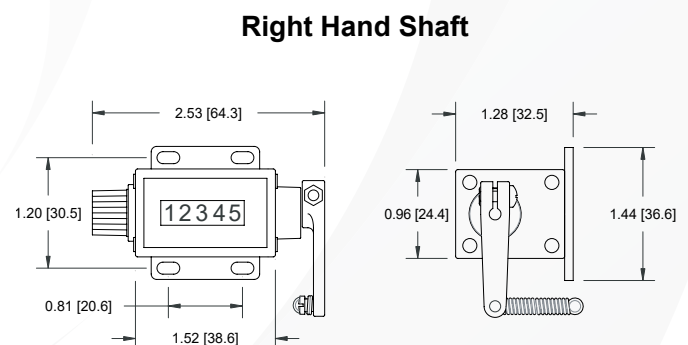
Applications

- Copiers
- Printing press
- Farm equipment
- Piece-part counting
- Shearing/cut-off machines

Specification

| | |
|------------------------|---------------------------------------------|
| Figures | 5 figures, white on black, 0.19" [5mm] high |
| Reset | Standard knob |
| Speed | 1,000 counts/minute |
| Rotation | Top-coming or top-going |
| Count Stroke | 40° Min. - 45° Max. |
| Shaft Extension | Right-hand or left-hand |
| Shaft Diameter | 0.156" [4.0mm] |
| Operating Life | Beyond 5 million counts |
| Temp. Range | -15°F to +140°F [-25°C to +60°C] |
| Weight | 2 oz. [57g] |

Dimensions



Mounting holes: 0.13" x 0.24" [3.3 x 6.1mm] slots

Mechanical Rotation

Totalizing counters are used to sum the total number of cycles or inputs to a device. These counters have no “outputs”. Totalizers can be Mechanical, Electromechanical or Electronic.

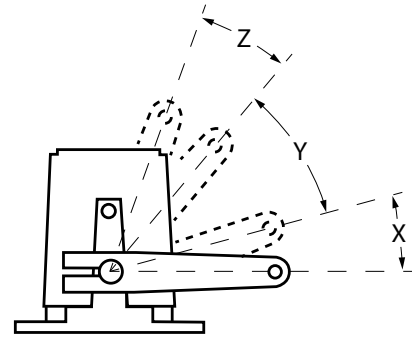
Totalizers are typically used to total cycle count, piece count, and linear length or to indicate position. Displays for Mechanical & Electromechanical Totalizers are molded figure wheels usually displaying 0-9 digits on a contrasting background and have a count capacity of 3-8 figures.

Mechanical Totalizers

The input for Mechanical Totalizers can be Rotary, Stroke or Rotary Ratchet. Mechanical Totalizers require no operating power or sensor and are easy to install. For hand operated applications you need to consider our Model 46 with thumb lever option.

Basic operation of a mechanical stroke counter

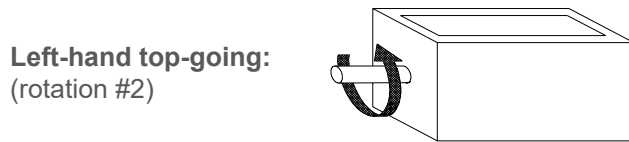
The illustration (right) shows the lever in the rest position with a total shaft rotation of X+Y+Z. Although these angles may differ from model to model, the total shaft rotation contains a pre-travel (X), a count stroke (Y), and an over-travel (Z). The lever must start in the pre-travel area and continue through to the over-travel area to register a count. It is recommended that the spring furnished with the counter be used to simplify adjustment of count stroke to drive mechanism.



Note: This illustrates rotations 2 and 3 only.

SHAFT ROTATIONS:

Arrows indicate shaft rotation to increase count:



Part Numbers:

- 1-4615** Left-hand, top-coming, standard reset knob
- 1-4625** Left-hand, top-going, standard reset knob
- 1-4635** Right-hand, top-coming, standard reset knob
- 1-4645** Right-hand, top-going, standard reset knob

- 1-4635T**
- 10007-001**
- 10007-009S**

- Right-hand, top-coming, std. reset knob, with thumb lever**
- Special Metal Lever**
- Spring and Lever Kit**