



Sensors > Position Sensors > Angular Position Sensors - RVDT/RVIT

Angular Position Sensor - RVDT/RVIT Type: **RVDT**Angular Sensing Range: **±30°**Angular Position Sensor - RVDT/RVIT Supply Voltage: **13.5 – 16.5 VDC**Input Current (Max): **25 mA**Non-Linearity: **±.25 %**

Features

Product Type Features

Angular Position Sensor - RVDT/RVIT Type	RVDT
--	------

Configuration Features

Electrical Connection	Lead Wires
-----------------------	------------

Electrical Characteristics

Angular Position Sensor - RVDT/RVIT Supply Voltage	13.5 – 16.5 VDC
--	-----------------

Input Current (Max)	25 mA
---------------------	-------

Angular Position Sensor - RVDT/RVIT Output Type	±3.75 – ±7.5 VDC
---	------------------

Body Features

Angular Sensing Range	±30°
-----------------------	------

Angular Position Sensor - RVDT/RVIT Weight	54 g
--	------

Case Material	Anodized Aluminum
---------------	-------------------

Mechanical Attachment

Angular Position Sensor - RVDT/RVIT Mounting	Size 11 Servo Mount
--	---------------------

Dimensions

Shaft Diameter	4.763 mm[.1875 in]
----------------	--------------------

Case Diameter	26.92 mm[1.06 in]
---------------	-------------------

Usage Conditions

Operating Temperature Range	-18 – 70 °C[0 – 158 °F]
-----------------------------	-------------------------

Industry Standards

Certifications	RoHS
----------------	------

Other

Non-Linearity	±.25 %
Bearing Type	ABEC 3 Precision Ball Bearing

Product Compliance

[For compliance documentation, visit the product page on TE.com>](#)

EU RoHS Directive 2011/65/EU	Not Yet Reviewed
EU ELV Directive 2000/53/EC	Not Yet Reviewed
China RoHS 2 Directive MIIT Order No 32, 2016	Not reviewed for China RoHS compliance
EU REACH Regulation (EC) No. 1907/2006	Current ECHA Candidate List: JUN 2020 (209) Not Yet Reviewed
Halogen Content	Not Yet Reviewed for halogen content
Solder Process Capability	Not reviewed for solder process capability

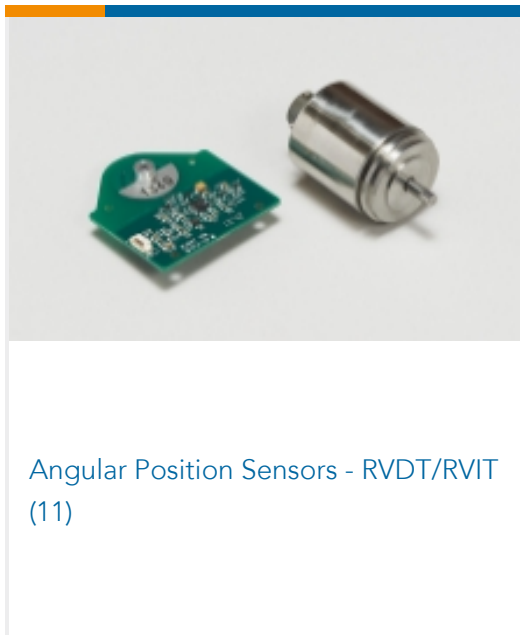
Product Compliance Disclaimer

This information is provided based on reasonable inquiry of our suppliers and represents our current actual knowledge based on the information they provided. This information is subject to change. The part numbers that TE has identified as EU RoHS compliant have a maximum concentration of 0.1% by weight in homogenous materials for lead, hexavalent chromium, mercury, PBB, PBDE, DBP, BBP, DEHP, DIBP, and 0.01% for cadmium, or qualify for an exemption to these limits as defined in the Annexes of Directive 2011/65/EU (RoHS2). Finished electrical and electronic equipment products will be CE marked as required by Directive 2011/65/EU. Components may not be CE marked. Additionally, the part numbers that TE has identified as EU ELV compliant have a maximum concentration of 0.1% by weight in homogenous materials for lead, hexavalent chromium, and mercury, and 0.01% for cadmium, or qualify for an exemption to these limits as defined in the Annexes of Directive 2000/53/EC (ELV). Regarding the REACH Regulations, TE's information on SVHC in articles for this part number is still based on the European Chemical Agency (ECHA) 'Guidance on requirements for substances in articles' (Version: 2, April 2011), applying the 0.1% weight on weight concentration threshold at the finished product level. TE is aware of the European Court of Justice ruling of September 10th, 2015 also known as O5A (Once An Article Always An Article) stating that, in case of 'complex object', the threshold for a SVHC must be applied to both the product as a whole and simultaneously to each of the articles forming part of its composition. TE has evaluated this ruling based on the new ECHA "Guidance on requirements for substances in articles" (June 2017, version 4.0) and will be updating its statements accordingly.

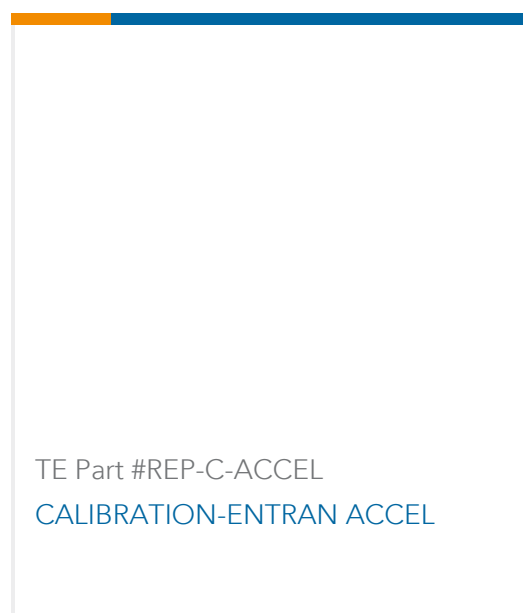
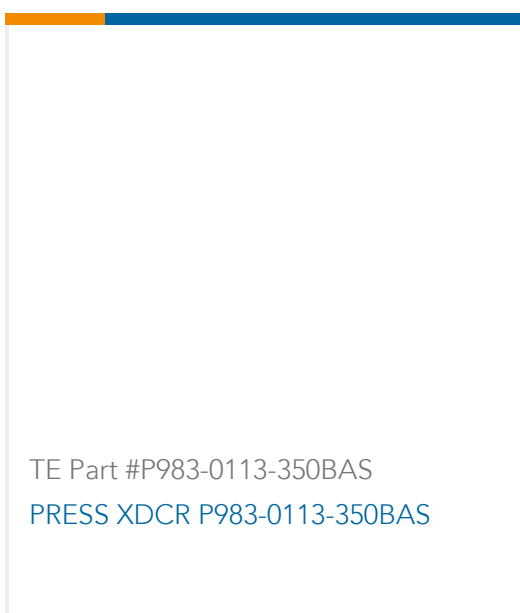
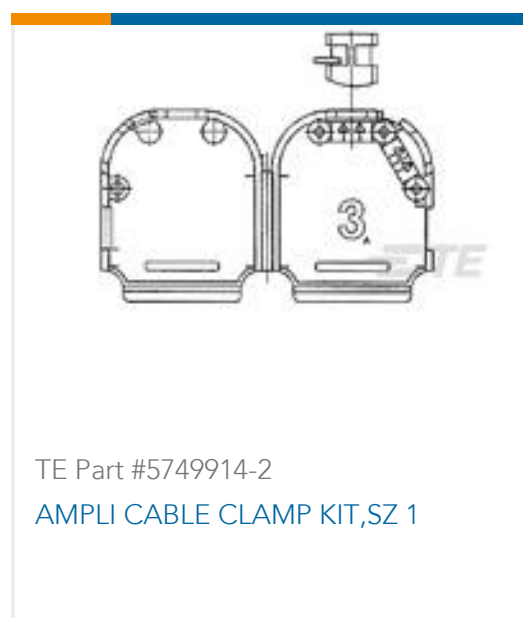
Compatible Parts



Also in the Series | MEAS R30



Customers Also Bought





Documents

[Datasheets & Catalog Pages](#)

[DC Operated, Light Weight RVDT](#)

English