

LINEAR ACTUATORS

LS Series



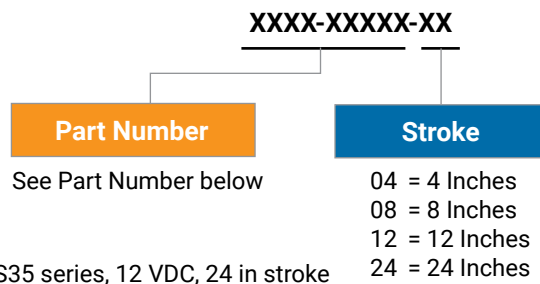
CAPACITY:	450 - 675 lbs (2000 - 3000 N)
SPEED:	0.15 - 0.26 in/s (3.8 - 6.6 mm/s)
VOLTAGE:	12 VDC or 115 VAC
TEMPERATURE RANGE:	32°F - 110°F (0°C - 43°C)
ENVIRONMENTAL RATING:	IP66 protection

Note: Low temperature grease available please consult the factory

FEATURES & BENEFITS

- Operate at the full rated capacity in both push and pull applications
- Adjustable limit Switch for safe and repeatable positioning
- Corrosion resistant housing
- Self locking ACME screw to prevent back driving
- Custom solutions available with our experienced Application Engineering team

CATALOG NUMBER CONFIGURATION KEY



Example:

LS35-3B4TN-24 = LS35 series, 12 VDC, 24 in stroke

PART NUMBERS and PRODUCT SPECIFICATIONS

Part Number	Voltage	Dynamic Rated Load	Min Stroke Length	Max Stroke Length	Speed at Rated Load	Current Draw at Rated Load	Temperature Range	Restraining Torque	Duty Cycle at Rated Load	Screw	Capacitor
#	V	lbs	in	in	in/s	A	°F	in-lbs	%	Type	
LS35-3B4TN	12 VDC	675	12	24	0.21	10	32 to 110	—	17	ACME	—
LS25-1B5TN	115 VAC	450	4	12	0.26	1.4	32 to 110	—	17%	ACME	Included
LS26-1B5TN	115 VAC	560	4	12	0.21	1.4	32 to 110	—	17%	ACME	Included
LS48-S001	115 VAC	660	24	24	0.15	1.4	32 to 110	—	17%	ACME	Included
LS28-1B5TN	115 VAC	675	4	12	0.15	1.4	32 to 110	—	17%	ACME	Included
LS35-1B4TN	115 VAC	675	12	24	0.26	1.6	32 to 110	—	17%	ACME	Included



LS 25, 26 & 28



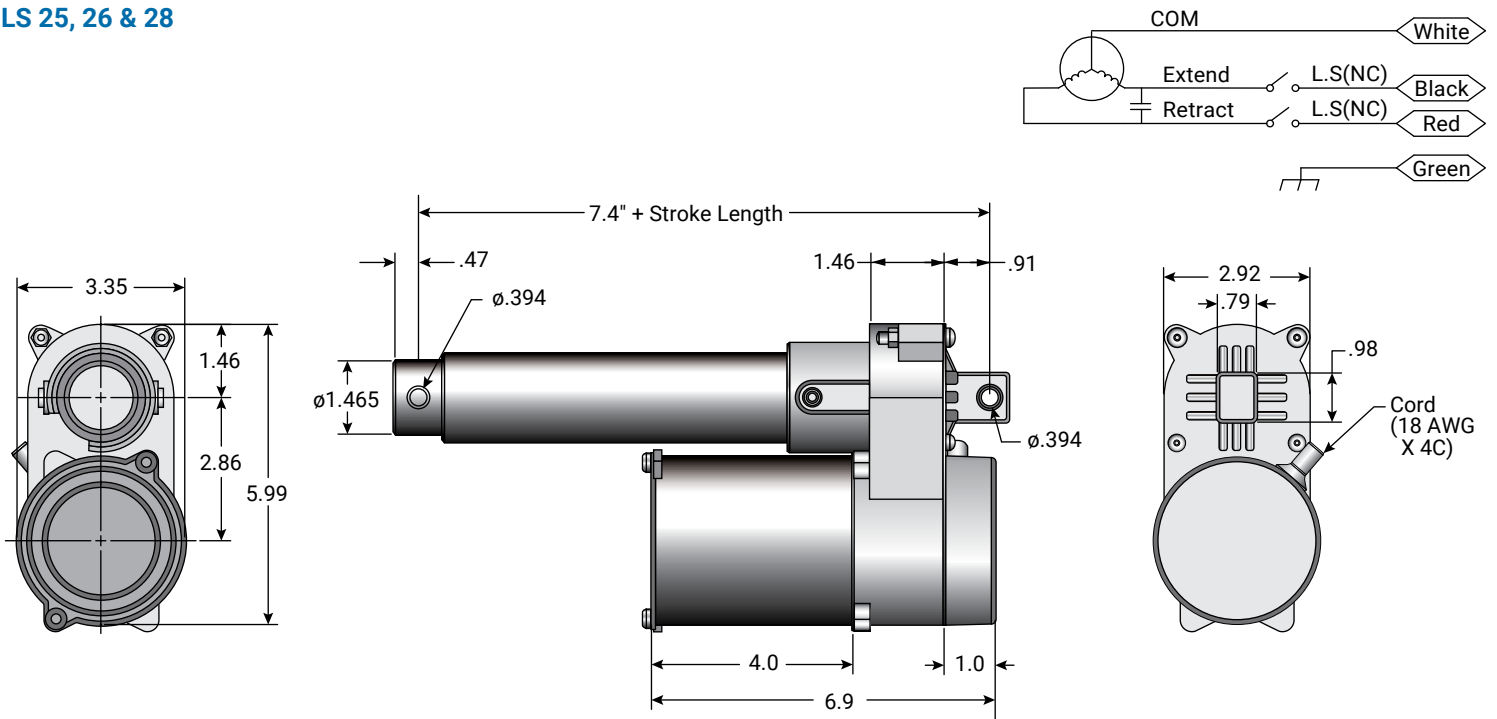
LS 35



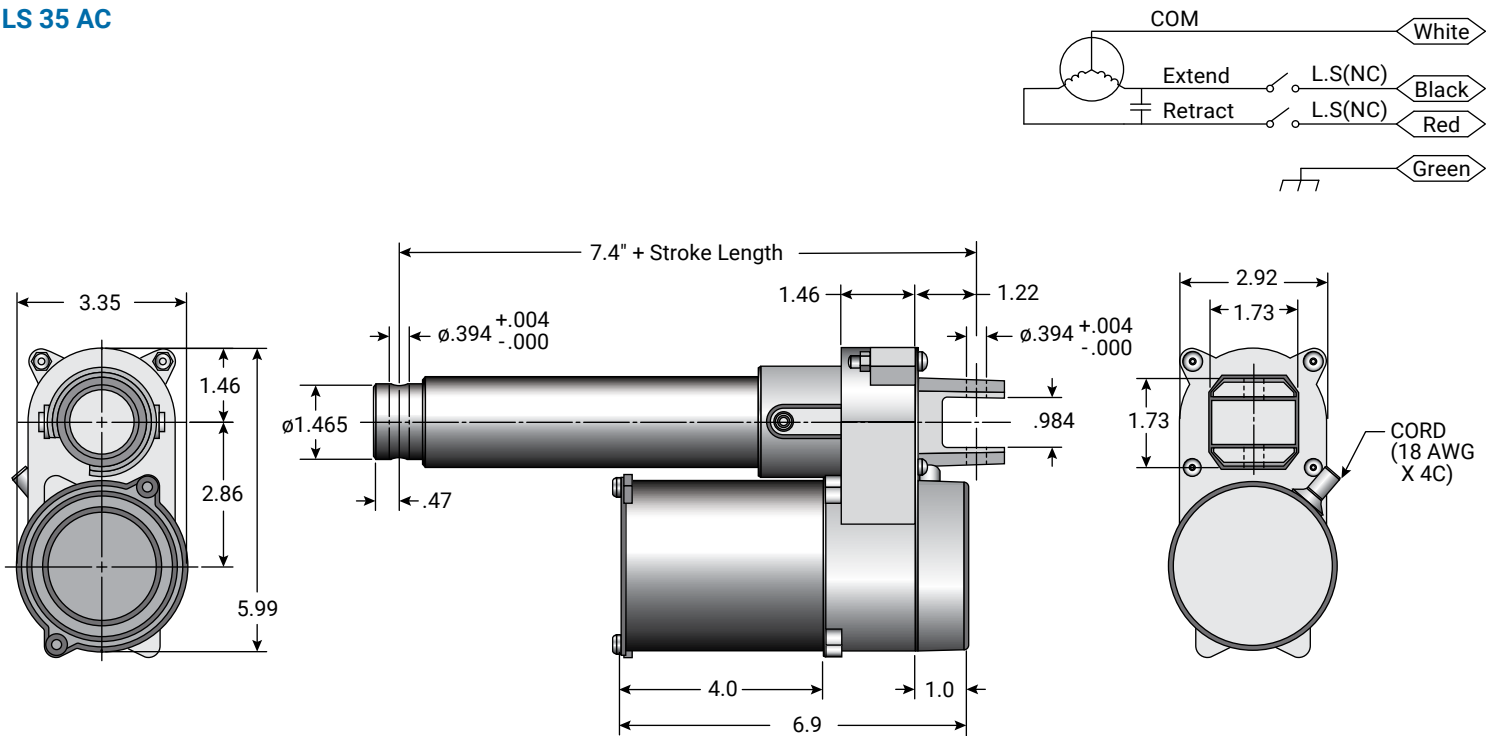
LS 48

DIMENSIONAL DRAWINGS and WIRING DIAGRAMS

LS 25, 26 & 28

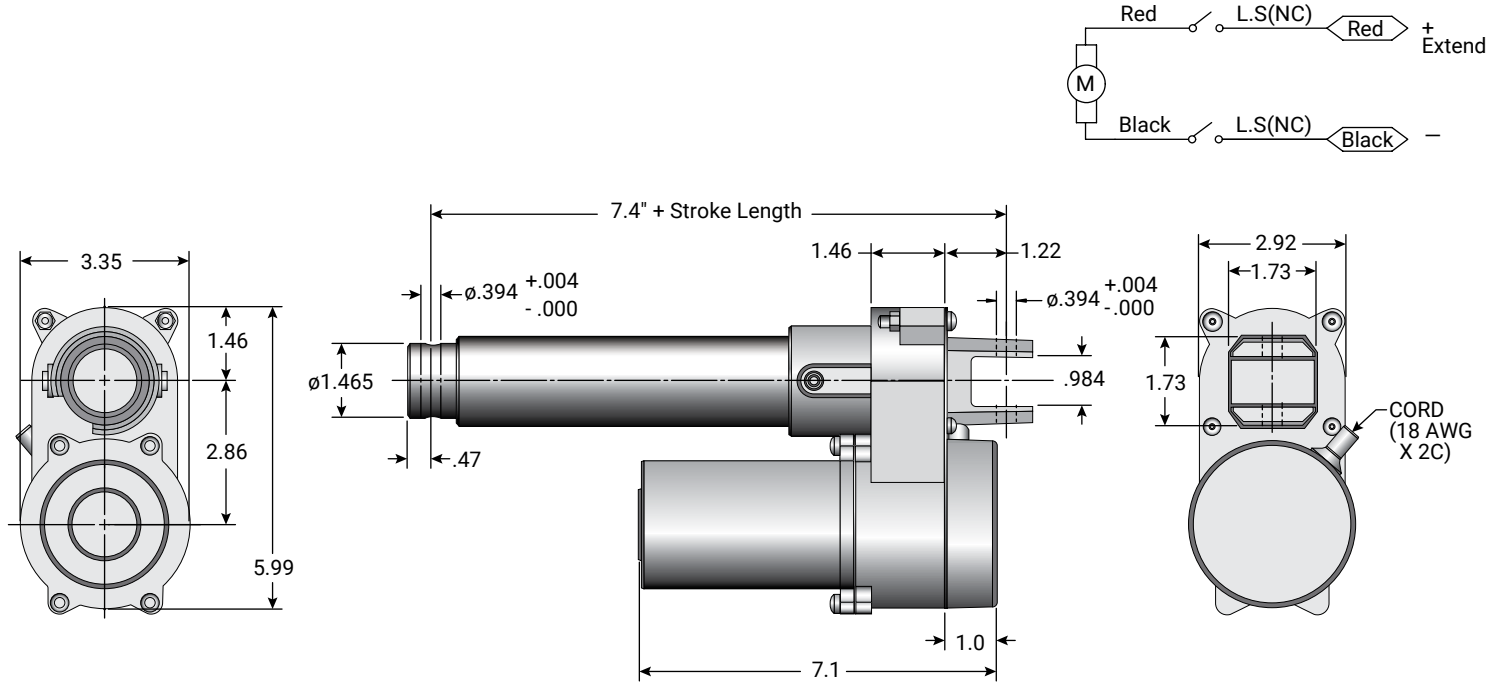


LS 35 AC



DIMENSIONAL DRAWINGS and WIRING DIAGRAMS - Continued

LS 35 DC



LS 48

