

Datasheet

RS PRO Compact Universal, regulated, 480 W

Stock No: 192-7584



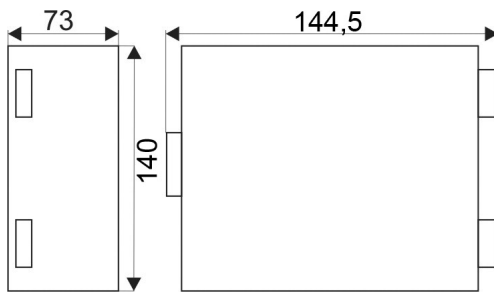
Technical Specifications:

Input	
Number of phases	3
Rated voltage U_N	One-, two- and three-phase AC 200-500 V
Operation voltage range	AC 187–550 V / DC 250–725 V (UL: DC 300–500 V)
Line frequency	47–63 Hz
Rated current I_N	1-/2-phase: 2.9 A @ AC 200 V / 1.3 A @ AC 500 V, 3-phase: 1.8 A @ AC 200 V / 0.8 A @ AC 500 V
Inrush current	$U_i = AC 230 V: <20 A / U_i = AC 400 V: <40 A$
External fuse	Mini-circuit breaker: C 6 A, or D 4 A (required)
Power factor correction P.F.C.	$<0.95 @ AC 230 V, <0.92 @ AC 400 V$

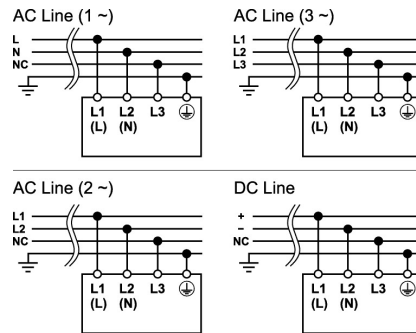
Features & Benefits:

- 1 piece
- Power supply
- Compact Universal, regulated, 480 W
- Primary switched power supplies, PFC, 1/2/3-phase
- Input: wide-range input AC 187–550 V, DC 250–725 V (UL: DC 300–500 V)
- Output: 24 V, adjustable

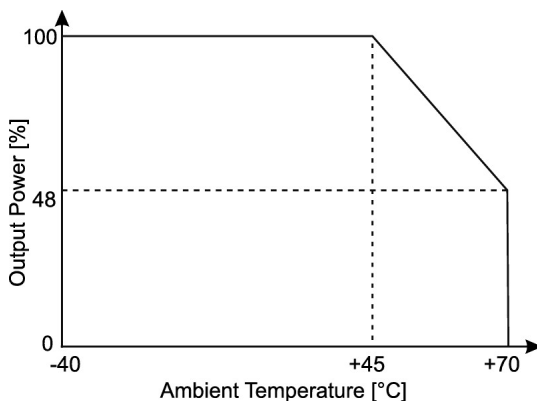
Dimensions



PIN assignment

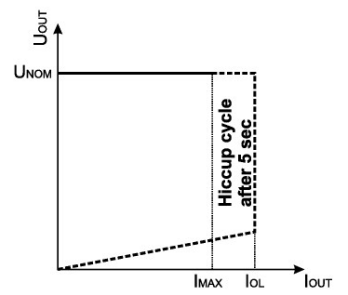


Derating

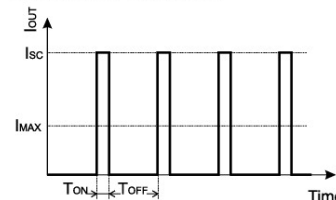


Short circuit characteristics

Hiccup limitation output characteristic



Short circuit conditions



Technical Data

Input	
Number of phases	3
Rated voltage U_N	One-, two- and three-phase AC 200-500 V
Operation voltage range	AC 187–550 V / DC 250–725 V (UL: DC 300–500 V)
Line frequency	47–63 Hz
Rated current I_N	1-/2-phase: 2.9 A @ AC 200 V / 1.3 A @ AC 500 V, 3-phase: 1.8 A @ AC 200 V / 0.8 A @ AC 500 V
Inrush current	$U_i =$ AC 230 V: <20 A / $U_i =$ AC 400 V: <40 A
External fuse	Mini-circuit breaker: C 6 A, or D 4 A (required)
Power factor correction P.F.C.	<0.95 @ AC 230 V, <0.92 @ AC 400 V

Output	
Rated voltage U_N	DC24V
Rated current I_N	20 A
Max. output current	28 A, 5 s
Short-circuit current	50 A
Heat dissipation	<21 W
Setting range $U_{out \text{ min.}}/U_{out \text{ max.}}$	23-27,5 V
Load regulation	<1 %
Ripple and Noise	<100 mV pp
Hold up time	>20 ms
Status indication DC ON LED green	≥ 21.6 V
Status indication DC LOW LED red	$I_{out} > 1.1 I_N$
Parallel / redundant mode	yes/via external decoupling diode
Efficiency	>92 %
Overtemperature protection	yes
Over voltage protection	>DC 33 V ($U_A = 24$ V)
Short circuit	Hiccup Mode

Technical Data

Monitoring	
DC ON Control (Rdy)	N/O contact
Switching voltage	AC/DC 30 V
Switching current	AC/DC 1 A
Switching capacity	30 VA / 30 W
Isolation voltage	AC 500 V

General	
Insulation voltage input / output	DC 4.2 kV
Insulation voltage input / ground	DC 2.2 kV
Insulation voltage output / ground	DC 750 V
Derating	>45 °C: -10 W/°C
Operation temperature range	-40 °C ... +70 °C (UL certified up to +45 °C)
Storage temperature range	-40°C...80°C
Cooling	Air convection, 50 mm distance top/bottom, 20 mm side
Housing material	Aluminum
Mounting	DIN rail mountable TS35 (EN 60715)
Installation position	vertical
Shock resistance	30 g 6 ms, 20 g 11 ms, 3 shocks/direction, 18 shocks in total, IEC60068-2-27: 2008
Vibration resistance	5 – 17.8 Hz: ±1.6 mm, 17.8 – 500 Hz: 2 g 2 hours/axes X,Y,Z, IEC 60068-2-6: 2007
Protection class	IP20 (IEC 529 / EN 60529)
Protection class	I
Over voltage category	III
Degree of pollution	2
Weight	1 kg/piece
Connection type	Screw terminal
	0.20 mm ² – 2.5 mm ²
	AWG 24 – AWG 12
	plug-in

Technical Data

General	
Dimensions (w × h × d)	73×140×150 mm
Certifications	cULus (E249179)
Standards	UL 508C
	IEC 950
	EN 60950
	EN 61000-6-2
	EN 61000-6-4
	EN 55011
	EN 61000-4-2
	EN 61000-4-2/3/4/5/6/11
MTBF	>500000 h: SN29500 / >150000 h: MIL HDBK 217F
PU	1 piece