

Quikclamp

Maximum Pressure:
17 bar (250 psig)

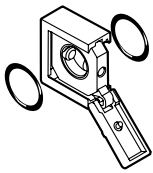
Maximum Temperature:
65°C (150°F)

Use with all Excelon 72 Products to provide modular installation capability. Flanges on the products slide into V grooves in the Quikclamp. Two face-sealing o-rings in the Quikclamp provide a positive seal when the clamp is closed and the captive screw is tightened.

Tighten screw with a 3 mm hex wrench or a T15 Torx wrench.

Quikclamp Service Kit (contains 2 nitrile o-rings): 4384-570

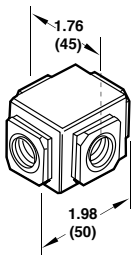
A Quikclamp adds 0.26" (6.5 mm) to the overall length of a combination unit.



Part Number: 4214-51

Manifold Block

Installs with Quikclamps. Ports are threaded 3/8" pipe to provide manifolding capability for up to three components.

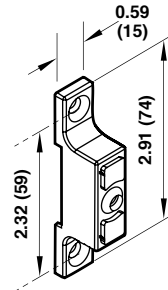


Side Port Threads	Part Number
3/8" PTF	4228-01
3/8" ISO G	4228-03

Quikclamp Wall Mounting Bracket

Use with the Quikclamp to provide secure mounting to a wall, machine panel or other flat surface.

Use 3/16" (5 mm) screws to mount bracket to wall.

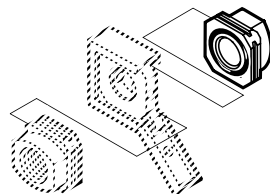


Part Number: 4213-89

Quikmount Pipe Adapters

Use with the Quikclamp to provide threaded connections to the system piping.

A pipe adapter adds 0.63" (16 mm) to the overall length of a combination unit.

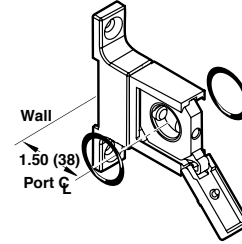


Port Size and Thread	Part Number (Quantity of 1)
1/4" PTF	4215-02
3/8" PTF	4215-03
1/4" ISO G	4215-08
3/8" ISO G	4215-09

Quikclamp and Wall Mounting Bracket

See Quikclamp paragraph for descriptions and dimensions.

Use 3/16" (5 mm) screws to mount bracket to wall.

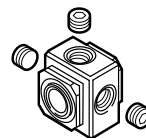


Part Number: 4214-52

Porting Block

Installs between two Quikclamps to provide three additional 1/4" outlets for auxiliary air.

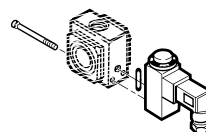
A Porting Block adds 1.13" (28.5 mm) to the overall length of a combination unit.



Auxiliary Port Size & Thread	Part Number
1/4" NPT	4216-50
1/4" ISO G	4216-52

Replacement Pressure Switch

Use only with pressure switch sub-base. Cannot be used with the standard porting block.



Part Number: 4246-01

Sub-base Mounted Pressure Switch

Monitors air pressure and provides an electrical output when the pressure drops below or exceeds an adjustable preset pressure. Installs between two Quikclamps. Also provides two additional 1/4" outlets for auxiliary air.

P₁max: 250 psig (17 bar)

Temperature: 14° to 150°F (-10° to 65°C)

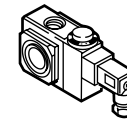
Adjustable: 30 to 150 psig (2 to 10 bar).
Shipped from factory preset at 90 psig (6.3 bar)

Max. Voltage: 240 V a.c./d.c.

Max. Current: 5 Amp

Hysteresis at Midpoint: 12%

A Sub-base Mounted Pressure Switch adds 1.13" (29 mm) to the overall length of a combination unit.



Auxiliary Port Threads	Part Number
1/4" PTF	4246-50
1/4" ISO G	4246-52

Transition Connector

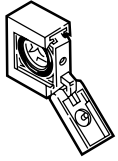
Enables connection of Excelon 72 to 74 units. Typically this will allow F74C/H high grade coalescing filters to be flow matched with R72 regulators.



Part Number: 4417-01

Quikclamp

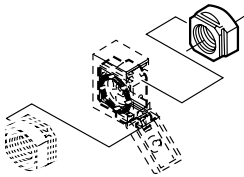
Use with all 73 and 74 Series Products to provide modular installation capability. Flanges on the products slide into V grooves in the Quikclamp. Two face-sealing o-rings in the Quikclamp provide a positive seal when the clamp is closed and the captive screw is tightened. A Quikclamp adds 0.54" (13.6 mm) to the overall length of a combination unit. Tighten screw with a 5/32" (4 mm) hex or T25 Torx wrench. (30 in. lbs. Torque)



Material: Zinc
 Quikclamp part number: 4314-51
 O-ring kit part number: 4384-770

Quikmount Pipe Adapters

Use with the Quikclamp to provide threaded connections to the system piping. Each pipe adapter adds 0.71" (18 mm) to the overall length of a combination unit (each kit contains one adapter).

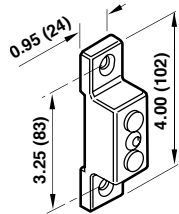


Material: Aluminum

Part number 1)	Port size and (Qty) thread
4315-01	1/4" PTF
4315-02	3/8" PTF
4315-03	1/2" PTF
4315-04	3/4" PTF
4315-09	1/4" ISO G
4315-10	3/8" ISO G
4315-11	1/2" ISO G
4315-12	3/4" ISO G

Quikclamp Wall Mounting Bracket

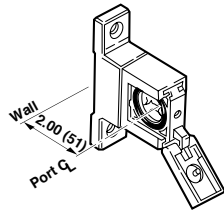
Use with the Quikclamp to provide secure mounting to a wall, machine panel or other flat surface. Use No. 12 (6 mm) screws to mount bracket to wall.



Material: Zinc
 Part number: 4313-50

Quikclamp and Wall Mounting Bracket

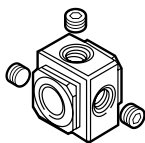
See preceding paragraphs for descriptions and dimensions.



Material: Zinc
 Part number: 4314-52
 L74 1 quart 4314-55

Porting Block

Installs between two Quikclamps to provide three additional 1/4" outlets for auxiliary air. A Porting Block adds 1.30" (33 mm) to the overall length of a combination unit.

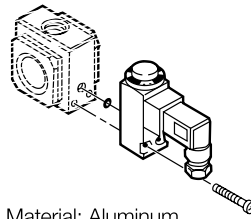


Material: Zinc

Part number	Auxiliary port size and thread
4316-50	1/4" PTF
4316-52	1/4" ISO G

Replacement Pressure Switch

Use only with the pressure switch subbase. Cannot be used with the standard porting block.

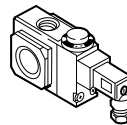


Material: Aluminum
 Pressure switch part number: 4346-01

Subbase Mounted Pressure Switch

Monitors air pressure and provides an electrical output when the pressure drops below or exceeds an adjustable preset pressure. Installs between two Quikclamps. Also provides three additional 1/4" outlets for auxiliary air.

A Subbase Mounted Pressure Switch adds 1.30" (33 mm) to the overall length of a combination unit.

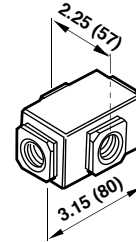


Specifications
 Maximum Pressure: 300 psig (20 bar)
 Maximum Temperature: 175°F (80°C)
 Adjustable Range: 30 to 150 psig (2 to 10 bar)
 Shipped from factory preset at 90 psig (6.2 bar).
 Maximum Voltage: 240V ac/dc
 Maximum Current: 5 Amp
 Hysteresis at Midpoint: 12%
 Materials: Zinc subbase, Aluminum switch

Part number	Auxiliary port thread
4346-50	1/4" PTF
4346-52	1/4" ISO G

Manifold Block

Installs with Quikclamps. Ports are threaded 3/4" pipe to provide manifolding capability for up to three components.



Material: Zinc

Part number	Side port threads
4328-50	3/4" PTF
4328-52	3/4" ISO Rc

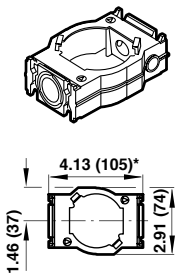
Transition Connector

Enables connection of Excelon 72 to 74 units. A transition connector adds 0.06" (1.5mm) to the overall length of a combination unit.



Material: Aluminum
 Part Number: 4417-01

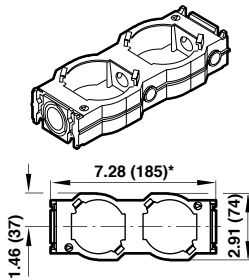
Single Yoke



* 3/4 = 6.18 (157)

1/4	Y64A-2AA-N1N
3/8	Y64A-3AA-N1N
1/2	Y64A-4AA-N1N
3/4	Y64A-6AA-N1N

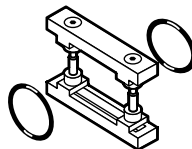
Double Yoke



* 3/4 = 9.33 (237)

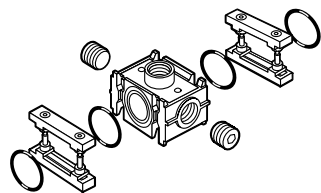
1/4	Y64A-2AA-N2N
3/8	Y64A-3AA-N2N
1/2	Y64A-4AA-N2N
3/4	Y64A-6AA-N2N

Yoke Connector

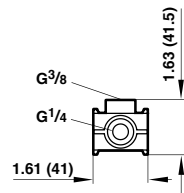


74503-51

Porting Block



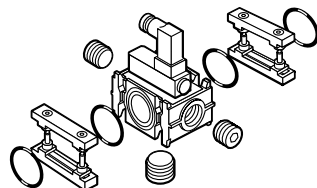
- (2) 1/4 outlets
- (1) 3/8 outlet



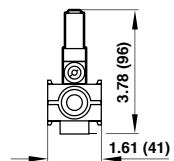
P₁ max. = 250 psi (17 bar)
T max. = 175°F (80°C)

74507-52 PTF
74507-50 ISO G

Adjustable Pressure Switch



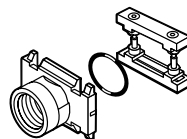
- 30-150 psi (2-10 bar) adjustable
- Porting block mounted
- DIN 43650 form C connector



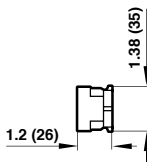
P₁ max. = 250 psi (17 bar)
T max. = 175°F (80°C)
I max. = 5 A
V max. = 240 V
Reset differential = 15 psi (1 bar) nominal

4346-99

End Connector



- For use with end mounted porting block
- 1/2 or 3/4 over porting



1/2	74505-52 PTF
3/4	74505-55 PTF
1/2	74505-50 ISO G
3/4	74505-53 ISO G

Alternative 68 Series Yoke Assembly Models

Y68 ★ - ★ ★ N - ★ ★ ★

Shut-Off Valve and Porting Block	Substitute	Wall Mounting Bracket	Substitute		
No shut-off valve, No porting block	A	Without	N		
With shut-off valve, No porting block	B	With	B		
With shut-off valve, With porting block	E	Yoke	Substitute		
No shut-off valve, With porting block	F			Single	1
				Double	2
		Triple	3		
Port Size	Substitute	Shut-Off Valve Type	Substitute		
3/4"	6			2-port/2-position, Padlocks open or closed, No exhaust, Black handle	A
1"	8			3-port/2-position, Padlocks open or closed, Unthreaded exhaust, Black handle	C
1 1/4"	A			3-port/2-position, Not lockable, Threaded exhaust, Black handle	D
1 1/2"	B	3-port/2-position, Padlocks closed only, Unthreaded exhaust, Yellow handle	E *		
		2-port/2-position, Not lockable, No exhaust, Black handle	G		
Threads	Substitute	No shut-off valve	N		
PTF	A				
ISO Rc taper	B				
ISO G parallel	G				

* Meets OSHA requirements.

Yoke Connecting Kit



Comprising seal, screws and nuts.

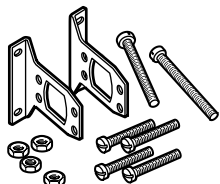
Part Number 18-026-987

Mounting Bracket

Brackets slip over end connectors and are bolted to Yoke Assembly with nuts and screws provided.

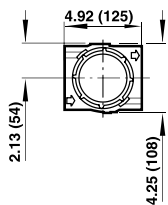
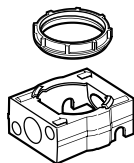
Note: Each kit contains 6 screws (2 x 80 mm and 4 x 35 mm) and 4 nuts.

Part Number



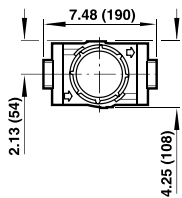
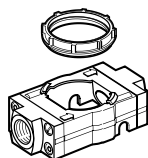
1/2" ported yoke	18-001-979
3/4" ported yoke	18-001-979
1" ported yoke	18-001-979
1-1/4" ported yoke	18-001-978
1-1/2" ported yoke	N/A

Single Yoke



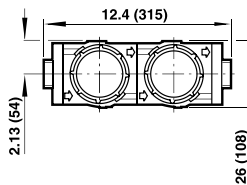
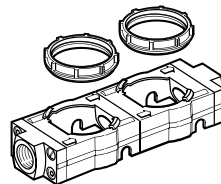
Part Number: 74785-98

Single Yoke Assembly



Port Size	
NPT 1/2	Y68A-4AN-N1N
NPT 3/4	Y68A-6AN-N1N
NPT 1	Y68A-8AN-N1N
NPT 1-1/4	Y68A-AAN-N1N
NPT 1-1/2	Y68A-BAN-N1N

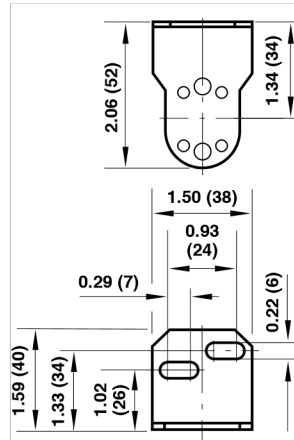
Double Yoke Assembly



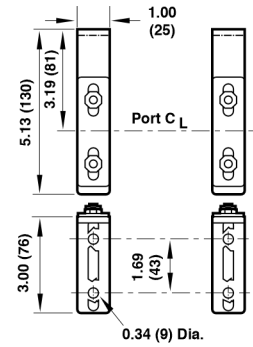
Port Size	
NPT 1/2	Y68A-4AN-N2N
NPT 3/4	Y68A-6AN-N2N
NPT 1	Y68A-8AN-N2N
NPT 1-1/4	Y68A-AAN-N2N
NPT 1-1/2	Y68A-BAN-N2N

Product	Accessory	Part No.
F07	Wall bracket	5939-06
F17	Wall bracket	3/4", 1" Ports: 6212-50 1-1/4", 1-1/2" Ports: 6212-51
F22	Wall bracket	18-001-962
F39	Wall bracket	5939-06
F46	Wall bracket	3/4", 1" Ports: 6212-50 1-1/4", 1-1/2" Ports: 6212-51
F64	Wall bracket	74504-50

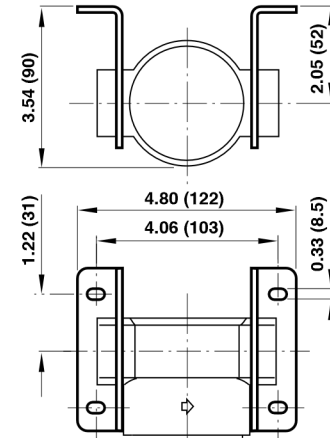
F07, F39 Bracket (5939-06)



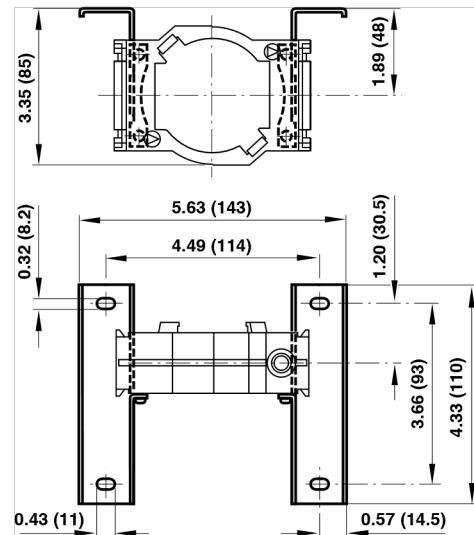
F17, F46 Bracket (6212-50, 6212-51)



F22 Bracket (18-001-962)



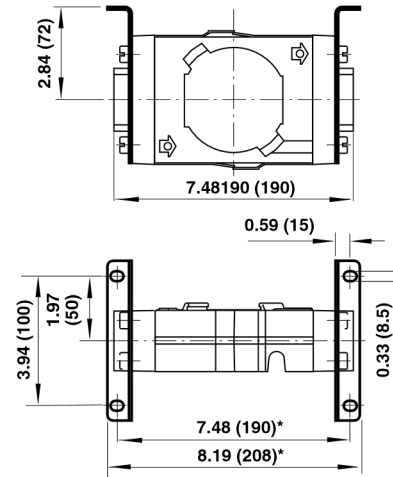
F64 Bracket (74504-50)



Dimensions in inches (mm)

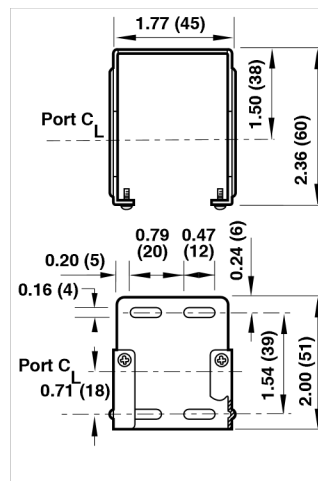
Product	Accessory	Part No.
F68	Wall bracket 1/2", 3/4", 1", 1-1/4" Ports: 18-001-978 1-1/2" Ports: Not Available	
F72	Wall bracket	4224-50
F73	Wall Bracket	4424-50
	Electric service indicator Provides electrical signal when element needs to be replaced. Rated NEMA 4.	4020-51R
	Visual service indicator Turns from green to red when element needs to be replaced.	5797-50
F74	Wall bracket	4324-50
	Electric service indicator Rated NEMA 4 Provides electrical signal when element needs to be replaced.	4020-51R
	Visual service indicator Turns from green to red when element needs to be replaced.	5797-50

F68 Bracket (18-001-978)

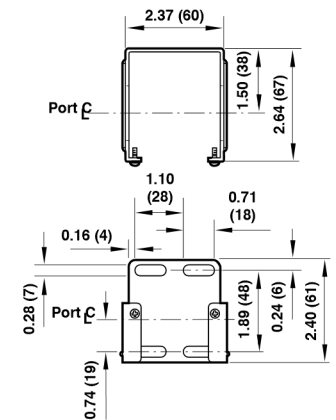


* Add 0.39" (10) for 1-1/4" ported yokes.

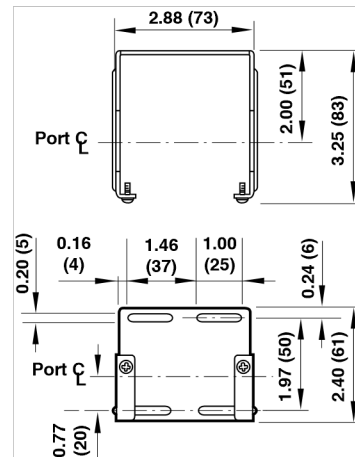
F72 Bracket (4224-50)



F73 Bracket (4424-50)



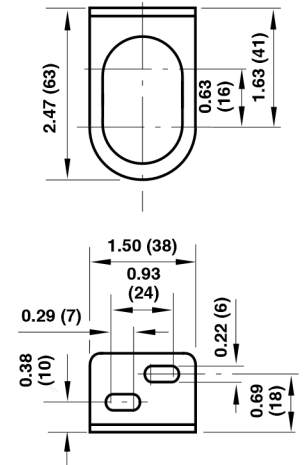
F74 Bracket (4324-50)



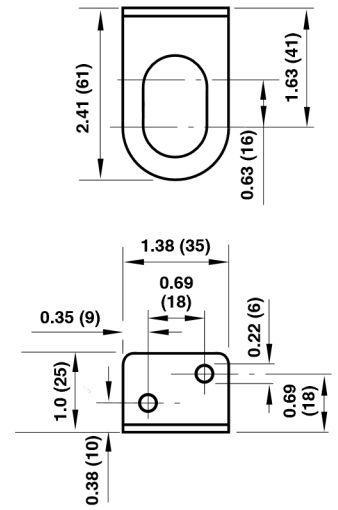
Dimensions in inches (mm)

Product	Accessory	Part No.
R05	Plastic panel nut	2962-89
R06	Wall bracket for R06 with plastic bonnet	Bracket and plastic nut: 18-025-003 Plastic nut: 2962-89 Metal nut: 2962-04
	Wall bracket for R06 with brass bonnet	Bracket and metal nut: 18-001-021 Metal nut: 616-01
	Tamper resistant knob kit	18-001-092
R07	Wall bracket with plastic nut	Bracket and plastic nut: 18-025-003 Plastic nut: 2962-89 Metal nut: 2962-04
	Tamper resistant knob kit	18-001-092
R17	Wall bracket with plastic nut	Bracket and metal nut: 5570-04 Metal nut: 5226-97
	Tamper resistant seal wire	2117-01
R18	Muffler	3/4 PTF: MB006A R 3/4: MB006B

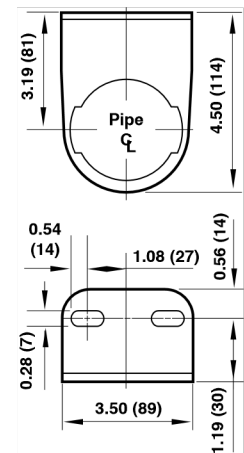
R06, R07 Bracket (18-025-003)





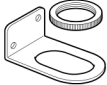

R06 Bracket for Brass Bonnet (18-001-021)



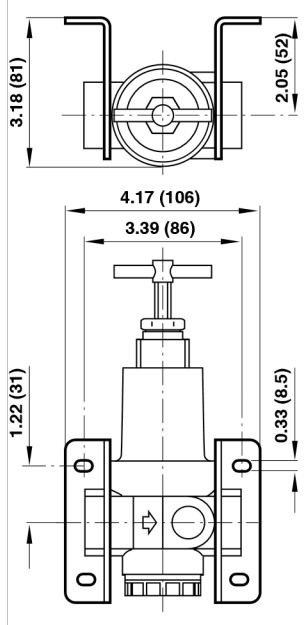
R17 Bracket (5570-04)



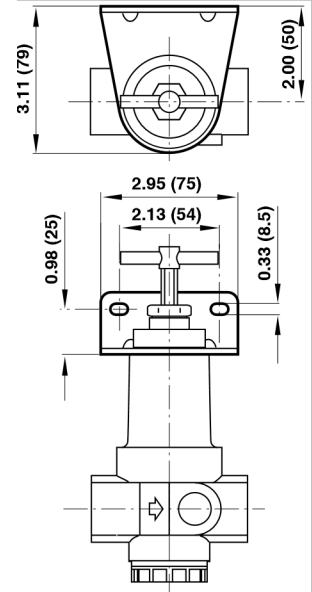
Dimensions in inches (mm)

Product	Accessory	Part No.
R22	Stainless steel wall bracket	18-001-962
		
	Wall bracket (neck mount)	Stainless steel wall bracket and metal nut: 18-001-959 Metal nut: 5988-02
		
R24	Wall bracket with metal nut	Bracket and metal nut: 18-999-412 Bracket: 18-001-996 Plastic nut: 2962-89 Metal nut: 2962-04
		
	Reducing bushing for gauge ports	3/8 to 1/4 PTF: 5950-01 1/2 to 1/4 PTF: 2339-04 R1/4 to G1/8: 150232818 R3/8 to G1/8: 150233818 R1/2 to G1/8: 150234818
		
	Tamper resistant cap	18-021-006

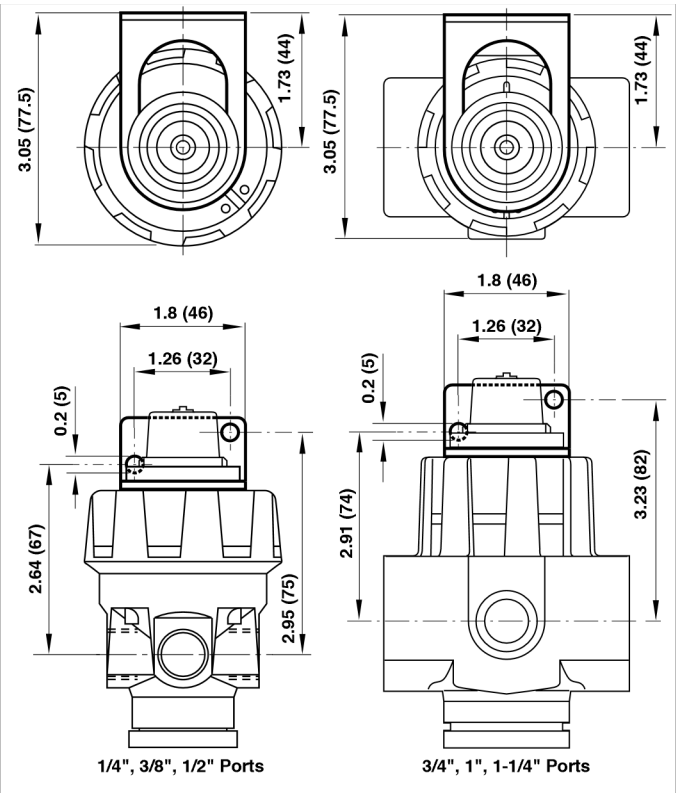
R22 Bracket (18-001-962)



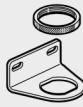
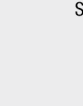

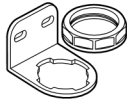

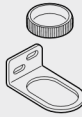


R22 Neck Bracket (18-001-959)



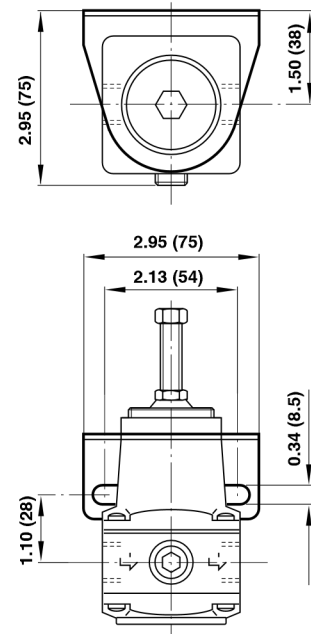
R24 Bracket (18-999-412)



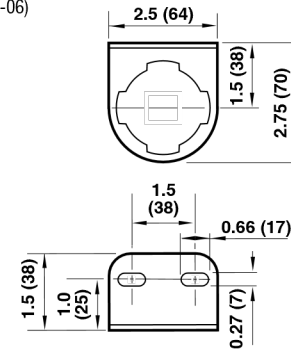
Dimensions in inches (mm)

Product	Accessory	Part No.
R38	 Aluminum wall bracket and nut: 18-001-974 Aluminum nut: 5988-01	
	 Stainless steel wall bracket and nut: 18-001-973 Stainless steel nut: 5988-02	
	 Plastic adjusting knob	74630-04
R40 R41 R43	 Wall bracket with metal nut	Bracket and metal nut: 5203-06 Plastic nut: 5191-89 Metal nut: 5191-88
	 Tamper resistant seal wire	2117-01
R44	 Wall bracket for R44 with plastic bonnet	Bracket and plastic nut: 18-025-003 Plastic nut: 2962-89 Metal nut: 2962-04
	 Wall bracket for R44 with brass bonnet	Bracket and metal nut: 18-001-021 Metal nut: 616-01
	 Tamper resistant knob	18-001-092

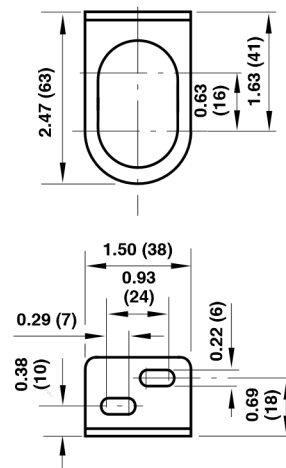
R38 Bracket (18-001-974)



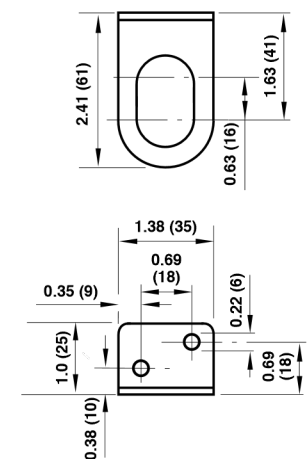
R40, R41, R43 Bracket (5203-06)



R44 Bracket (18-025-003)



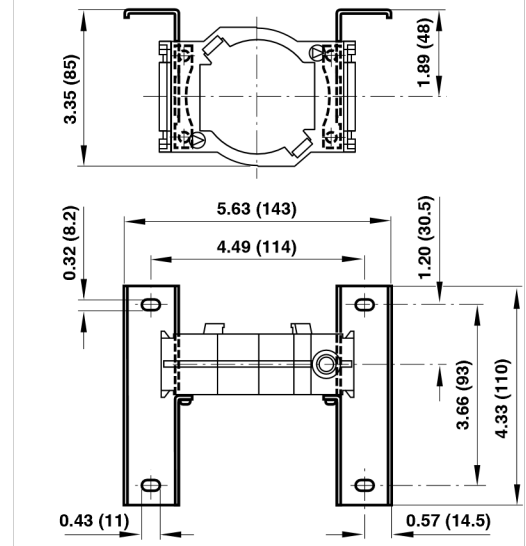
R44 Bracket for Brass Bonnet (18-001-021)



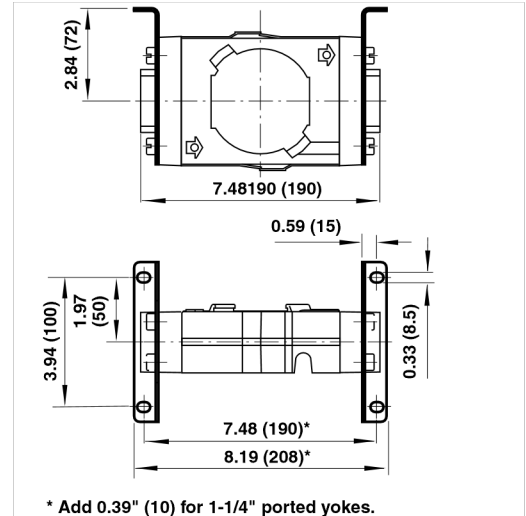
Dimensions in inches (mm)

Product	Accessory	Part No.
R64	Wall bracket	74504-50
	Metal panel nut	4348-89
	Tamper resistant cover and wire. Install over knob to help prevent tampering of pressure setting. Use up to 4 padlocks with 5/16" (8mm) diameter shackle to secure cover. Lockout hasp may also be used.	Cover and wire: 4355-51 Wire: 2117-01
	Lockout hasp. Allows use of up to 6 padlocks with 5/16" (8mm) diameter shackle.	54547-01
R68	Wall bracket	1/2", 3/4", 1", 1-1/4" Ports: 18-001-978 1-1/2" Ports: Not Available
	Tamper resistant cover and wire. Install over knob to help prevent tampering of pressure setting. Use up to 4 padlocks with 5/16" (8mm) diameter shackle to secure cover. Lockout hasp may also be used.	Cover and wire: 4355-51 Wire: 2117-01
	Lockout hasp. Allows use of up to 6 padlocks with 5/16" (8mm) diameter shackle.	54547-01
R72	Wall bracket	4224-50
	Wall bracket/plastic nut	Bracket and plastic nut: 74316-50 Plastic nut: 4248-89 Metal Nut: 4248-01
	Tamper resistant cover and wire. Install over knob to help prevent tampering of pressure setting. Use up to 2 padlocks with 5/16" (8mm) diameter shackle to secure cover. Lockout hasp may also be used.	Cover and wire: 4255-51 Wire: 2117-01
	Lockout hasp. Allows use of up to 6 padlocks with 5/16" (8mm) diameter shackle.	54547-01

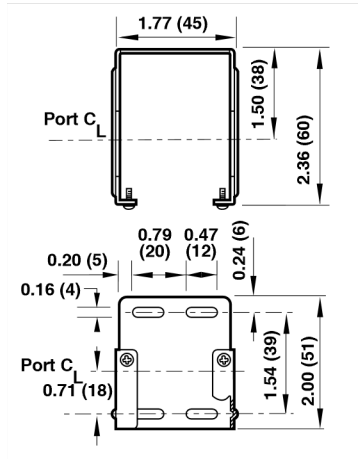
R64 Bracket (74504-50)



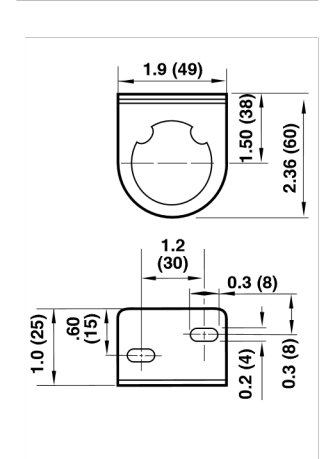
R68 Bracket (18-001-978)



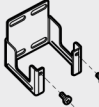


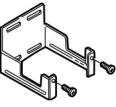
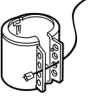

R72 Bracket (4224-50)



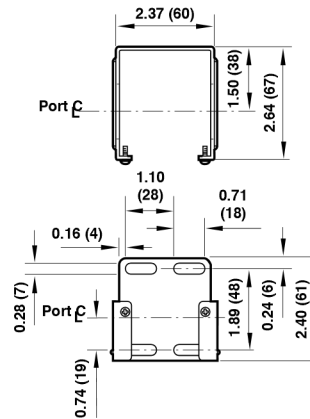
R72 Neck Bracket (74316-02)



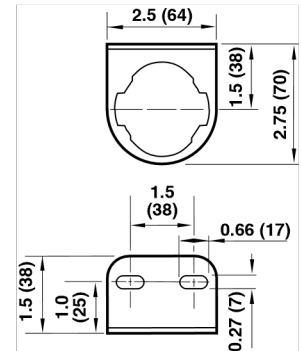
Dimensions in inches (mm)

Product	Accessory	Part No.
R73	Wall bracket	4424-50
	 <p>Wall bracket/metal nut</p> <p>Bracket and metal nut: 4461-50 Metal Nut: 5191-88 Plastic Nut: 5191-89</p>	
	 <p>Tamper resistant cover and wire. Install over knob to help prevent tampering of pressure setting. Use up to 4 padlocks with 5/16" (8mm) diameter shackle to secure cover. Lockout hasp may also be used.</p> <p>Cover and wire: 4455-51 Wire: 2117-01</p>	
	 <p>Lockout hasp. Allows use of up to 6 padlocks with 5/16" (8mm) diameter shackle.</p> <p>54547-01</p>	
R74	Wall bracket	4324-50
	 <p>Wall bracket/metal nut</p> <p>Bracket and metal nut: 4368-51 Metal Nut: 4348-89</p>	
	 <p>Tamper resistant cover and wire. Install over knob to help prevent tampering of pressure setting. Use up to 4 padlocks with 5/16" (8mm) diameter shackle to secure cover. Lockout hasp may also be used.</p> <p>Cover and wire: 4355-51 Wire: 2117-01</p>	
	 <p>Lockout hasp. Allows use of up to 6 padlocks with 5/16" (8mm) diameter shackle.</p> <p>54547-01</p>	

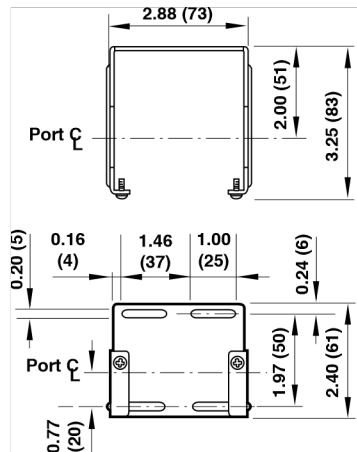
R73 Bracket (4424-50)



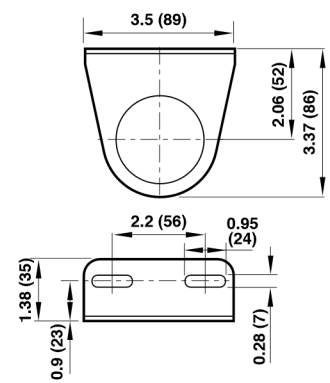
R73 Neck Bracket (4461-50)



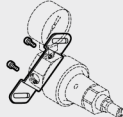




R74 Bracket (4324-50)



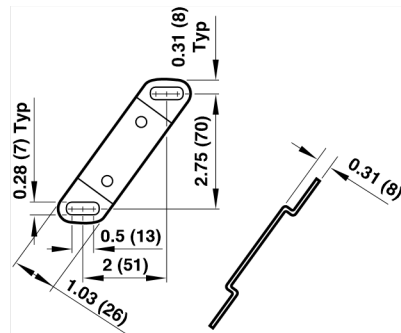
R74 Neck Bracket (4368-51)



Dimensions in inches (mm)

Product	Accessory	Part No.
R81 R82 R83 R84	Wall bracket 	5095-51
	Pipe plug, hex socket 	1/4 PTF: 2891-97
	Nipple 	1/4 PTF male: 18-006-067
	Cylinder connector, nitrogen service, 0.906-14 RH external thread 	CGA No. 580: 18-008-004
	Cylinder connector, carbon dioxide service, 0.830-14 RH internal thread 	CGA No 320: 18-008-002 With 2.25" (57mm) long nipple: 18-008-015 Replacement gasket: 1390-02

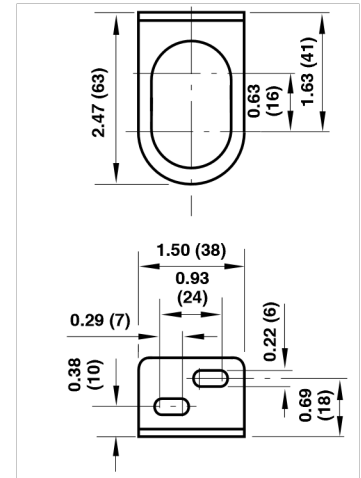
R81, R82, R83, R84 Bracket (5095-51)



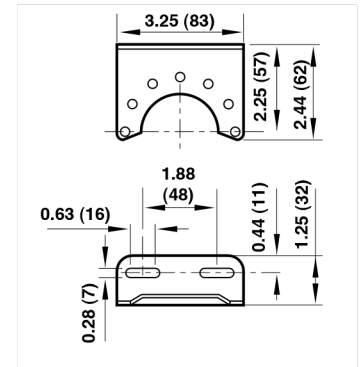
Dimensions in inches (mm)

Product	Accessory	Part No.
R91	Wall bracket with plastic nut	Bracket and plastic nut: 18-025-003 Plastic nut: 2962-89 Metal nut: 2962-04
	Tamper resistant knob	18-001-092
11-002	Wall bracket	18-001-003
	Panel mount kit with T-bar adjustment Bonnet included	18-003-004
	Panel mount kit with hand wheel adjustment Bonnet included	18-003-002
	Panel mount kit with screw adjustment Bonnet included	18-003-006
11-008	Wall bracket	Units with 1/2" ports: 18-001-003 Units with 3/4" and 1" ports: 18-001-027

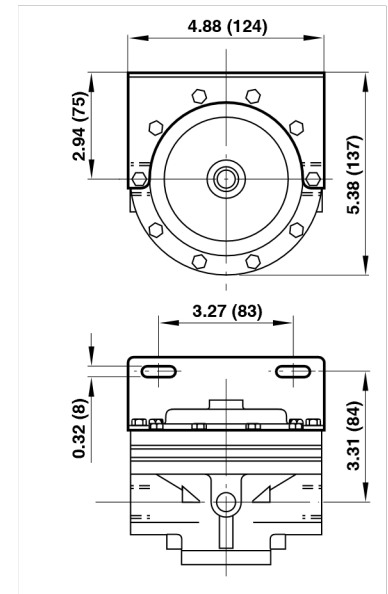
R91 Bracket (18-025-003)



**11-002 Bracket
11-008 Bracket (Units with 1/2" Ports)**
(18-001-003)



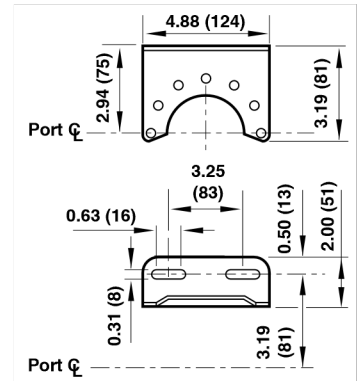
11-008 Bracket (Units with 3/4" and 1" Ports) (18-001-027)



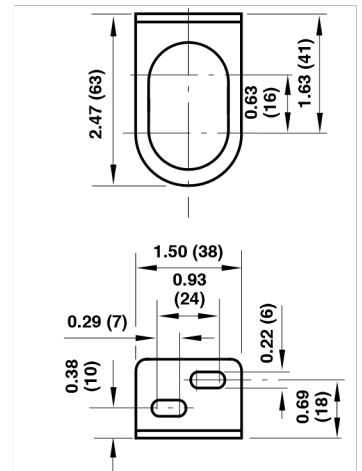
Dimensions in inches (mm)

Product	Accessory	Part No.
11-009	Wall bracket	18-001-029
	Screw adjustment	1095-02
11-018	Tamper resistant cap	639-02
11-042	Muffler	3/4 PTF: MB006A R3/4: MB006B
11-044	Wall bracket with plastic nut	Bracket and plastic nut: 18-025-003 Plastic nut: 2962-89 Metal nut: 2962-04
	Tamper resistant knob	18-001-092
11400-20AL-11-104-	Wall bracket	18-001-003

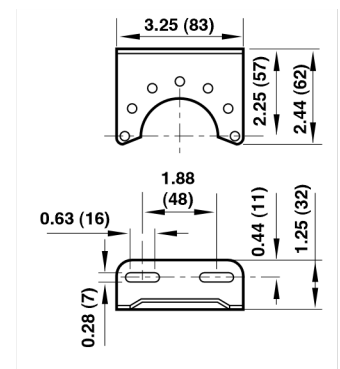
11-009 Bracket (18-001-029)




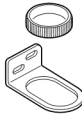



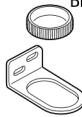

11-044 Bracket (18-025-003)



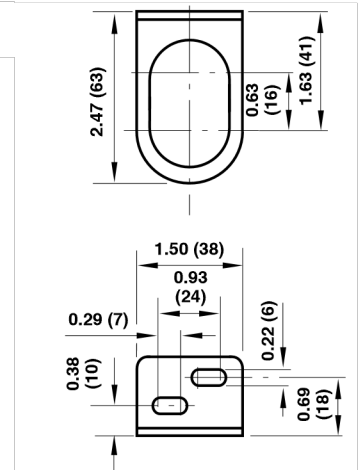
11400- Bracket 20AL Bracket (18-001-003)



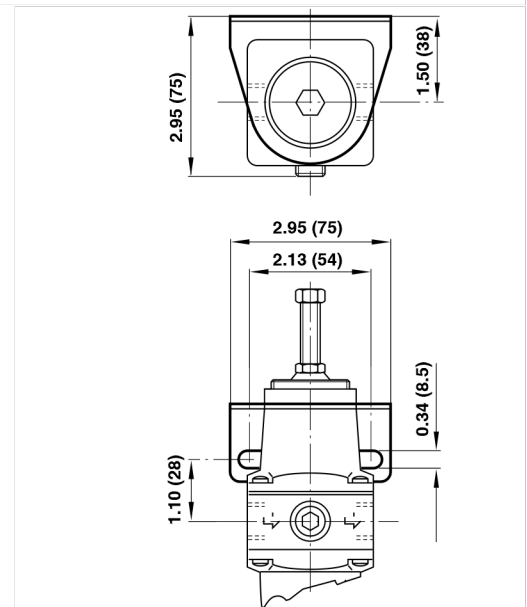
Dimensions in inches (mm)

Product	Accessory	Part No.
B05	Plastic Panel Nut	2962-89
		
B07	Wall bracket with plastic nut	Bracket and plastic nut: 18-025-003 Plastic nut: 2962-89 Metal nut: 2962-04
		
	Tamper resistant knob	18-001-092
		
B38	Aluminum wall bracket and nut:	18-001-974 Aluminum nut: 5988-01
		
	Stainless steel wall bracket and nut:	18-001-973 Stainless steel nut: 5988-02
	Plastic adjusting knob	74630-04
		
B39	Wall bracket with plastic nut	Bracket and plastic nut: 18-025-003 Plastic nut: 2962-89 Metal nut: 2962-04
		
	Tamper resistant knob	18-001-092
		


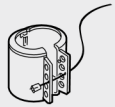

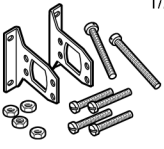
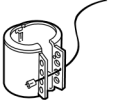

B07, B39 Bracket (18-025-003)



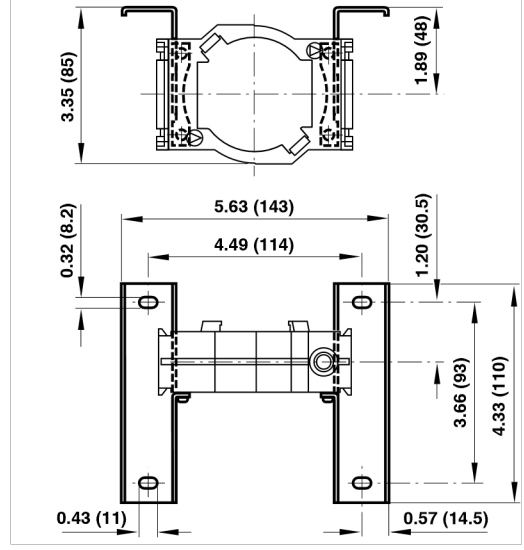
B38 Bracket (18-001-974)



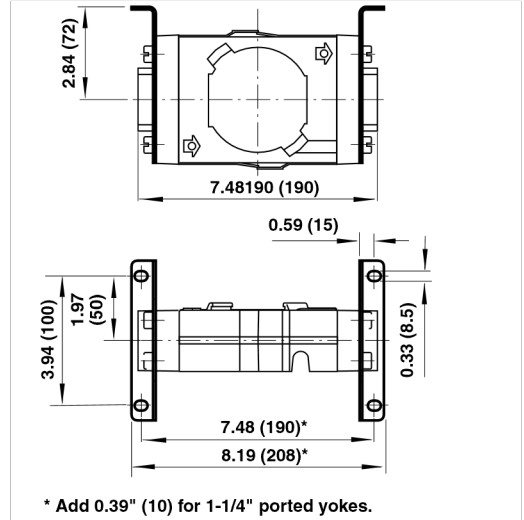
Dimensions in inches (mm)

Product	Accessory	Part No.
B64	Wall bracket	74504-50
	 <p>Tamper resistant cover and wire. Install over knob to help prevent tampering of pressure setting. Use up to 4 padlocks with 5/16" (8mm) diameter shackle to secure cover. Lockout hasp may also be used.</p> <p>Cover and wire: 4355-51 Wire: 2117-01</p> 	
	<p>Lockout hasp. Allows use of up to 6 padlocks with 5/16" (8mm) diameter shackle.</p> 	54547-01
B68	Wall bracket	1/2", 3/4", 1", 1-1/4" Ports: 18-001-978 1-1/2" Ports: Not Available
	 <p>Tamper resistant cover and wire. Install over knob to help prevent tampering of pressure setting. Use up to 4 padlocks with 5/16" (8mm) diameter shackle to secure cover. Lockout hasp may also be used.</p> <p>Cover and wire: 4355-51 Wire: 2117-01</p> 	
	<p>Lockout hasp. Allows use of up to 6 padlocks with 5/16" (8mm) diameter shackle.</p> 	54547-01

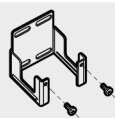
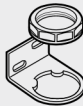

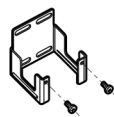
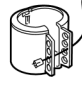

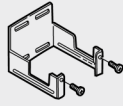


B64 Bracket (74504-50)



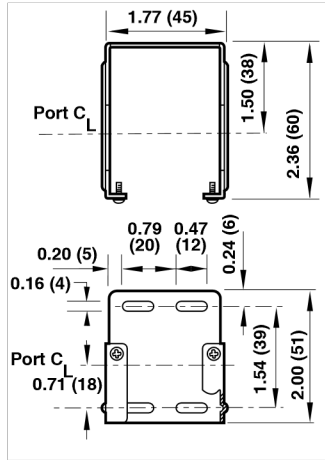
B68 Bracket (18-001-978)



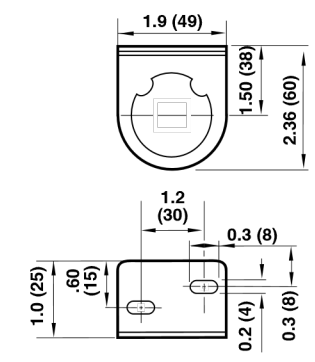
Dimensions in inches (mm)

Product	Accessory	Part No.
B72	Wall bracket	4224-50
	 <p>Wall bracket/plastic nut</p> <p>Bracket and plastic nut: 74316-50 Plastic nut: 4248-89 Metal Nut: 4248-01</p>	
	 <p>Tamper resistant cover and wire. Install over knob to help prevent tampering of pressure setting. Use up to 2 padlocks with 5/16" (8mm) diameter shackle to secure cover. Lockout hasp may also be used.</p> <p>Cover and wire: 4255-51 Wire: 2117-01</p>	
	 <p>Lockout hasp. Allows use of up to 6 padlocks with 5/16" (8mm) diameter shackle.</p> <p>54547-01</p>	
B73	Wall bracket	4424-50
	 <p>Wall bracket/metal nut</p> <p>Bracket and metal nut: 4461-50 Metal Nut: 5191-88 Plastic Nut: 5191-89</p>	
	 <p>Tamper resistant cover and wire. Install over knob to help prevent tampering of pressure setting. Use up to 4 padlocks with 5/16" (8mm) diameter shackle to secure cover. Lockout hasp may also be used.</p> <p>Cover and wire: 4455-51 Wire: 2117-01</p>	
	 <p>Lockout hasp. Allows use of up to 6 padlocks with 5/16" (8mm) diameter shackle.</p> <p>54547-01</p>	
B74	Wall bracket	4324-50
	 <p>Wall bracket/metal nut</p> <p>Bracket and metal nut: 4368-51 Metal Nut: 4348-89</p>	
	 <p>Tamper resistant cover and wire. Install over knob to help prevent tampering of pressure setting. Use up to 4 padlocks with 5/16" (8mm) diameter shackle to secure cover. Lockout hasp may also be used.</p> <p>Cover and wire: 4355-51 Wire: 2117-01</p>	
	 <p>Lockout hasp. Allows use of up to 6 padlocks with 5/16" (8mm) diameter shackle.</p> <p>54547-01</p>	

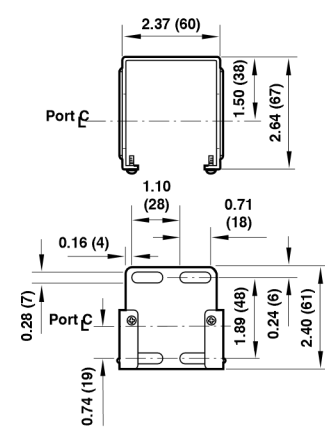
B72 Bracket (4224-50)



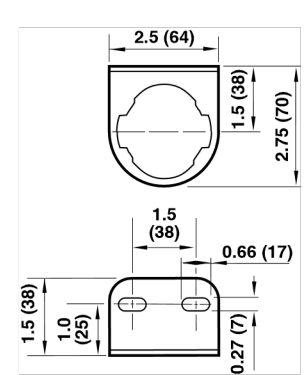
B72 Neck Bracket (74316-02)



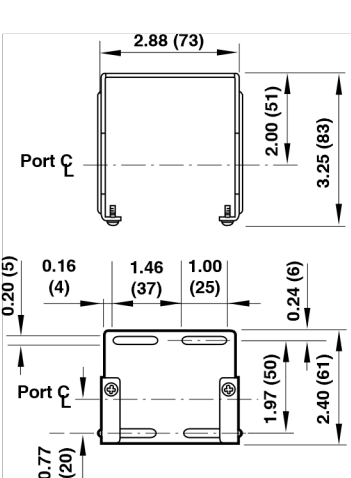
B73 Bracket (4424-50)



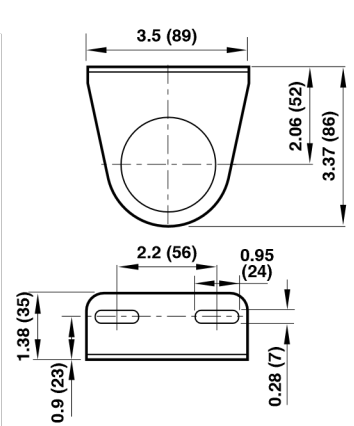
B73 Neck Bracket (4461-50)



B74 Bracket (4324-50)



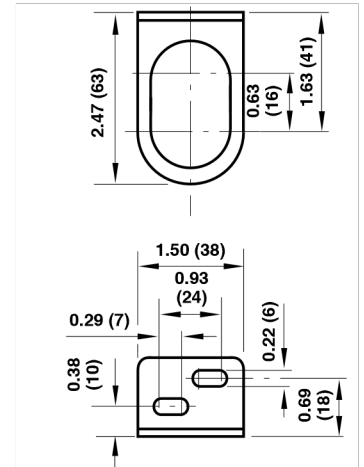
B74 Neck Bracket (4368-51)



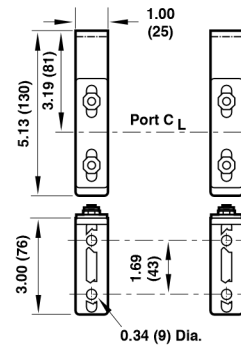
Dimensions in inches (mm)

Product	Accessory	Part No.
L07	Wall bracket with plastic nut	Bracket and plastic nut: 18-025-003 Plastic nut: 2962-89 Metal nut: 2962-04
L17	Wall bracket - use with 1 and 2 quart reservoirs only	3/4", 1" Ports: 6212-50 1-1/4", 1-1/2" Ports: 6212-51
	Pyrex dome and metal fill plug	5605-60
	Quick fill cap. Use with 18-010-003 oil pump, pail, and hose assembly (see catalog sheet NC-26) to refill reservoir without shutting off air supply. Replaces fill plug.	18-011-021
	Fill plug with 1/8 PTF tapped hole. Use with customer supplied pressurized oil source to refill reservoir without shutting off air supply. Replaces standard fill plug.	5301-52
L22	Wall bracket	18-001-962

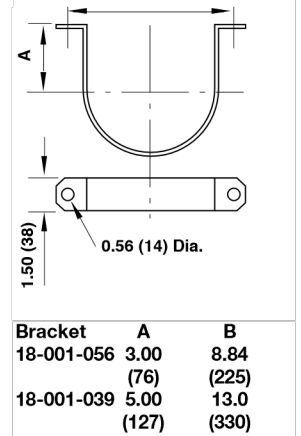
L07 Bracket (18-025-003)



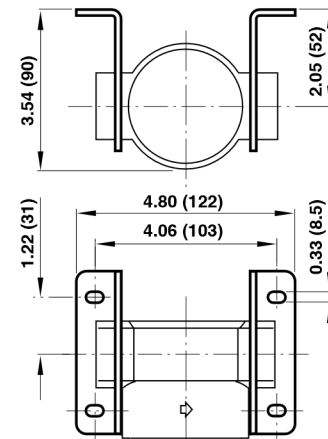
L17 Bracket (6212-50, 6212-51)



L17 Strap (18-001-039/056)



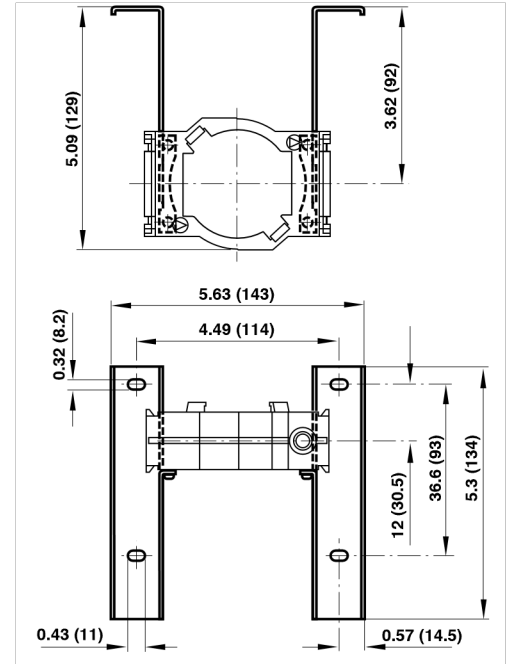
L22 Bracket (18-001-962)



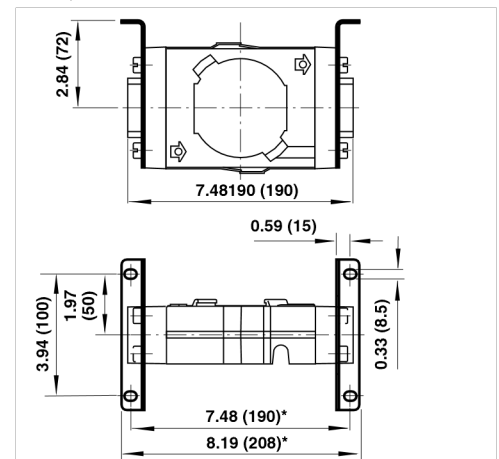
Dimensions in inches (mm)

Product	Accessory	Part No.
L64	Wall bracket	7 ounce bowl: 74504-50 1 quart bowl: 74504-52
	Tamper resistant seal wire for sight-feed dome	2117-01
	Low oil level switch. Provides electrical signal for warning or shut-down when oil level is low.	1 qt reservoir: 18-023-610
	Quick fill cap Use with 18-010-003 oil pump, pail, and hose assembly (see catalog sheet NC-26) to refill reservoir without shutting off air supply. Replaces fill plug.	18-011-024
	Remote fill - use with 7 ounce reservoir only Use with customer supplied pressurized oil source to automatically refill reservoir.	5335-50
L68	Wall bracket	1/2", 3/4", 1", 1-1/4" Ports: 18-001-978 1-1/2" Ports: Not Available
	Tamper resistant seal wire for sight-feed dome	2117-01
	Quick fill cap. Use with 18-010-003 oil pump, pail, and hose assembly (see catalog sheet NC-26) to refill reservoir without shutting off air supply. Replaces fill plug.	18-011-021
	Remote fill - use with 1 qt reservoirs only Use with customer supplied pressurized oil source to automatically refill reservoir.	5335-52

L64 Bracket (74504-52)



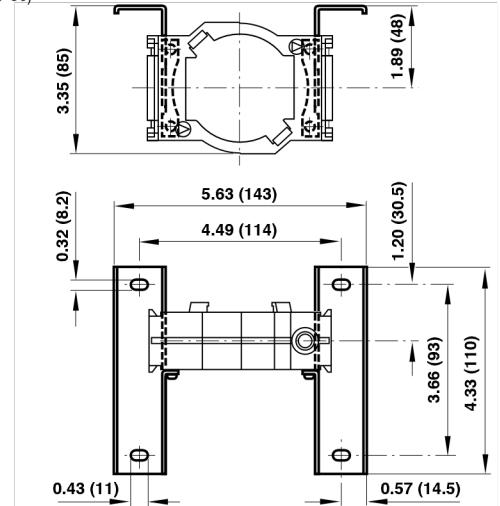
L68 Bracket (18-001-978)



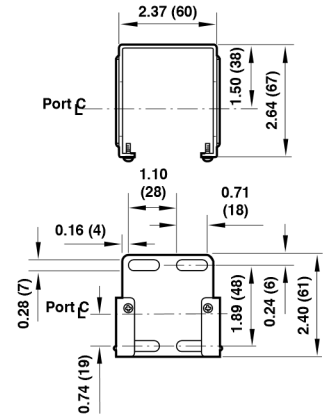
Dimensions in inches (mm)

Product	Accessory	Part No.
L72	Wall bracket	4224-50
L73	Wall bracket	4424-50
	Quick fill cap. Use with 18-010-003 oil pump, pail, and hose assembly (see catalog sheet NC-26) to refill reservoir without shutting off air supply. Replaces fill plug.	18-011-024
L74	Wall bracket	7 ounce bowl: 4324-50 1 quart bowl: 4324-51
	Low oil level switch - use with 1 qt reservoir only Provides electrical signal for warning or shut down when oil level is low.	18-023-610
	Quick fill cap. Use with 18-010-003 oil pump, pail, and hose assembly (see catalog sheet NC-26) to refill reservoir without shutting off air supply. Replaces fill plug.	18-011-024
	Remote fill - use with 7 ounce reservoir only Use with customer supplied pressurized oil source to automatically refill reservoir.	5335-50

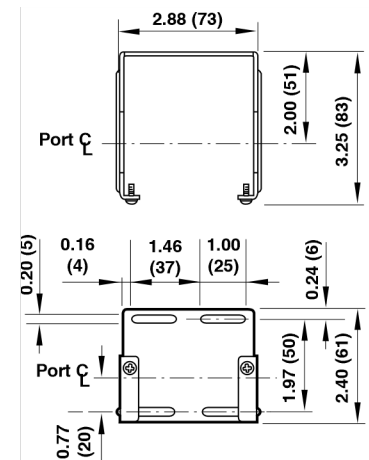
L64 Bracket (74504-50)



L73 Bracket (4424-50)



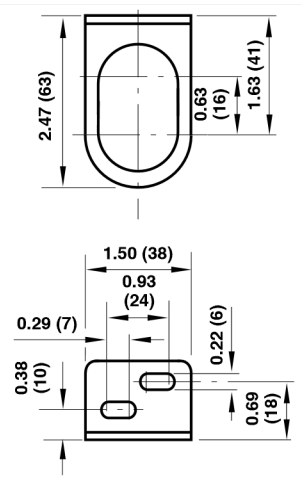
L74 Bracket (4324-50)



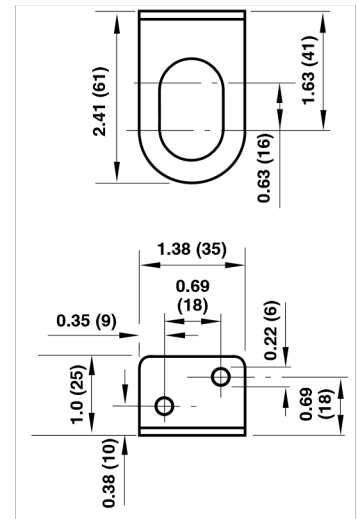
Dimensions in inches (mm)

Product	Accessory	Part No.
V06	Wall bracket for V06 with plastic bonnet	Bracket and plastic nut: 18-025-003 Plastic nut: 2962-89 Metal nut: 2962-04
	Wall bracket for V06 with brass bonnet	Bracket and metal nut: 18-001-021 Metal nut: 616-01
	Tamper resistant knob kit	18-001-092
V07	Wall bracket with plastic nut	Bracket and plastic nut: 18-025-003 Plastic nut: 2962-89 Metal nut: 2962-04
	Tamper resistant knob kit	18-001-092
V64	Wall bracket	74504-50
	Muffler	1/2 PTF: MB004A R1/2: MB004B
V68	Wall bracket	3/4", 1", 1-1/4" Ports: 18-001-978 1-1/2" Ports: Not Available
	Muffler	1/2 PTF: MB008A R1/2: MB008B

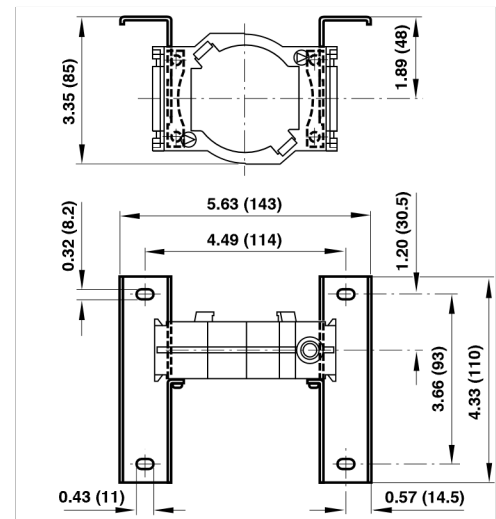
V06, V07 Bracket (18-025-003)



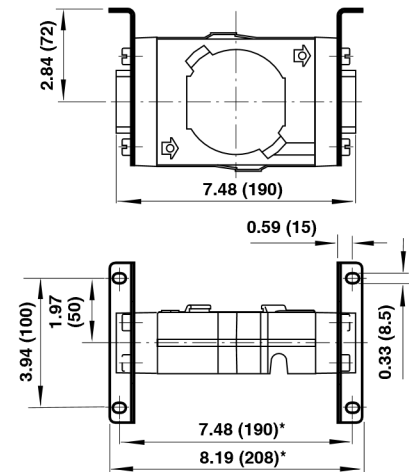
V06 Bracket for Brass Bonnet (18-001-021)



V64 Bracket (74504-50)

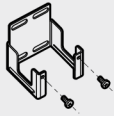
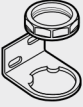

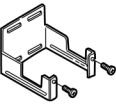




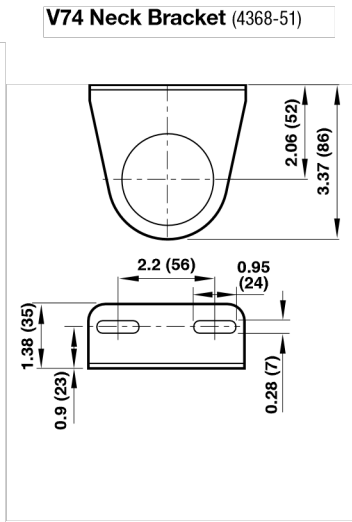
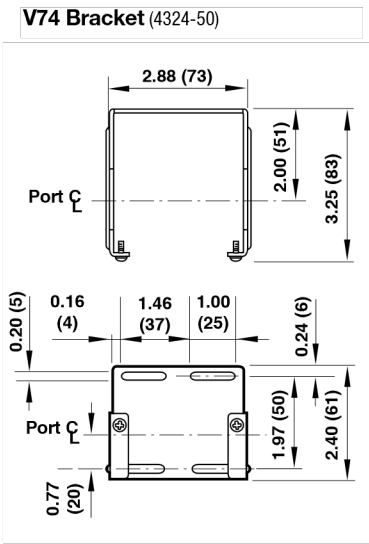
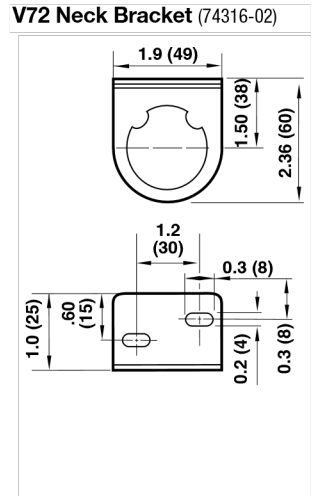
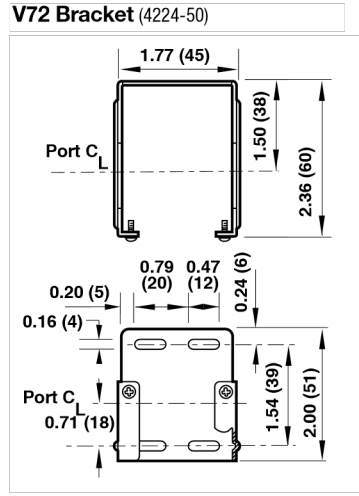
V68 Bracket (18-001-978)



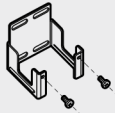











* Add 0.39" (10) for 1-1/4" ported yokes.

Dimensions in inches (mm)

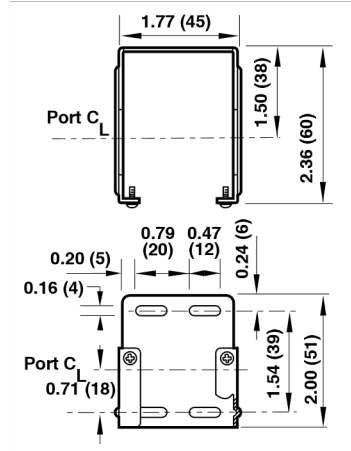
Product	Accessory	Part No.
V72	Wall bracket	4224-50
	 <p>Wall bracket/plastic nut</p> <p>Bracket and plastic nut: 74316-50 Bracket and metal nut: 74316-51 Plastic nut: 4248-89 Metal Nut: 4248-01</p>	
	 <p>Tamper resistant cover and wire. Install over knob to help prevent tampering of pressure setting. Use up to 2 padlocks with 5/16" (8mm) diameter shackle to secure cover. Lockout hasp may also be used.</p> <p>Cover and wire: 4255-51 Wire: 2117-01</p>	
	 <p>Lockout hasp. Allows use of up to 6 padlocks with 5/16" (8mm) diameter shackle.</p> <p>54547-01</p>	
V74	Wall bracket	4324-50
	 <p>Wall bracket/metal nut</p> <p>Bracket and metal nut: 4368-51 Metal Nut: 4348-89</p>	
	 <p>Tamper resistant cover and wire. Install over knob to help prevent tampering of pressure setting. Use up to 4 padlocks with 5/16" (8mm) diameter shackle to secure cover. Lockout hasp may also be used.</p> <p>Cover and wire: 4355-51 Wire: 2117-01</p>	
	 <p>Lockout hasp. Allows use of up to 6 padlocks with 5/16" (8mm) diameter shackle.</p> <p>54547-01</p>	



Dimensions in inches (mm)

Product	Accessory	Part No.
T72	Wall bracket	4224-50
		
	Mufflers (T72T)	Diffuser (10-32 and M5): 54463-01 Muffler (10-32): MS000A Muffler (M5): T40M0500
	 	
	Lockout hasp.(use only with T72E and T72T) Allows use of up to 6 padlocks with 5/16" (8mm) diameter shackle.	54547-01
		
T64	Muffler (T64T)	Muffler (1/8 PTF): MS001A Muffler (R1/8): T40B1800
		
	Lockout hasp. Allows use of up to 6 padlocks with 5/16" (8mm) diameter shackle.	54547-01
		
T68	Lockout hasp. Allows use of up to 6 padlocks with 5/16" (8mm) diameter shackle.	54547-01
		
T73	Mufflers (T73T)	Diffuser (10-32 and M5): 54463-01 Muffler (10-32): MS000A Muffler (M5): T40M0500
	 	
	Lockout hasp. Allows use of up to 6 padlocks with 5/16" (8mm) diameter shackle.	54547-01
		
T74	Muffler (T74T)	Muffler (1/8 PTF): MS001A Muffler (R1/8): T40B1800
		
	Lockout hasp. Allows use of up to 6 padlocks with 5/16" (8mm) diameter shackle.	54547-01
		

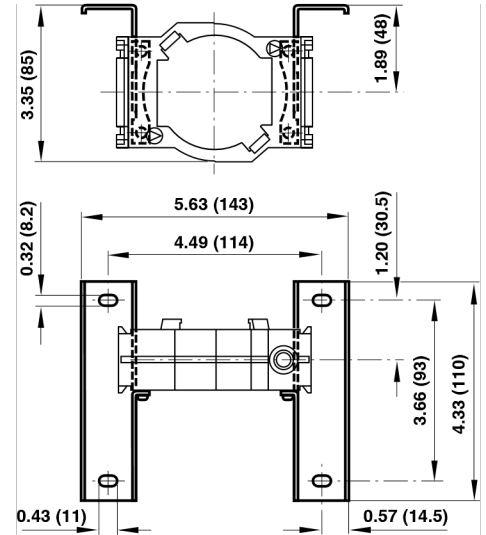
T72 Bracket (4224-50)



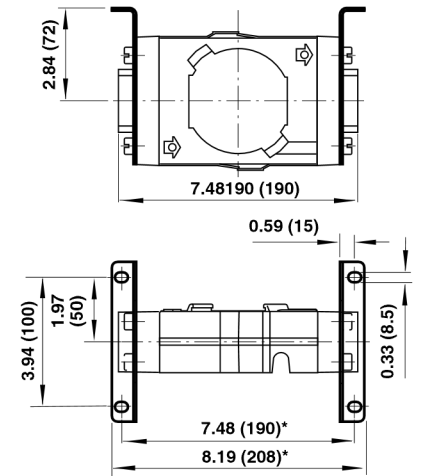
Dimensions in inches (mm)

Product	Accessory	Part No.
P72	Mufflers for P72C and P72F	1/4 PTF: MB002A R1/4: MB002B
	Lockout hasp for P72F. Allows use of up to 6 padlocks with 5/16" (8mm) diameter shackle.	54547-01
P64F	Wall bracket	74504-50
	Muffler	1/2 PTF: MB004A R1/2: MB004B
	Lockout hasp. Allows use of up to 6 padlocks with 5/16" (8mm) diameter shackle.	54547-01
P68F	Wall bracket	3/4", 1", 1-1/4" Ports: 18-001-978 1-1/2" Ports: Not Available
	Muffler	1" PTF: MB008A R1 : MB008B
	Lockout hasp. Allows use of up to 6 padlocks with 5/16" (8mm) diameter shackle.	54547-01
P74	Wall bracket	4324-50
	Mufflers for P74C and P74F	1/2 PTF: MB004A R1/2: MB004B
	Lockout hasp for P74F and P74C with lockout slide: Allows use of up to 6 padlocks with 5/16" (8mm) diameter shackle.	54547-01

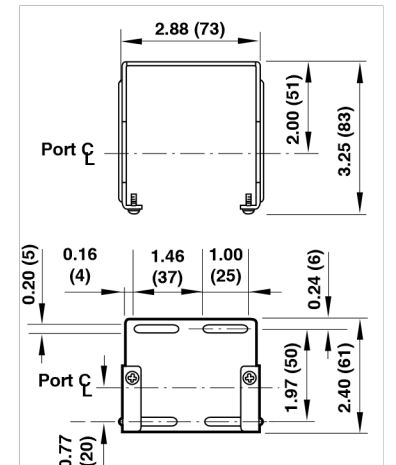
P64 Bracket (74504-50)



P68 Bracket (18-001-978)



P74 Bracket (4324-50)



Dimensions in inches (mm)