

PATLITE[®]
New Frontiers in Safety, Security and Comfort.

SLIM TOWER LIGHTS
Compact LED Signal Towers for Compact Spaces



BRIGHT, EFFICIENT AND EASILY INSTALLS ANYWHERE

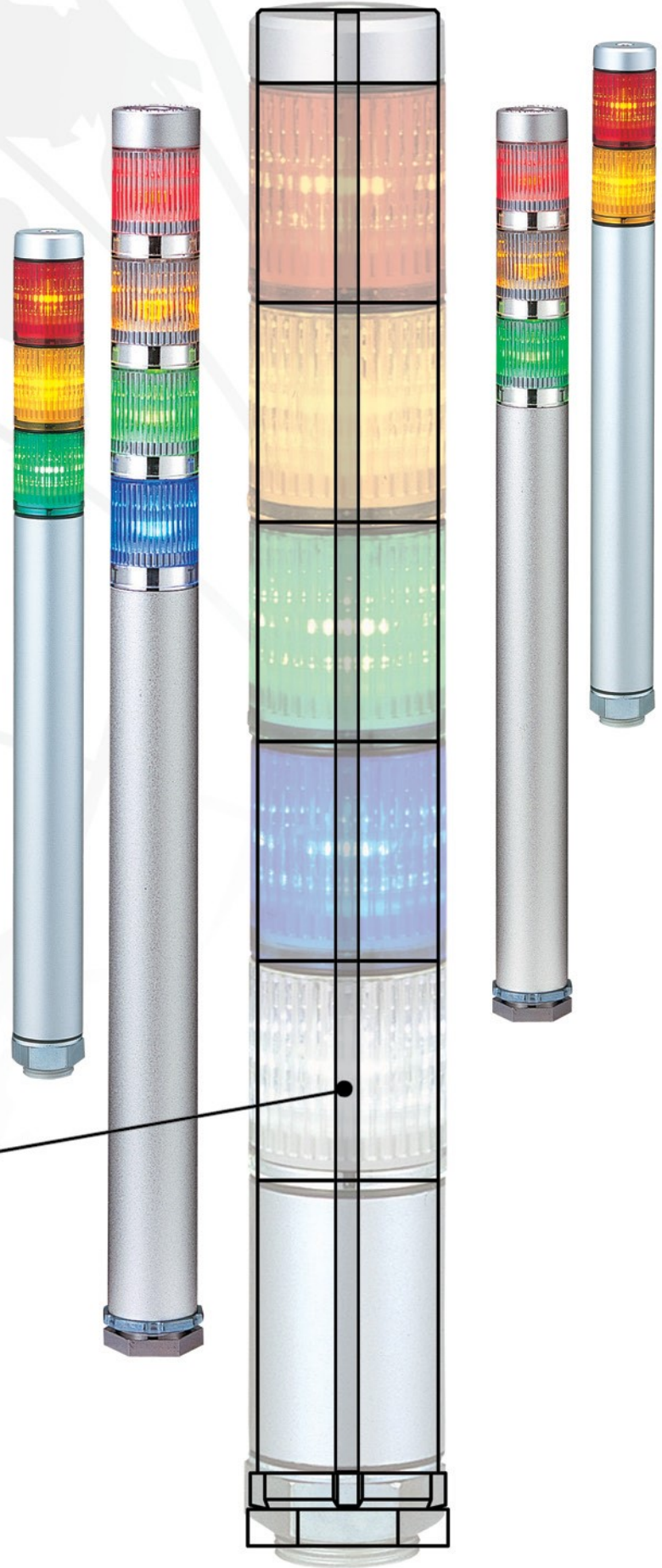
The slim tower series features an ultra-compact body diameter that easily installs to small machinery or areas where space is limited.

With a wide array of available accessories and options, such as M12 connection, clear lenses and modularity, the slim tower series is a flexible option to get the status indication you need in the tightest of spaces.

- Body diameter starting at 25mm
- Installs to a single, standard 22mm hole
- Field interchangeable LED and alarm segments

MP/ME SERIES
LED SIGNAL TOWER

DURABLE AND SIMPLE TO INSTALL AND CUSTOMIZE



Center Screw Design

Center screw secures tower for use in high vibration conditions and can easily be removed to reconfigure, add or remove color modules without the need to completely rewire the tower.

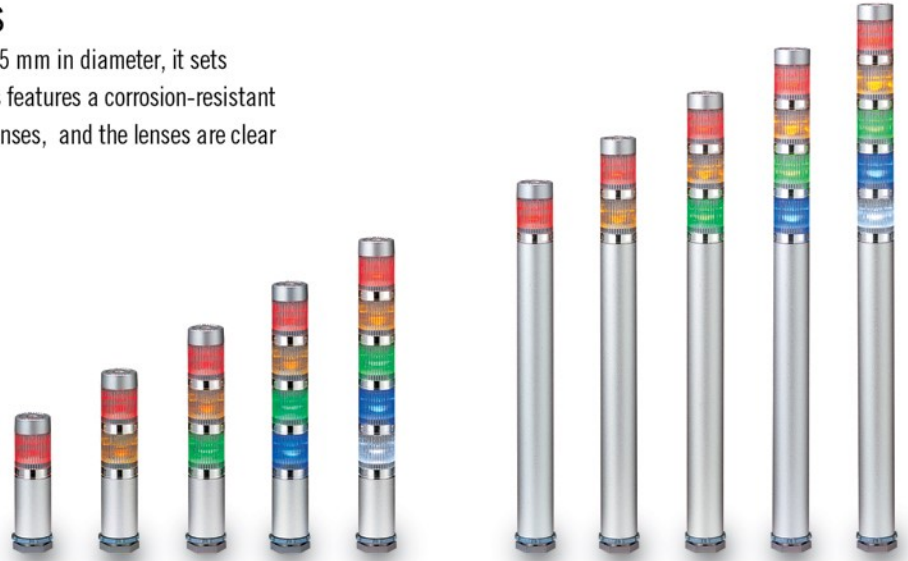
ME/MES SIGNAL TOWER



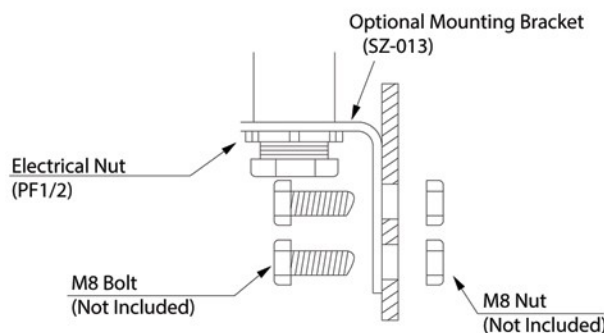
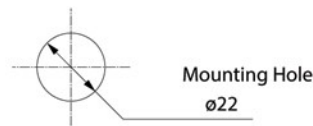
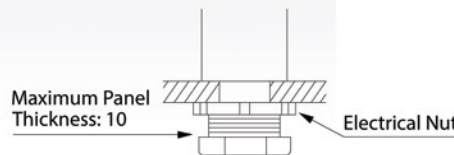
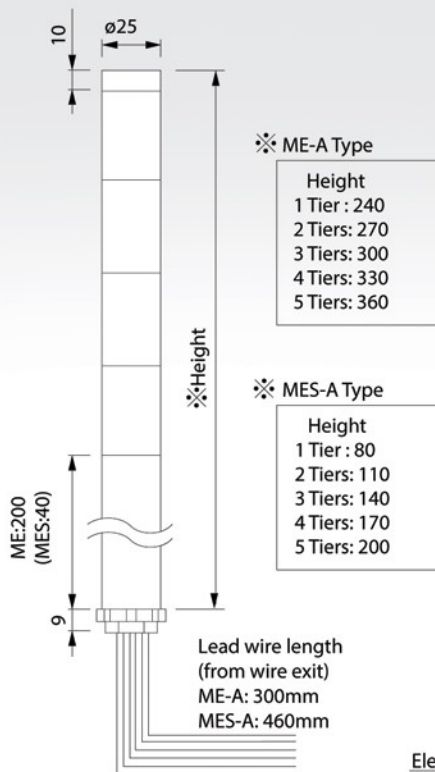
The Slimmest Signal Tower Series

The ME/MES is the slimmest series in the industry. At only 25 mm in diameter, it sets itself apart from traditional signal tower designs. The series features a corrosion-resistant aluminum body, impact and heat resistant polycarbonate lenses, and the lenses are clear to prevent false indication from ambient light.

- Rearrange LED modules without rewiring
- 25mm diameter
- Body Height: MES – 40mm; ME – 200mm
- NPN or PNP Open-collector
- Up to IP65 protection rating
- Clear lenses



DIMENSIONS (unit mm)



OPTIONS



WALL MOUNT "L" BRACKET
(pole not included)

SZ-013



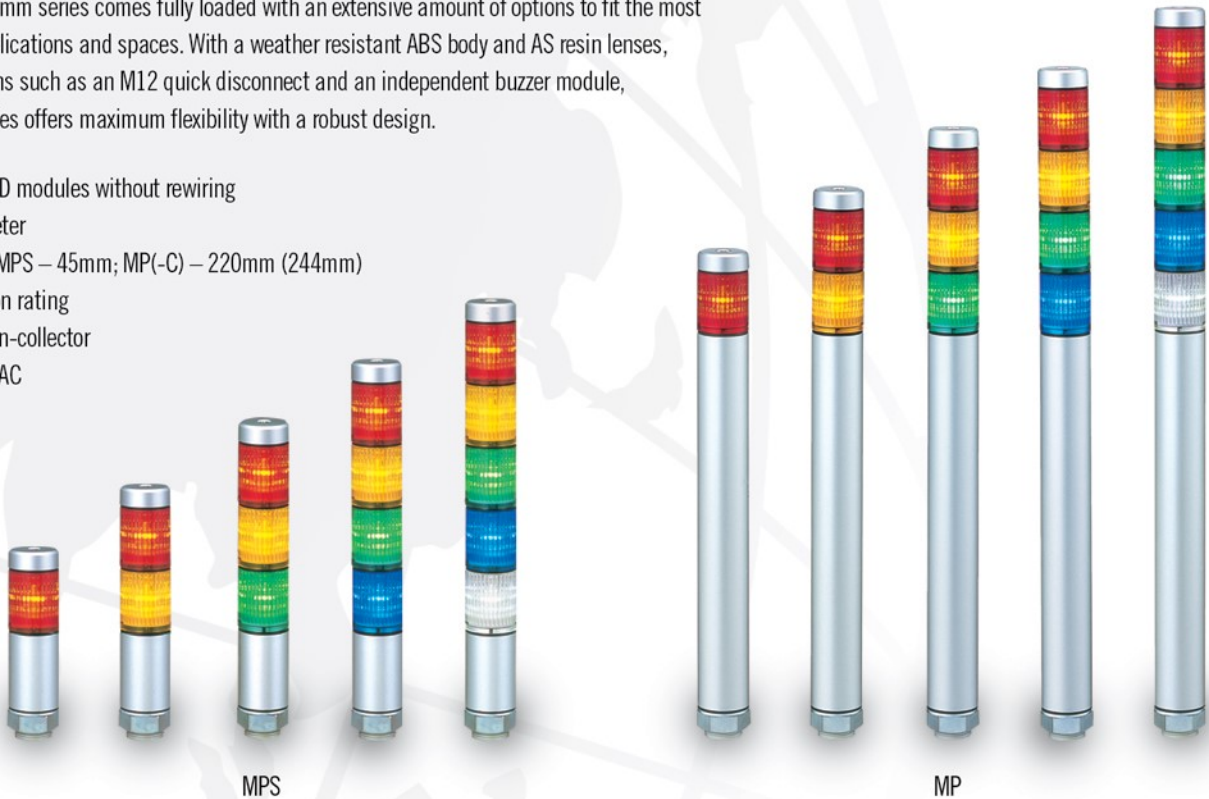
MP/MPS SIGNAL TOWER



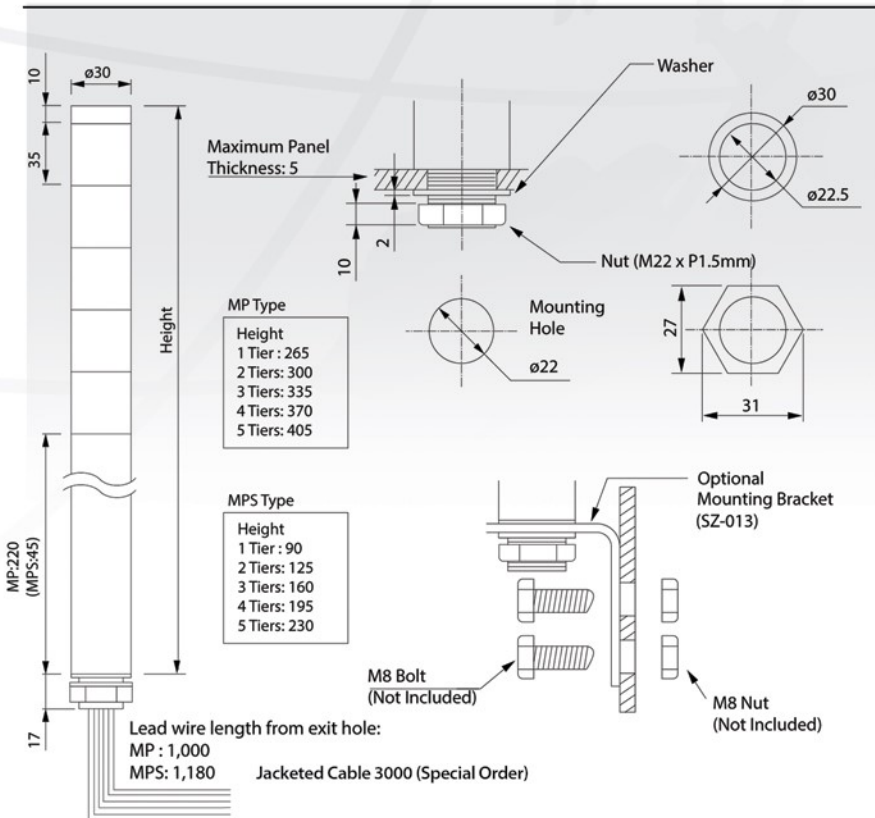
Maximum Flexibility with More Options

The MP/MPS 30 mm series comes fully loaded with an extensive amount of options to fit the most challenging applications and spaces. With a weather resistant ABS body and AS resin lenses, as well as options such as an M12 quick disconnect and an independent buzzer module, the MP/MPS series offers maximum flexibility with a robust design.

- Rearrange LED modules without rewiring
- 30 mm diameter
- Body Height: MPS – 45mm; MP(-C) – 220mm (244mm)
- IP65 protection rating
- NPN/PNP Open-collector
- 24VDC & 24VAC



DIMENSIONS (unit mm)



OPTIONS

- **M12 QUICK DISCONNECT**



- **CLEAR LENSES**
for eliminating false indication

- **221MM EXTENSION POLE** SZ-150



- **WALL MOUNT "L" BRACKET** SZ-013
(pole not included)



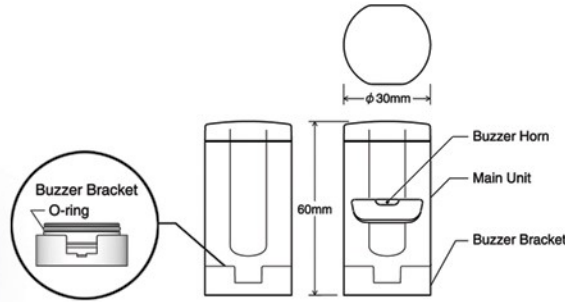
- **3/4 NPT ADAPTOR** SZ-904
Adaptor to match the metric 21.7mm to 3/4 inch type poles

MP-B BUZZER MODULE



Buzzer add on for MP and MPS signal tower models

- 80dB at 1 meter
- Operated by red LED module wire (Activation by other wire color must be special ordered)
- Made of heat resistant ABS resin for superior impact resistance



MP WITH MP-B & MP-C

(M12 Cable not included)



MP-C QUICK DISCONNECT



- 4-pin M12 Connector for the MP/MPS signal tower only
- Double insulation for enhanced durability and safety
- Direct mount installation with just a single hole
- Rearrange LED modules without rewiring
- Heat resistant ABS resin for superior impact resistance
- Available in 1, 2, or 3 light stacks (MP-B buzzer can also be added)



HOW TO ORDER



ME - **A** -

MODEL
ME: STANDARD
MES: SHORT

TIERS
1-5

RATED VOLTAGE
02: DC24V

COLOR
R: RED
Y: AMBER
G: GREEN
B: BLUE
C: CLEAR
(Top to bottom)

ME & MES Series

Body height	PNP/NPN	IP Protection	Voltage	Stacks	Models
200mm	NPN	42	24VDC	1 - light 2 - light 3 - light 4 - light 5 - light	ME-102A-R ME-202A-RG ME-302A-RYG ME-402A-RYGB ME-502A-RYGBC
200mm	PNP	65	24VDC	1 - light 2 - light 3 - light 4 - light 5 - light	ME-102P-R+FB123 ME-202P-RG+FB123 ME-302P-RYG+FB123 ME-402P-RYGB+FB123 ME-502P-RYGBC+FB123
40mm	NPN	42	24VDC	1 - light 2 - light 3 - light 4 - light 5 - light	MES-102A-R MES-202A-RG MES-302A-RYG MES-402A-RYGB MES-502A-RYGBC
40mm	PNP	65	24VDC	1 - light 2 - light 3 - light 4 - light 5 - light	MES-102P-R+FB123 MES-202P-RG+FB123 MES-302P-RYG+FB123 MES-402P-RYGB+FB123 MES-502P-RYGBC+FB123

OPTIONS

L angle metal bracket for wall mount	SZ-013
--------------------------------------	--------

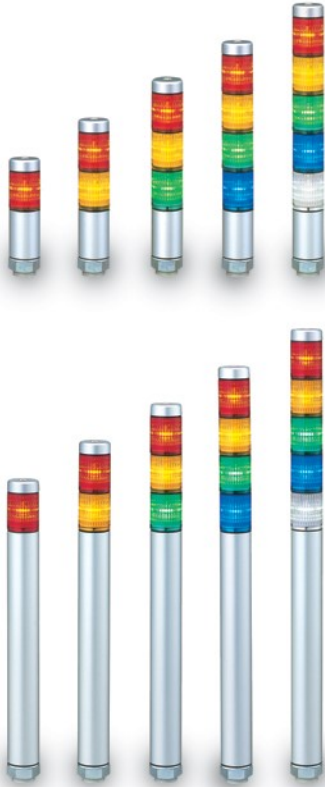
SPARE PARTS

	PNP/NPN	Lens color	Voltage	LED color	Part Numbers
LED MODULES	NPN	CLEAR	24VDC	RED	B72100223-1F1
		CLEAR	24VDC	AMBER	B72100223-2F1
		CLEAR	24VDC	GREEN	B72100115-3F1
		CLEAR	24VDC	BLUE	B72100115-4F1
		CLEAR	24VDC	WHITE	B72100115-7F1
LED MODULES	PNP	CLEAR	24VDC	RED	B72100226-1F1
		CLEAR	24VDC	AMBER	B72100226-2F1
		CLEAR	24VDC	GREEN	B72100135-3F1
		CLEAR	24VDC	BLUE	B72100135-4F1
		CLEAR	24VDC	WHITE	B72100135-7F1

Center Screws

Center Screws	Part Numbers
1-tier center screw for ME/MES	S33552110-0346F1
2-tier center screw for ME/MES	S33552110-0376F1
3-tier center screw for ME/MES	S33552110-03108F1
4-tier center screw for ME/MES	S33552110-03138F1
5-tier center screw for ME/MES	S33552110-03168F1

MP & MPS Series



MP - **02** -

MODEL

MP: STANDARD
MPS: SHORT

TIERS

1-5

RATED VOLTAGE

02: AC/DC24V

COLOR

R: RED
Y: AMBER
G: GREEN
B: BLUE
C: CLEAR/WHITE
(Top to bottom)

CLEAR LENS TYPE:
Model No. with +B0738

JACKETED CABLE TYPE:
Model No. with +FB146

MP-302C -

MODEL

MP: STANDARD
MPS: SHORT

TIERS

1-3

RATED VOLTAGE

02: AC/DC24V

COLOR

R: RED
Y: AMBER
G: GREEN

LEAD TYPE

BLANK: WIRE LEADS
C: M12 Quick Disconnect

Body height	PNP/NPN	IP Protection	Voltage	Stacks	Models
220mm	PNP/NPN	65	24VDC/AC	1 - light 2 - light 3 - light 4 - light 5 - light	MP-102-R MP-202-RG MP-302-RYG MP-402-RYGB MP-502-RYGBC
220mm	PNP/NPN	65	24VDC/AC	1 - light 2 - light 3 - light 4 - light 5 - light	MP-102-R+B0738 MP-202-RG+B0738 MP-302-RYG+B0738 MP-402-RYGB+B0738 MP-502-RYGBC+B0738
45mm	PNP/NPN	65	24VDC/AC	1 - light 2 - light 3 - light 4 - light 5 - light	MPS-102A-R MPS-202A-RG MPS-302A-RYG MPS-402A-RYGB MPS-502A-RYGBC
45mm	PNP/NPN	65	24VDC/AC	1 - light 2 - light 3 - light 4 - light 5 - light	MPS-102-R+B0738 MPS-202-RG+B0738 MPS-302-RYG+B0738 MPS-402-RYGB+B0738 MPS-502-RYGBC+B0738
220mm	PNP/NPN	65	24VDC/AC	1 - light 2 - light 3 - light	MP-102C-R MP-202C-RG MP-302C-RYG
45mm	PNP/NPN	65	24VDC/AC	1 - light 2 - light 3 - light	MPS-102C-R+FB247 MPS-202C-RG+FB247 MPS-302C-RYG+FB247

OPTIONS

Add-on buzzer (comes on with Red LED)	MP-B
Add-on buzzer (comes on independently - special order)	MP-B+FB216
3/4 inch NPT adaptor	SZ-904
221mm extension pole	SZ-150
L angle metal bracket for wall mount	SZ-013

SPARE PARTS

	Lens color	Voltage	LED color	Part Numbers
LED MODULES	RED	24VDC/AC	RED	B72100182-1F1
	AMBER	24VDC/AC	AMBER	B72100182-2F1
	GREEN	24VDC/AC	GREEN	B72100182-3F1
	BLUE	24VDC/AC	BLUE	B72100182-4F1
	WHITE	24VDC/AC	WHITE	B72100182-7F1
LED MODULES	CLEAR	24VDC/AC	RED	B72100192-1F1
	CLEAR	24VDC/AC	AMBER	B72100192-2F1
	CLEAR	24VDC/AC	GREEN	B72100192-3F1
	CLEAR	24VDC/AC	BLUE	B72100192-4F1

Center Screws

	Part Numbers
1-tier center screw for MP/MPS	S33552120-0355F1
2-tier center screw for MP/MPS	S33552120-0390F1
3-tier center screw for MP/MPS	S33552120-03125F1
4-tier center screw for MP/MPS	S33552120-03160F1
5-tier center screw for MP/MPS	S33552120-03195F1

WE CARRY VISUAL AND AUDIBLE SOLUTIONS FOR JUST ABOUT ANY APPLICATION.

SIGNAL TOWERS



LR4 LR5 LR6 LR7
The LR Series:
The Next Evolution of Signal Towers

LA6
Multi-color & Programmable
(Ethernet POE also available)

LR6-USB
Directly triggered and powered via USB interface

LR6-WC
M12 cabling and built-in 1/2" NPT and 30mm threaded mount

LS7-9
High-temperature, High-pressure washdown

WE / WME
Wall Mount

SMART ALERTS

BSV-L

MP3 87 dB at 1 m 520 second Playback PNP Open Collector NPN Open Collector



EHS / EHV

MP3 110 dB at 1 m 220 second Playback NPN Open Collector
EHV EHV
PNP Open Collector 32 Sounds 63 Sounds
EHS EHV



BK / BKV

MP3 95 dB at 1 m
BKV
63 second Playback NPN Open Collector
BKV



LKEH

IP53 MP3 LED 105 dB at 1 m
LKEH-FV
NPN Open Collector 32 Sounds 63 second Playback
LKEH-FV



OPTIONS

SD Card (2 GB) SDV-2GP