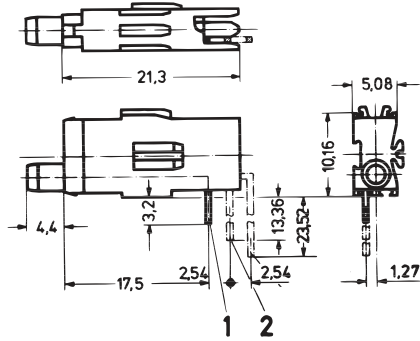


# Front panel component system

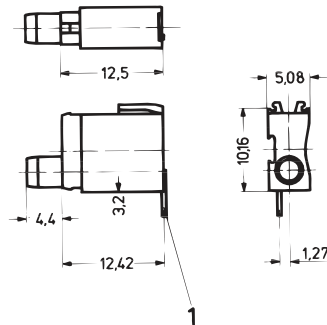
## TEST SOCKET, Ø 2 MM

Long type



1, 2 = mounting plane

Short type



1 = mounting plane

- Long type for mounting plane 1, 2
- Short type for mounting plane 1

### ORDER INFORMATION

For application in	1	2
	Part no.	Part no.
Long type	<b>69004-086</b>	69004-087
Short type	<b>69004-130</b>	-

Delivery is exclusively in Standard Pack Quantity (SPQ):  
Please order at least 10 pieces or a multiple. Pricing is per individual item.

### NOTE

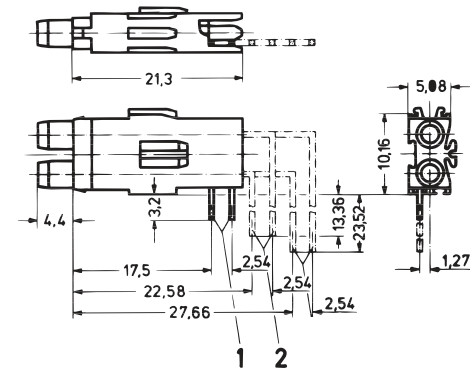
- Dimensions of connecting pins: 0.3 × 0.6 mm
- Required front panel drill hole: Ø 4 mm
- Technical data see page 11.20

A3-199b

KA943

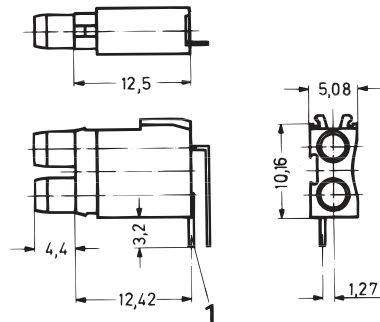
## DOUBLE TEST SOCKET, Ø 2 MM

Long type



1, 2 = mounting plane

Short type



1 = mounting plane

- Long type for mounting plane 1, 2
- Short type for mounting plane 1

### ORDER INFORMATION

For application in	1	2
	Part no.	Part no.
Long type	<b>69004-089</b>	69004-090
Short type	<b>69004-131</b>	-

Delivery is exclusively in Standard Pack Quantity (SPQ):  
Please order at least 10 pieces or a multiple. Pricing is per individual item.

### NOTE

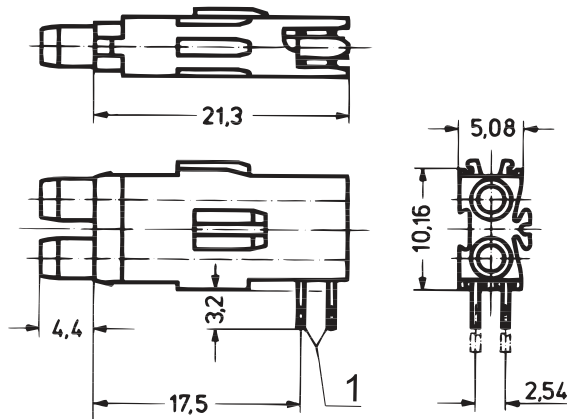
- Dimensions of connecting pins: 0.3 × 0.6 mm
- Required front panel drill hole: Ø 4 mm
- Technical data see page 11.20

05009050

05009051

# Front panel component system

## DOUBLE MAKE-BREAK SOCKET, Ø 2 MM



1 = mounting plane

A3-200

- Long type for mounting plane 1
- Gold-plated contacts
- Can also be used as test socket

### ORDER INFORMATION

For application in	Part no.
Long type	<b>69004-095</b>

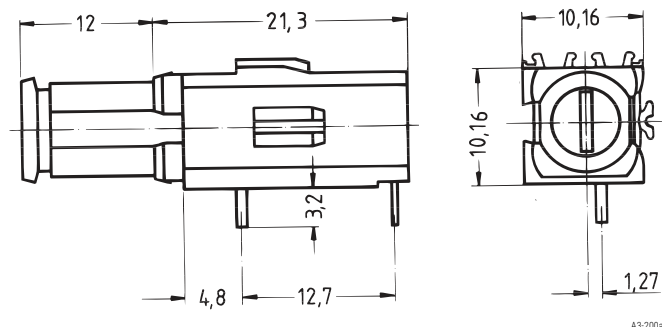
Delivery is exclusively in Standard Pack Quantity (SPQ):  
Please order at least 10 pieces or a multiple. Pricing is per individual item.

### NOTE

- Dimensions of connecting pins: 0.3 × 0.6 mm
- Required front panel drill hole: Ø 4 mm
- Technical data see page 11.20

# Front panel component system

## FUSE HOLDER



- Long type for mounting plane 1
- For glass fuse inserts 5 x 20 mm to DIN 41 571, 250 V<sub>AC</sub>, 6.3 A
- Contacts silver-plated

### ORDER INFORMATION

Description	Part no.
Long type	<b>69004-098</b>

Delivery is exclusively in Standard Pack Quantity (SPQ): Please order at least 10 pieces or a multiple. Pricing is per individual item.

### NOTE

- Dimensions of connecting pins: 0.7 x 0.6 mm
- Required front panel drill hole: Ø 9 mm

	Test socket/make-break socket	Double test socket/ double make-break socket	Fuse holder
Operating voltage	≤ 60 V <sub>DC/AC</sub>	≤ 30 V <sub>AC</sub>	≤ 250 V <sub>AC</sub>
Operating current	≤ 1 A	≤ 1 A	≤ 6.3 A
Test voltage	1 kV/50 Hz	1 kV/50 Hz	–
Temperature range	–25 ... +70 °C	–25 ... +70 °C	–25 ... +70 °C
Solder temperature	260 °C/max. 5 sec (processing advice for wave soldering: protect plastic body against solder wave)		
Contact material	Copper alloy	Copper alloy	Copper alloy
Contact surface	Selectively gold-plated	Selectively gold-plated	Silver-plated
Insulating body	PBT (Crastin)	PBT (Crastin)	PBT (Crastin)
Climatic use category	HSF <sup>1)</sup> to DIN 40 040	HSF <sup>1)</sup> to DIN 40 040	HSF <sup>1)</sup> to DIN 40 040
Flammability	UL 94 V-0	UL 94 V-0	UL 94 V-0

<sup>1)</sup> H = –25 °C; S = +70 °C; F = 75 % air humidity, no condensation