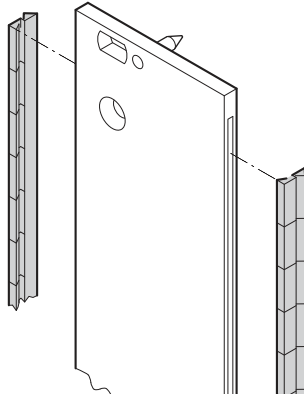
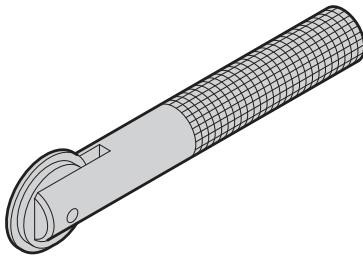


Modules – Front panels

STAINLESS STEEL EMC GASKET



Montagewerkzeug



bga45760

aza45937

- The stainless steel EMC gaskets are inserted into the lateral slots of the shieldable front panels (2 pieces per front panel)

DELIVERY COMPRISES

Item	Qty	Description
1	10/100	EMC gasket (stainless steel)

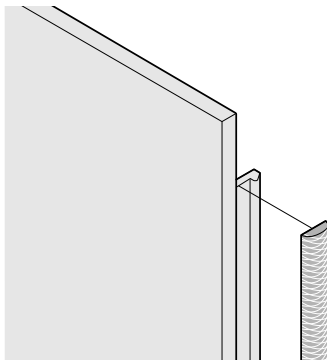
ORDER INFORMATION

Height U	Height mm	Qty/PU	Part no.
2	52	10	21101-775
3	97	10	21101-705
3	97	100	21101-706
4	142	10	21101-713
4	142	100	21101-714
5	187	10	21101-777
5	187	100	21101-778
6	232	10	21101-707
6	232	100	21101-708
9	367	10	21101-709
9	367	100	21101-710
Assembly tool for EMC gasket (stainless steel), 1 piece			24560-270

NOTE

- Please order assembly tool separately

TEXTILE EMC GASKET



04602054

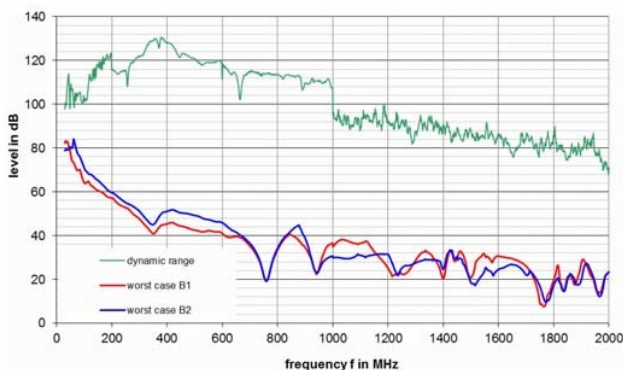
- Textile EMC gasket is glued laterally on the front panel, in the groove of the right-hand profile
- 2 temperature ranges
 - Temperature range -40... +70 °C
 - Temperature range -40... +85 °C

DELIVERY INCLUDES

Item	Qty	Description
1	see Order Information	EMC textile gasket, core: TPE foam (-40... +70 °C), Core: silicon with hollow chamber (-40... +85 °C), sleeve: textile cladding with CuNi coating

EMC characteristic (typical, green)

B1 (red): -40 ... -70 °C, B2 (blue): -40 ... -85 °C



04614052

ORDER INFORMATION

Height U	Height mm	Qty/PU	Part no. Temperature range -40... +70 °C	Part no. Temperature range -40... +85 °C
2	52	10	21101-857	21102-857
3	97	10	21101-853	21102-853
3	97	100	21101-854	21102-854
4	142	10	21101-858	21102-858
5	187	10	21101-978	21102-978
6	232	10	21101-855	21102-855
6	232	100	21101-856	21102-856
9	365	10	21101-859	21102-859
9	365	100	21101-904	-