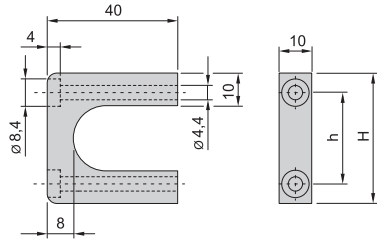


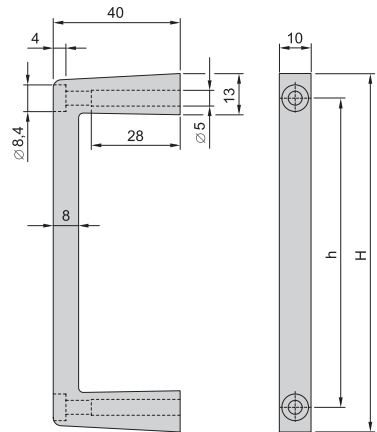
Desk-top cases – Accessories

FRONT HANDLE, ONE-PIECE, WIDTH 10 MM



H = 1 U

02905050



H ≥ 2 U

02905051

- Static load-carrying capacity 30 kg/pair
- Bolted from front

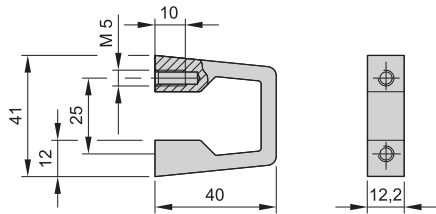
DELIVERY COMPRISES (kit)

Item	Qty	Description
1	2	Front handle, Al extrusion, anodised
2	1	Assembly kit

ORDER INFORMATION

Height H U	Height H mm	Height h mm	Part no.
1	40	28	20860-256
2	69	53	20860-257
3	113	97.5	20860-258
4	157.45	141.9	20860-259
5	201.9	186.4	20860-260

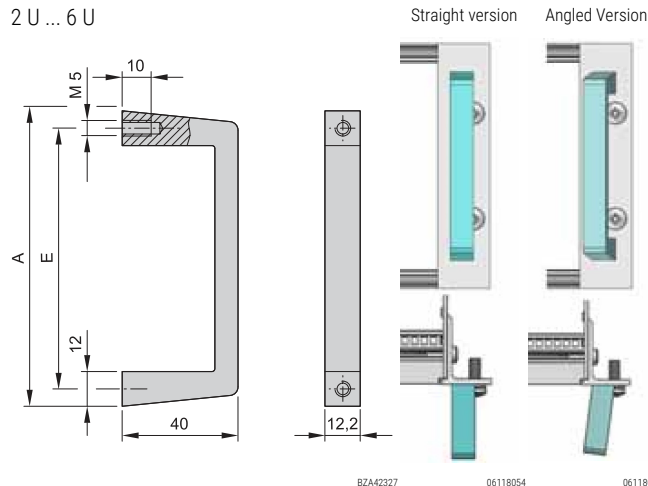
FRONT HANDLE, ONE-PIECE, WIDTH 12.2 MM



1 U

BZA42316

2 U ... 6 U



BZA42327

06118054

06118056

- Static load-carrying capacity 30 kg/pair
- Bolted from rear
- Angled version for easy access to screws

DELIVERY COMPRISES

Item	Qty	Description
1	1	Front handle, Al extrusion, anodised

ORDER INFORMATION

A	E	clear anodised Angled Version Part No.	black anodised Straight version Part No.	black anodised Straight version Part No.
41	25	–	10501-116	–
57.5	44.5	–	10501-016	–
69	55	–	10501-004	10501-025
102	88	10501-020	10501-005	10501-026
132	120	–	10501-006	10501-027
146.4	133.4	10501-021	10501-018	–
194	180	–	10501-007	10501-028
249	235	10501-022	10501-008	10501-029

Accessories

Panhead pozidrive screw self-locking, M5 x 12, zinc-plated, PU 100 pieces **21100-788**

Torx countersunk screw M5 x 12, zinc-plated, 100 pieces **24560-183**

Delivery is exclusively in Standard Pack Quantity (SPQ):

Please order at least 10 front handles or a multiple. Pricing is per individual item.

NOTE

- Please order panhead screws separately