

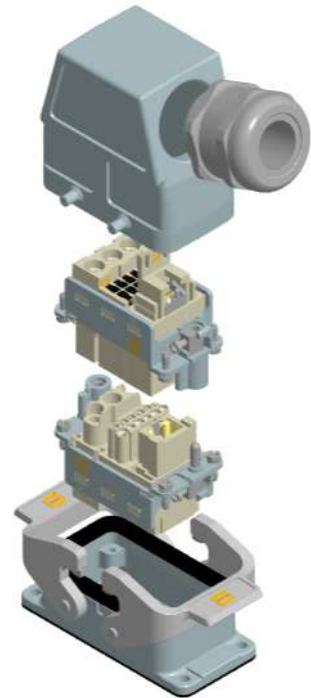
Technical Characteristics

Part Number

Han 10B Ethernet/Power/Signal Kit

Hood	Side Entry
Housing	Double Lever Bulkhead
Material	Die Cast Aluminum
IP / NEMA	IP67 / 4, 4x, 12
Temp Rating	-40 to +125C
Cable Gland	M32 Metal
Cable Diameter	13-20 / 18-25mm
Insert	See "Kit Contents"
Termination (Rj45 / Signal)	IDC/Axial Screw/Quicklock

73 10 100 0015

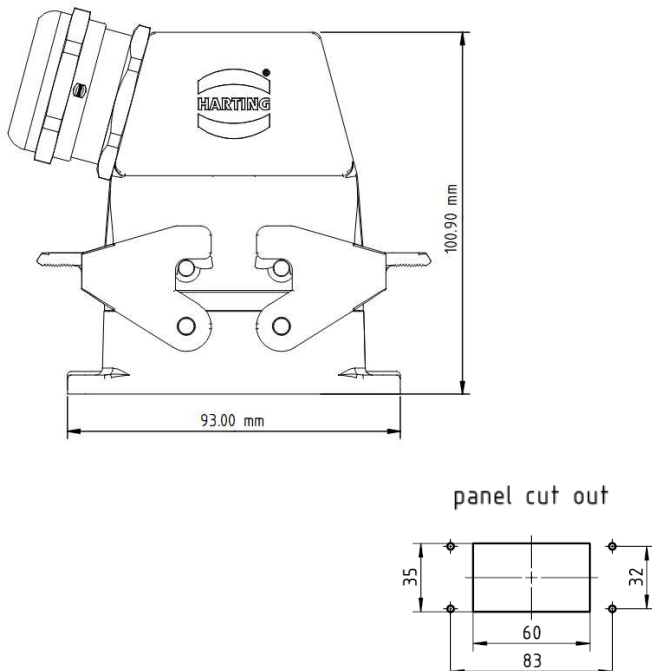


Electrical Characteristics

Ethernet	Cat.6 (8 wire)
Power	3 x (40A / 600V)
Signal	12 x (10A / 600V)

Drawings and Assembly Information

Dimensions in mm



Kit Contents

Kit Contents	
Male Rj45	09 45 400 1560
	09 14 001 4623
Female Rj45	09 14 001 4721
Male Signal Module	09 14 012 2632
Female Signal Module	09 14 012 2732
Male Power Module	09 14 003 2601
Female Power Module	09 14 003 2701
Hinged Frame 1	09 14 010 0361
Hinged Frame 2	09 14 010 0371
Housing	09 30 010 1301
Hood	19 30 010 0527
Cable Gland	19 00 000 5095

NOTE: See "Kit Contents" for individual module part numbers. All part numbers are available on the HARTING B2B E-Catalogue. See website for detailed specifications and drawings.

Fine stranded wire required for Quicklock and Axial screw termination