

Datasheet

RS50 Aluminium Housed Resistors

RS Stock No. 1754112~1754147 (see below)



Product details:

Manufactured in line with the requirements of MIL 18546 and IEC 115, designed for direct heatsink mounting with thermal compound to achieve maximum performance

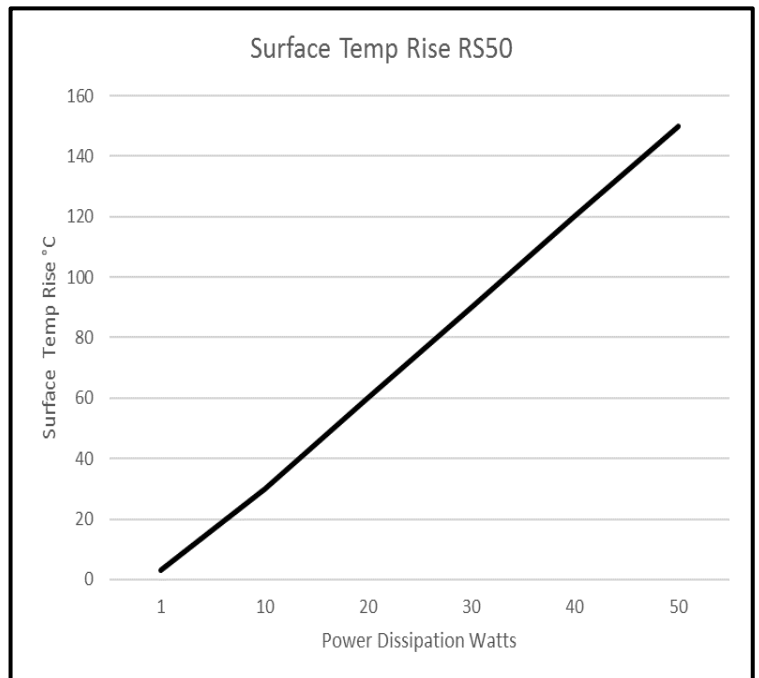
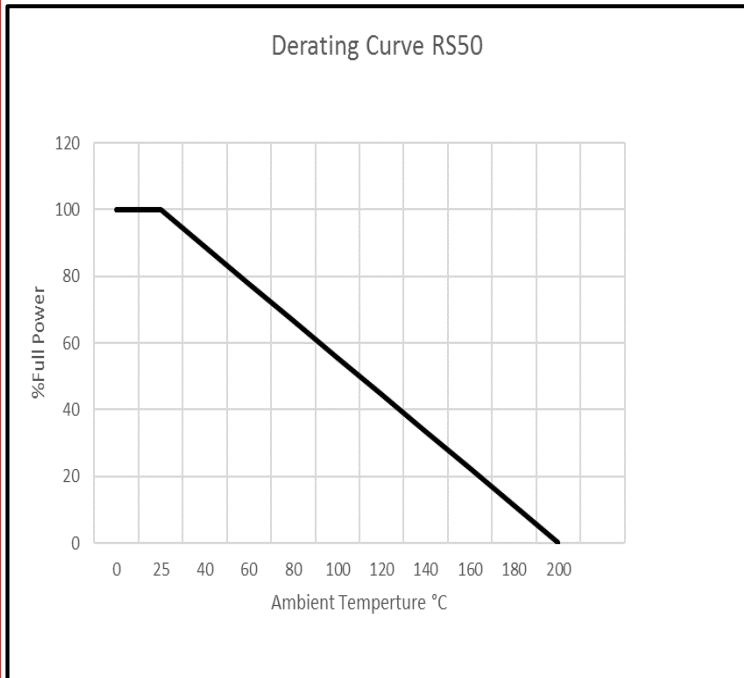
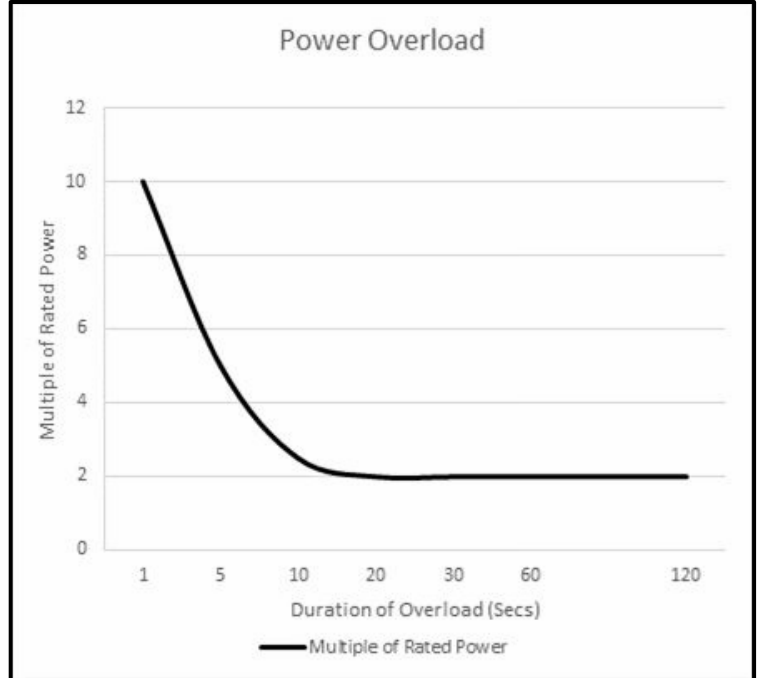
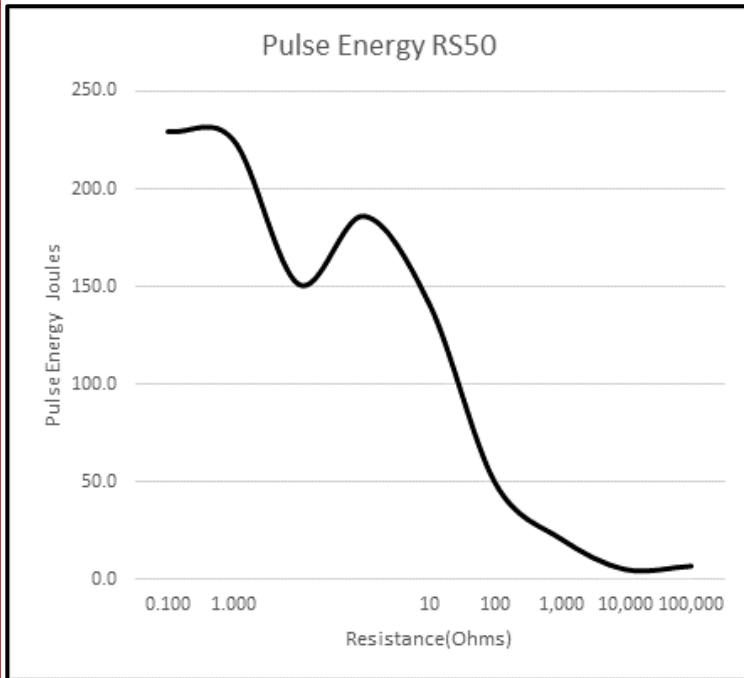
- High Power to volume
- Wound to maximise High Pulse Capability
- Values from R005 to 100K
- Custom designs welcome
- RoHS Compliant

Heat dissipation:

Whilst the use of proprietary heat sinks with lower thermal resistances is acceptable, uprating is not recommended. For maximum heat transfer it is recommended that a heat sink compound be applied between the resistor base and heat sink chassis mounting surface. It is essential that the maximum hot spot temperature of 200°C is not exceeded, therefore, the resistor must be mounted on a heat sink of correct thermal resistance for the power being dissipated.



Temp. Rise & Power Dissipation

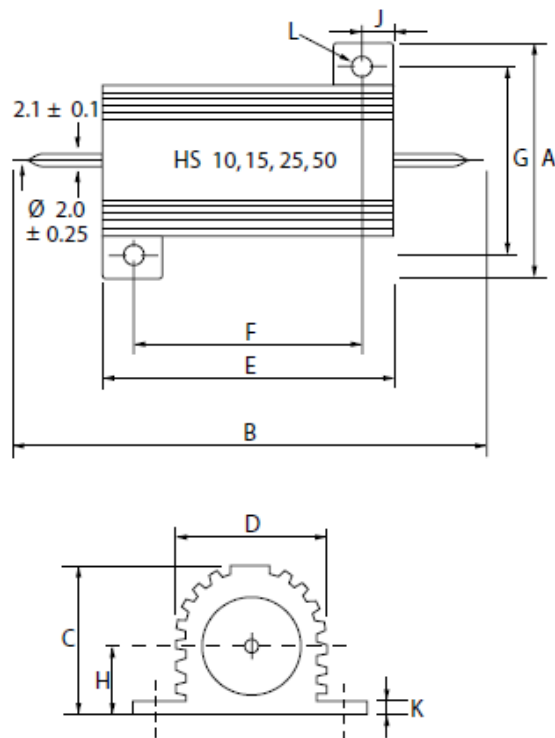




Specifications:

Style MIL-R 18546	RE 75
Power rating on std. heatsink @25°C	50
Watts with no heatsink @25°C	14
Resistance range	R01-86K
Limiting element voltage	1250
Voltage proof AC Peak	3500
Voltage proof AC rms.	2500
Approx weight gms	32
Typical surface rise 56 mount	3.0
Standard heatsink	535cm ²
	1mm

RS10-RS300 Standard:



Dimensions (mm):

Size	A Max	B Max	C Max	D Max	E Max	F ± 0.3	G ± 0.3	H Max	J Max	K Max	L ± 0.25
5650	28.0	72.5	14.8	14.2	49.1	39.7	21.4	8.4	5.2	2.6	3.2

RS Article No.	Power Rating	Resistance Rating
1754112	50W	27R
1754113	50W	2K2
1754114	50W	4k7
1754115	50W	33K
1754116	50W	5R6
1754117	50W	18R
1754118	50W	220R
1754119	50W	1K
1754120	50W	2R
1754121	50W	8R2
1754122	50W	50K
1754123	50W	20R
1754124	50W	R33
1754125	50W	500R
1754126	50W	R47
1754127	50W	12R
1754128	50W	56R
1754129	50W	10K
1754130	50W	24R
1754131	50W	470R
1754132	50W	6K8
1754133	50W	R1
1754134	50W	30R
1754135	50W	330R
1754136	50W	1K5
1754137	50W	180R
1754138	50W	270R
1754139	50W	5K6
1754140	50W	50R5
1754141	50W	1R2
1754142	50W	3K3
1754143	50W	47K
1754144	50W	680R
1754145	50W	120R
1754146	50W	R05
1754147	50W	150R