

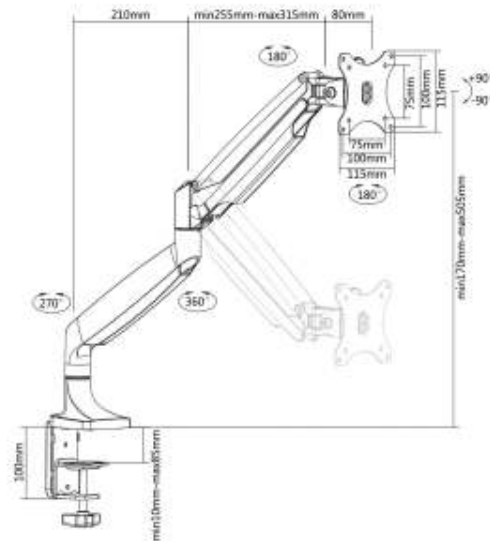


ENGLISH

Datasheet

RS PRO Single LCD Monitor Arm

Stock Number: 176-3376



Description

Gas spring integrated allows users to move the LCD panel in most positions.

- Made of high quality aluminium alloy
- Meets VESA 75 (75 x 75 mm) or VESA 100 (100 x 100 mm)
- Special feature: Pivot function – screen is 90° rotatable
- Small desktop mount saves space
- A clever cable management is built into the rear arm



ENGLISH

Datasheet

RS PRO Single LCD Monitor Arm

Stock Number: 176-3376

Specifications

- Arm extension: 605 mm
- Lift: 170 – 500 mm
- Monitor Pivot: 180°
- Rotation: 360° (arm & display)
- Load capacity: 9 kg (Max)

Technical Specifications

Product group	LCD-Monitor arms
Product type	Monitor Arms, Desk Clamp
Load capacity	9 kg
Quantity of pivots	6
Fixing	Desk clamp
Maximal arm length	580 mm
Adjustments	Gas spring
VESA 75 x 75 mm	Yes
VESA 100 x 100 mm	Yes
Technical particularity	Pivot functionality