

# Type 70

## High Flow Pressure Regulator

### Features

- High flow capacity - Up to 80 SCFM (2266 LPM)
- Responds quickly to minute changes in downstream pressure
- Dampening action of aspirator tube maintains downstream pressure
- Balanced supply valve minimizes the effect of supply pressure changes
- Bellofram's Buna-N and polyester rolling diaphragms are designed to give millions of cycles
- Honking and buzzing eliminated by action of integral baffle and aspirator tube
- Stack up construction can be disassembled and serviced without removal from air line

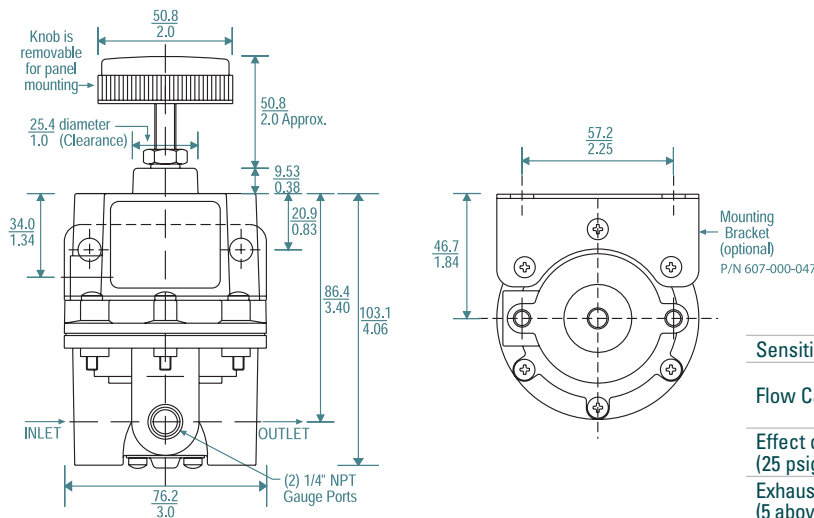
### Type 70 Description

The Type 70 Regulator is specifically designed for applications that require substantial flow capacity and accurate pressure controls. Flows of 80 SCFM (2250 LPM) can be attained.

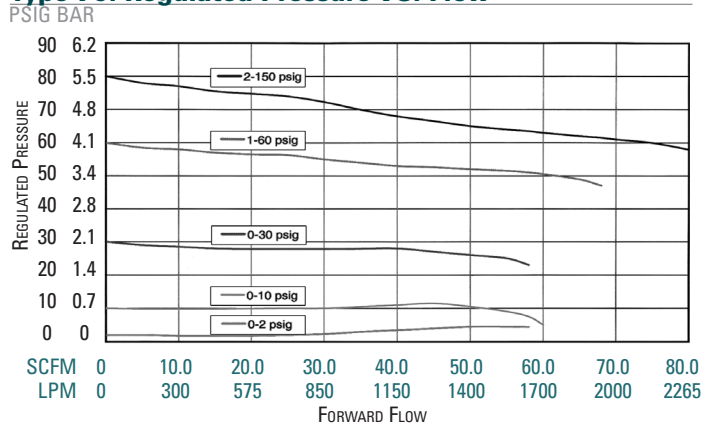
Downstream pressure can be set within 0.25 in. (6.3mm) of water column and is accurately maintained under varying flow conditions with the help of an aspirator tube which adjusts the air supply in accordance with the flow velocity. A balanced supply valve, utilizing a rolling diaphragm, makes the regulator virtually immune to changes in supply pressure.

The Type 70 has a rugged precision die cast aluminum housing, and is pressure-tested and chromate-treated for internal corrosion resistance. The regulator housing is finished with vinyl paint which resists scratching, weathering and other physical abuse.

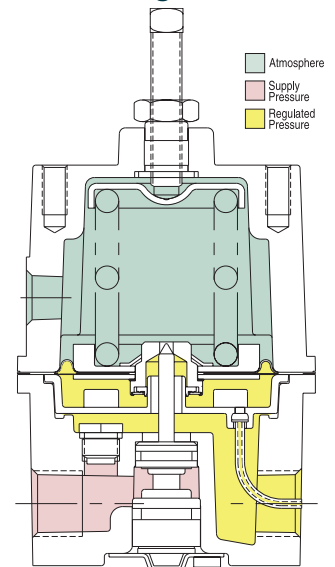
### Type 70 Dimensional Drawings



### Type 70: Regulated Pressure VS. Flow



## Type 70 Pressure Regulator Series



Type 70	
Sensitivity	1/4" (6.4 mm) Water Column
Flow Capacity	40 (1113 LPM) 50 (1416 LPM) or 80 SCFM (2266 LPM)
Effect of Supply Pressure variation (25 psig) on Outlet Pressure	< 0.025 PSIG (1.7 BAR)
Exhaust Capacity (5 above psig 20 psig set point)	4 SCFM (113 LPM)
Maximum Supply Pressure	250 PSIG (17.2 BAR)
Effect of Changes in Flow on Regulated Pressure (100 psig/6.9 BAR Supply)	2.5 PSIG (0.2 BAR) over flow 50 SCFM (1416 LPM) (3/8 NPT, 0-30 PSIG / 0-2.1 BAR range, 15 PSIG / 1 BAR set point)
Output Pressure Ranges (Type 70)	0-2 PSIG (0-0.1 BAR) 0-10 PSIG (0-0.7 BAR) 0-30 PSIG (0-2.1 BAR) 1-60 PSIG (0.1-4.1 BAR) 2-150 PSIG (0.1-10.3 BAR) 3-200 PSIG (0.2-13.8 BAR)
Set Point Ranges (Type 70BP)	N/A
Total Air Consumption @ Maximum Output	from 1.0 to 12.5 SCFH (0.5-6 LPM)
Temperature Range	-40° to 200°F (-40° to 93°C)
Port Size	1/4, 3/8, 1/2 NPT, BSPT
Materials of Construction	Body: Diecast aluminum with vinyl paint Adjusting Screw: Plated steel Trim: Plated steel, brass, acetal resin Diaphragm: Buna-N with polyester fabric Knob: Phenolic plastic Spring: Music wire
Size	3.0" X 3.0" X 6.0" (76 X 76 X 152 mm)
Weight	1.41 lb. (0.6 kg)
Preset Pressure	No
Tamper Resistant Cover	Yes
Mounting	Pipe, panel, or bracket