



EN

Datasheet

RS PRO NYLON-INSULATED CORD END

TERMINALS

Stock number: 178-7287

MAXIMUM ELECTRIC CURRENT:

A.W.G.	22
AMP.	9

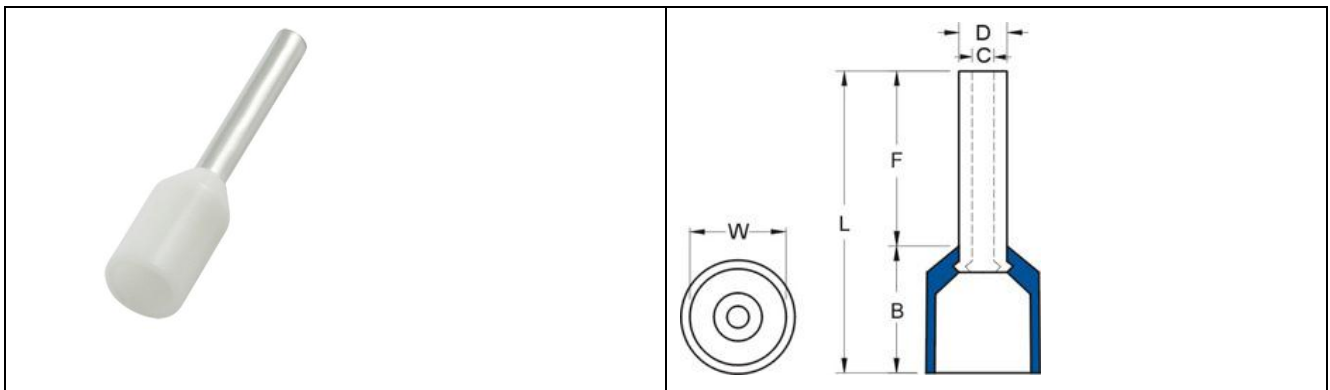
MAXIMUM ELECTRICAL RATING: 105° C 600 VOLTS MAX.

INSULATION MATERIAL: NYLON

TERMINAL MATERIAL: COPPER TUBE

SURFACE TREATMENT: TIN PLATE

INSULATION COLOR: WHITE



WIRE RANGE A.W.G. mm ²	ITEM NO.	DIMENSION inch(mm)					
		F	L	W	B	D	C
22 A.W.G.	178-7287	0.236	0.472	0.102	0.236	0.051	0.039
0.5 mm ²		6	12	2.6	6	1.300	1