



Main

Range of product	Lexium SD3
Product or component type	Motion stepper drive
Device short name	SD315
Supply voltage limits	19...60 V

Complementary

Format of the drive	Block
Phase	Single phase
[Us] rated supply voltage	24...48 V - 15...10 %
Supply voltage type	DC
Communication interface	Pulse/direction, Integrated
Maximum motor phase current	10 A
Current consumption	<= 7.5 mA
Power losses	<= 7 W
Associated fuse rating	10 A
Overtoltage category	III
Maximum leakage current	30 mA
Voltage state 0 guaranteed	<= 5 V 24 V optocoupler input signals <= 0.4 V 5 V optocoupler input signals
Voltage state 1 guaranteed	15...30 V 24 V optocoupler input signals 2.5...5.25 V 5 V optocoupler input signals
Input current	25 MA 5 V optocoupler input signals 7 mA 24 V optocoupler input signals
Maximum input frequency	200 KHz 24 V optocoupler input signals 200 kHz 5 V optocoupler input signals
Maximum switching voltage	30 V DC readiness signal output) 30 V pulse/direction output signal) 10 V DC output signal)
Maximum switching current	200 MA readiness signal output) 50 MA pulse/direction output signal) 20 mA output signal)
Maximum voltage drop	<1 V 50 mA load readiness signal output <0.5 V pulse/direction output signal
Physical interface	RS422 - pulse/direction interface with oscillator
Input voltage	< 30 V
Residual ripple	< 5 % 24 V control voltage)
Resistance	10 kOhm external potentiometer)
Analogue input type	Voltage 0...10 V 10 bits 50 kOhm
Local signalling	1 LED - ERR 1 LED - RUN
Type of cooling	Natural convection
Height	4.61 in (117 mm)
Maximum Width	2.93 in (74.5 mm)

Depth	0.93 in (23.5 mm)
Shock resistance	15 gn for 11 ms conforming to EN/IEC 60068-2-27
Net Weight	0.55 lb(US) (0.25 kg)

Environment

Electromagnetic compatibility	Electrostatic discharge level 3 EN/IEC 61000-4-2 Immunity to electrical transients level 4 EN/IEC 61000-4-4 Immunity to radiated radio-electrical interference level 3 EN/IEC 61000-4-3 Voltage/current impulse level 3 EN/IEC 61000-4-5
Standards	EN/IEC 61800-3 environment 1 EN/IEC 61800-3 EN/IEC 50178 EN/IEC 61800-5-1 EN/IEC 61800-3 environment 2
Product certifications	UL CUL
Marking	CE
Ambient air temperature for operation	32...122 °F (0...50 °C)
Ambient air temperature for storage	-13...158 °F (-25...70 °C)
Pollution degree	Level 2
Relative humidity	5...85 % without condensation
Operating altitude	<= 3280.84 ft (1000 m) without derating > 3280.84...< 6561.68 ft (> 1000...< 2000 m) without derating maximum ambient temperature 40°C, lateral distance of > 20 mm)
Vibration resistance	1 gn 13...150 Hz)EN/IEC 60068-2-6 1.5 mm 3...13 Hz)EN/IEC 60068-2-6
IP degree of protection	IP20



Ordering and shipping details

Category	18285 - STEPPER DRIVES
Discount Schedule	PC55
GTIN	00785901945710
Nbr. of units in pkg.	1
Package weight(Lbs)	0.88 lb(US) (0.40 kg)
Returnability	No
Country of origin	DE

Packing Units

Unit Type of Package 1	PCE
Package 1 Height	2.68 in (6.8 cm)
Package 1 width	7.48 in (19 cm)
Package 1 Length	5.04 in (12.8 cm)
Unit Type of Package 2	S04
Number of Units in Package 2	12
Package 2 Weight	10.97 lb(US) (4.978 kg)
Package 2 Height	11.81 in (30 cm)
Package 2 width	15.75 in (40 cm)
Package 2 Length	23.62 in (60 cm)

Offer Sustainability

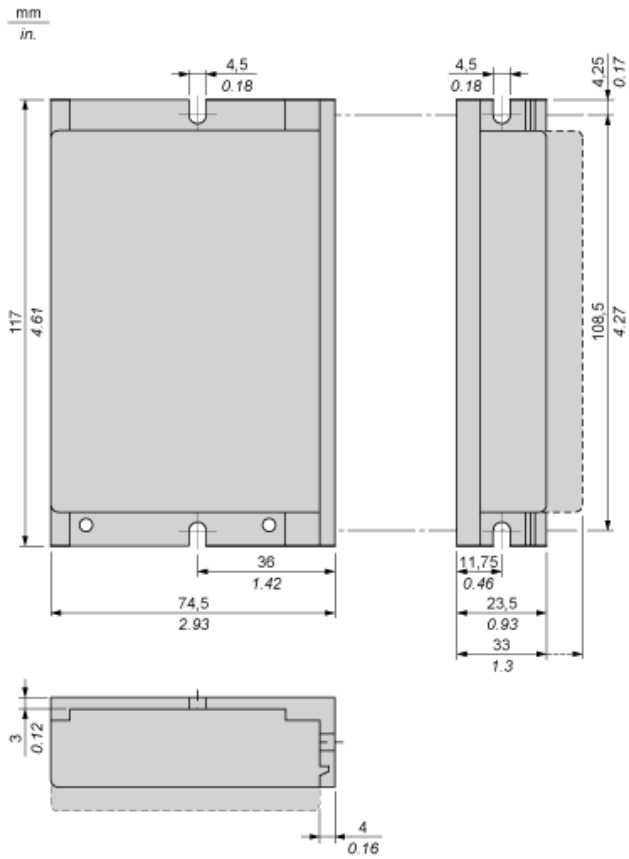
Sustainable offer status	Green Premium product
California proposition 65	WARNING: This product can expose you to chemicals including: Lead and lead compounds, which is known to the State of California to cause cancer and birth defects or other reproductive harm. For more information go to www.P65Warnings.ca.gov
REACH Regulation	 REACH Declaration
EU RoHS Directive	Pro-active compliance (Product out of EU RoHS legal scope)  EU RoHS Declaration
Mercury free	Yes

RoHS exemption information	Yes
China RoHS Regulation	China RoHS Declaration
Environmental Disclosure	Product Environmental Profile
Circularity Profile	End Of Life Information
PVC free	Yes

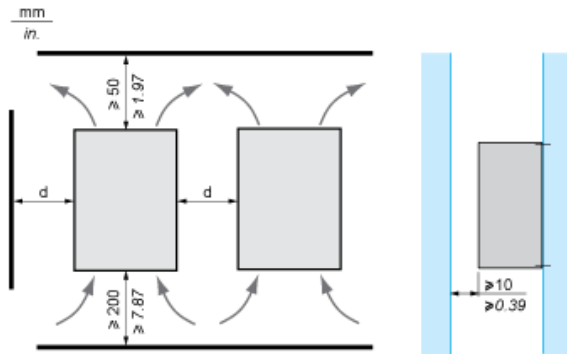
Contractual warranty

Warranty	18 months
----------	-----------

Dimensions

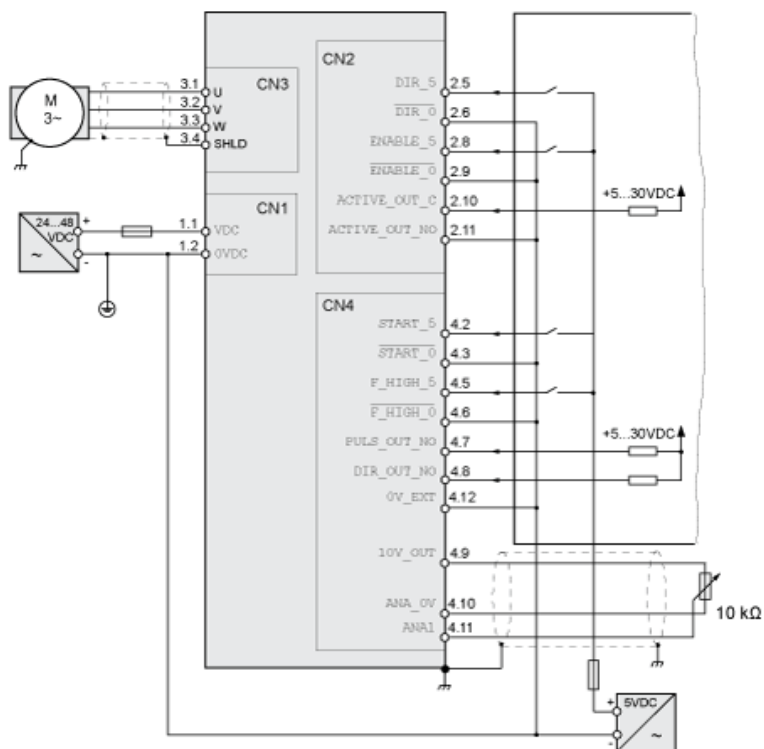


Mounting and Clearance



d : >30 mm/1.18 in.

Wiring Example with 5 V



Wiring Example with 24 V

