

788XCXRM4L-12D

General purpose relay, Legacy, 788R, 3PDT, 10A, 12 VDC, Quick terminal, clear cover with LED, lock push button



Main

| | |
|---------------------|---------------------------------|
| Product Type | Plug-in electromechanical relay |
| Rated Line Current | 10 A |
| Switch Function | 3PDT |
| Contact Composition | 3 NO + 3 NC |

Complementary

| | |
|--------------------------------|---|
| Rated Operational Current | 10 A at 277 V AC (on resistive load) conforming to UL 10 A at 30 V DC (on resistive load) conforming to UL 10 A at 250 V AC-1 (1 NO) (on resistive load) conforming to IEC 10 A at 28 V DC-1 (1 NO) (on resistive load) conforming to IEC 5 A at 250 V AC-1 (1 NC) (on resistive load) conforming to IEC 5 A at 28 V DC-1 (1 NC) (on resistive load) conforming to IEC |
| Maximum Switching Voltage | 300 V conforming to UL 300 V conforming to CSA 250 V IEC |
| Control Type | Lockable test button |
| Mounting Support | plug-in |
| Local Signalling | LED cover Flag |
| Contacts Material | Silver alloy, gold flashed |
| Rated Power in HP | 0.33 HP at 120 V AC 1 HP at 277 V AC |
| Connections Terminals | Blade terminal |
| Control Circuit Voltage Limits | 0.8...1.1 Un DC |
| Resistance | 120 Ohm |
| Average Coil Consumption | 1.4 W |
| Vibration Resistance | +/- 1 mm 10...35 Hz in operation 3 gn 35...150 Hz in operation |
| Operating Time | 20 ms |
| Drop-out Voltage Threshold | >= 0.15 Uc AC >= 0.1 Uc DC |
| Minimum Switching Current | 10 mA at 17 V DC |
| Product Weight | 2.93 oz (83 g) |
| Height | 2.09 in (53 mm) |
| Width | 1.38 in (35 mm) |
| Depth | 1.40 in (35.5 mm) |

The information provided in this documentation contains general descriptions and/or technical characteristics of the performance of the products contained herein. This documentation is not intended as a substitute for and is not to be used for determining suitability or reliability of these products for specific user applications. It is the duty of any such user or integrator to perform the appropriate and complete risk analysis, evaluation and testing of the products with respect to the relevant specific application or use thereof. Neither Schneider Electric Industries SAS nor any of its affiliates or subsidiaries shall be responsible or liable for misuse of the information contained herein.

Environment

| | |
|---------------------------------------|---|
| Shock Resistance | 10 gn |
| Ambient Air Temperature for Operation | -40...131 °F (-40...55 °C) |
| Ambient Air Temperature for Storage | -40...185 °F (-40...85 °C) |
| Product Certifications | UL CSA CE EAC |
| Dielectric Strength | 2500 V AC between coil and contact 2000 V AC between poles 1500 V AC between contacts |
| Electrical Durability | 100000 cycles |
| Mechanical Durability | 5000000 cycles |
| IP Degree of Protection | IP40 |

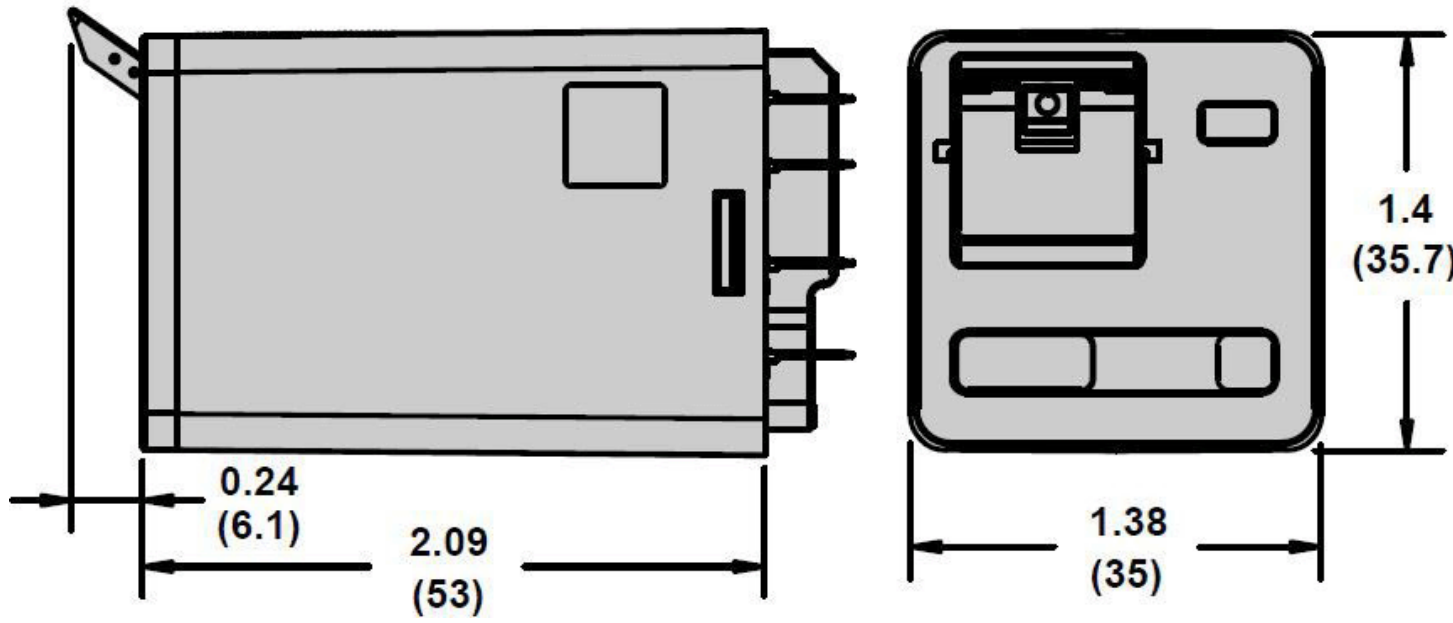
Ordering and shipping details

| | |
|------|----------------|
| GTIN | 03606480780233 |
|------|----------------|

Offer Sustainability

| | |
|----------------------------|--|
| Sustainable offer status | Green Premium product |
| California proposition 65 | WARNING: This product can expose you to chemicals including: Nickel compounds, which is known to the State of California to cause cancer, and Di-isodecyl phthalate (DIDP), which is known to the State of California to cause birth defects or other reproductive harm. For more information go to www.P65Warnings.ca.gov |
| REACH Regulation | REACH Declaration |
| REACH free of SVHC | Yes |
| EU RoHS Directive | Pro-active compliance (Product out of EU RoHS legal scope) EU RoHS Declaration |
| Toxic heavy metal free | Yes |
| Mercury free | Yes |
| RoHS exemption information | Yes |
| China RoHS Regulation | China RoHS Declaration |
| Environmental Disclosure | Product Environmental Profile |
| WEEE | The product must be disposed on European Union markets following specific waste collection and never end up in rubbish bins. |

Approximate Dimensions



Connections and Wiring Diagrams

