


# Type 51

## Pressure Regulator Series

### Features

- Excellent regulation, stability and repeatability
- Low droop
- Small package size
- Panel, bracket or pipe mounting
- Meets ATEX  II 2 G Dc T 6 (Non-electrical certification)

### Description

The Bellofram Type 51 Precision Air Regulator series offers a high-performance regulator in a compact, low cost package. It operates in output pressure ranges up to 100 PSIG / 6.9 BAR (120 PSIG), with a maximum supply pressure of 250 psi (17.3 BAR).

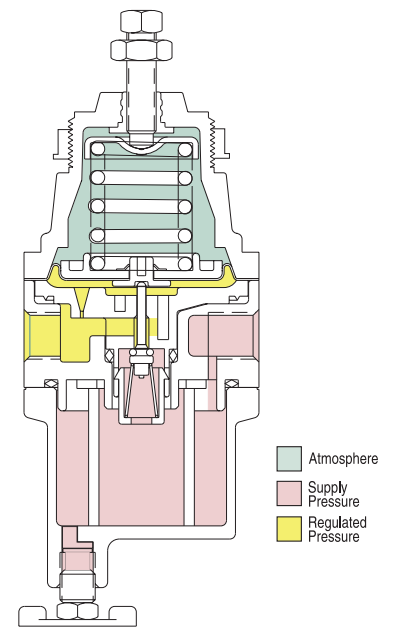
### Materials of Construction for Standard Type 51 Series Regulators

Diecast aluminum for the body and dripwell; glass-reinforced thermoplastic polyester for the bonnet; acetal resin for the internals; BUNA-N for the diaphragm, gaskets and O-ring, fluorocarbon for the pintle seat, and aluminum for the drain valve (plated steel handle).

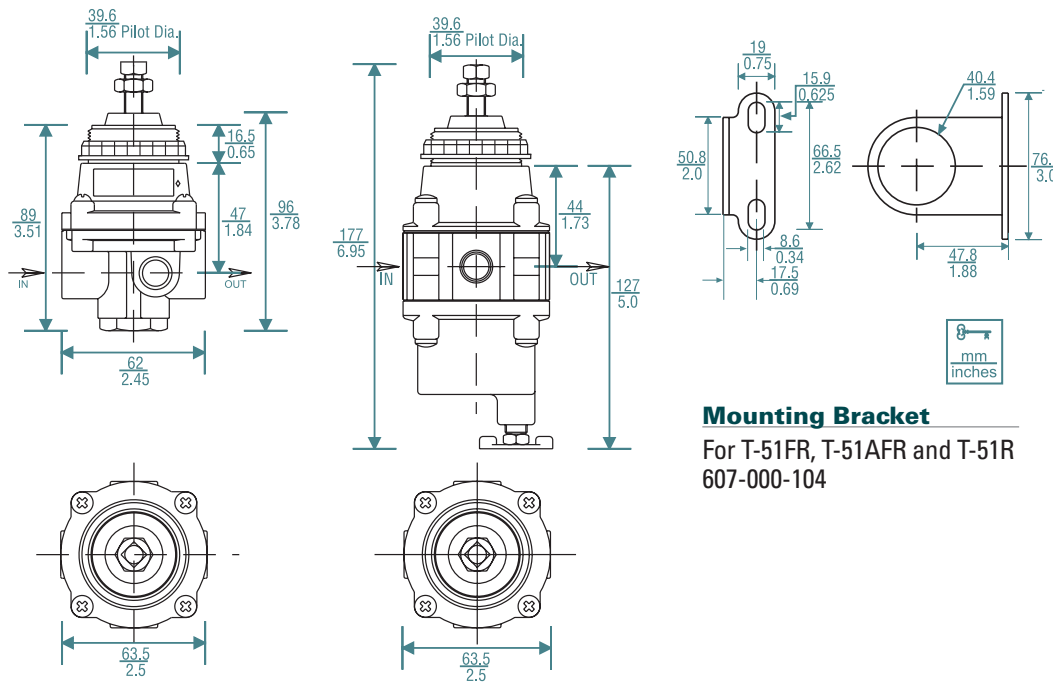


**Type 51**  
Pressure Regulator Series

	Type 51R	Type 51FR Filter
Maximum Supply Pressure	250 PSIG (17.3 BAR)	250 PSIG (17.3 BAR)
Output Pressure Range	0-30 PSIG (0-2.1 BAR) 0-60 PSIG (0-4.1 BAR) 0-100 PSIG (0-6.9 BAR)	0-30 PSIG (0-2.1 BAR) 0-60 PSIG (0-4.1 BAR) 0-100 PSIG (0-6.9 BAR)
Supply Pressure Sensitivity @ 25 psig / 1.7 BAR change in supply	0.20 PSIG (0.01 BAR) output change	0.45 PSIG (0.03 BAR) output change
Sensitivity	1" (2.5 cm) of water	1" (2.5 cm) of water
Repeatability	0.1 PSIG (0.01 BAR)	0.1 PSIG (0.01 BAR)
Flow @ 100 psig (6.9 BAR) Supply 20 psig (1.4 BAR) outlet	15 SCFM (425 LPM)	20 SCFM (566 LPM)
Exhaust Capacity @ 5 psig (0.34 BAR) above setpoint	0.1 SCFM (2.8 LPM)	0.1 SCFM (2.8 LPM)
Temperature Range	-0 to 125°F (-18 to 52°C)	-0 to 125°F (-18 to 52°C)
Air Consumption	6 SCFH (2.84 LPM) Maximum	6 SCFH (2.84 LPM) Maximum
Port Size	1/4 NPT	1/4 NPT
Materials of Construction	Aluminum, Plated Steel, Brass, Acetal Resin, Buna-N /Polyester, Music Wire	Aluminum, Plated Steel, Acetal Resin, Buna-N / Polyester, Music Wire, Fluorocarbon



### Type 51R and 51FR Dimensional Drawings



**Mounting Bracket**  
For T-51FR, T-51AFR and T-51R  
607-000-104