



# SPECIFICATION FOR APPROVAL

CUSTOMER: \_\_\_\_\_

DESCRIPTION: I.T.E. POWER SUPPLY REV: (A0)

MODEL NO: HK-AB-150A200-DH6 PART NO: HKSC-180195

DESIGNED NO: 180195-0517 DATE: JUN.07th.2018

CUSTOMER APPROVED SIGNATURES			VENDOR APPROVED SIGNATURES		
			A circular blue stamp with the text '經理' (Manager) at the top, '2018.06.07' in the middle, and '田青松' (Tian Qingsong) at the bottom.	A circular blue stamp with the text '課長' (Section Chief) at the top, '2018.06.07' in the middle, and '歐陽建瓊' (Ouyang Jianqiong) at the bottom.	A circular blue stamp with the text '繪圖員' (Draftsman) at the top, '2018.06.07' in the middle, and '陈冬婷' (Chen Dongting) at the bottom.



SPECIFICATION CHANGE HISTORY

CUSTOMER		PART NO	HKSC-180195
MODEL NO		REV	(A0)
HK-AB-150A200-DH6			
REV	DATE	DESCRIPTION	REMARKS
A0	18.06.07	新發行承認書. (New issue)	陈冬婷
SAFETY APPROVAL:		ENGINEER APPROVAL:	
		ELECTRICAL	STRUCTURAL
張偉松		歐陽建瓊	陳 銘



MODEL NO. :	HK-AB-150A200-DH6	PAGE NO. :	1 OF 9
PART NO. :	HKSC-180195	ISSUED DATE:	2018.06.07
DESCRIPTION :	I.T.E. POWER SUPPLY	REV:	(A0)

## CONTENTS

1. INTRODUCTION
2. INPUT REQUIREMENTS
3. OUTPUT REQUIREMENTS
4. EFFICIENCY
5. LINE REGULATION
6. HOLD UP TIME
7. TURN ON TIME
8. TEMPERATURE COEFFICIENT
9. DIELECTRIC STRENGTH (Hi-Pot) TEST
10. INSULATION RESISTANCE
11. PROTECTION
12. ENVIRONMENTAL CONDITIONS
13. EMI/ EMC
14. RELIABILITY AND QUALITY CONTROL
15. SAFETY
16. OVERALL DRAWING
17. PACKING
18. MARKING
19. TEST REPORT



MODEL NO. :	HK-AB-150A200-DH6	PAGE NO. :	2 OF 9
PART NO. :	HKSC-180195	ISSUED DATE:	2018.06.07
DESCRIPTION :	I.T.E. POWER SUPPLY	REV:	(A0)

## 1.0 INTRODUCTION

This document specifies a switching power supply with a output of +15V, and electronic process. The switching power supply will provide power for technology equipments including electrical business equipment. The adaptor meets the requirement of lead free and RoHS.

## 2.0 INPUT REQUIREMENTS

2.1 Input Voltage Range: 100(-10%)VAC to 240(+10%)VAC

2.2 Input Frequency Range: 47 Hz to 63 Hz

2.3 Input In-rush Current: 50A Max

2.4 Input Power Consumption at no-load : 0.1W Max

Test condition will be tested after No load operating for 30min then measure it.

2.5 Input Current: 0.8A Max

## 3.0 OUTPUT REQUIREMENTS

3.1 Output Voltage: +15V

3.2 Output Regulation: 14.25-15.75V

3.3 Output Load Range: 0-2.0A

3.4 Output Ripple & Noise: 200mV Max @20MHz bandwidth with  
10UF/50V capacitance and 104/50V ceramic capacitor.

4.0 EFFICIENCY:  $\geq 86.94\%$  @average of 25/50/75/100% loads 115&230VAC input

Test condition will be tested after full load operating for 30min then measure it.

5.0 LINE REGULATION:  $\pm 2\%$  maximum

6.0 HOLD UP TIME: 10ms Min at 110VAC full load.

7.0 TURN UP TIME: 2S Max at 110VAC full load.



MODEL NO. :	HK-AB-150A200-DH6	PAGE NO. :	3 OF 9
PART NO. :	HKSC-180195	ISSUED DATE:	2018.06.07
DESCRIPTION :	I.T.E. POWER SUPPLY	REV:	(A0)

8.0 TEMPERATURE COEFFICIENT: 0.05%/°C

### 9.0 DIELECTRIC STRENGTH (Hi-Pot) TEST

9.1 Primary to Secondary :AC 3000Vrms, 4 mA , 1 minute for type test, 2 second for production test.

### 10.0 INSULATION RESISTANCE

Primary to secondary: 50M OHM to 500VDC.

### 11.0 PROTECTION

#### 11.1 Input Protection

The switching power supply has a 2 Amps current fuse to protect itself.

#### 11.2 Output Protection

##### 11.2.1 Output Current:

Overload conditions shall decrease the output voltage. Removal of an output overload shall provide automatic recovery for the output voltage.

##### 11.2.2 Short Circuit Protection: Auto Recovery.



MODEL NO. :	HK-AB-150A200-DH6	PAGE NO. :	4 OF 9
PART NO. :	HKSC-180195	ISSUED DATE:	2018.06.07
DESCRIPTION :	I.T.E. POWER SUPPLY	REV:	(A0)

## 12.0 ENVIRONMENTAL CONDITIONS

The switching power supply can withstand the following environmental conditions:

12.1 Storage Temperature:-20°C ~ +70 °C

Relative Humidity: 10% ~ 95%

12.2 Operation Temperature:0°C~40°C

Relative Humidity: 10%~95%

## 13.0 EMI / EMC

The switching power supply has approved by the following standards:

GB17625.1-2012; GB 9254-2008 CNS 14336-1(99年版)

EN55032:2015 IEC61000-4-3:2006/A1:2007/A2:2010

EN61000-3-2:2014 IEC61000-4-4:2012

EN61000-3-3:2013 IEC61000-4-5:2014

EN55024:2010+A1:2015

IEC61000-4-2:2008 IEC61000-4-6:2013

IEC61000-4-8:2009

IEC61000-4-11:2004

FCC PART 15 Class B

CISPR 32:2015(Ed2.0) AS/NZS CISPR 32:2015;

CISPR 24:2010+A1:2015(Ed2.1)

## 14.0 RELIABILITY AND QUALITY CONTROL

### 14.1 Burn-in

The burn-in test will be performed at least 2 hours at 40 centigrade degrees under full load condition.

### 14.2 MTBF

When the operation is complying with this specification, the switching power supply's MTBF will be 100,000 hours at 25 centigrade degrees.

## 15.0 SAFETY

The switching power supply has approved by the following safety standards:

UL 60950-1, 2nd Edition,2014-10-14 CSA C22.2 NO.60950-1-07, 2nd Edition,2014-10

EN60950-1:2006+A11+A1+A12+A2

BS EN60950-1:2006+A11+A1+A12+A2

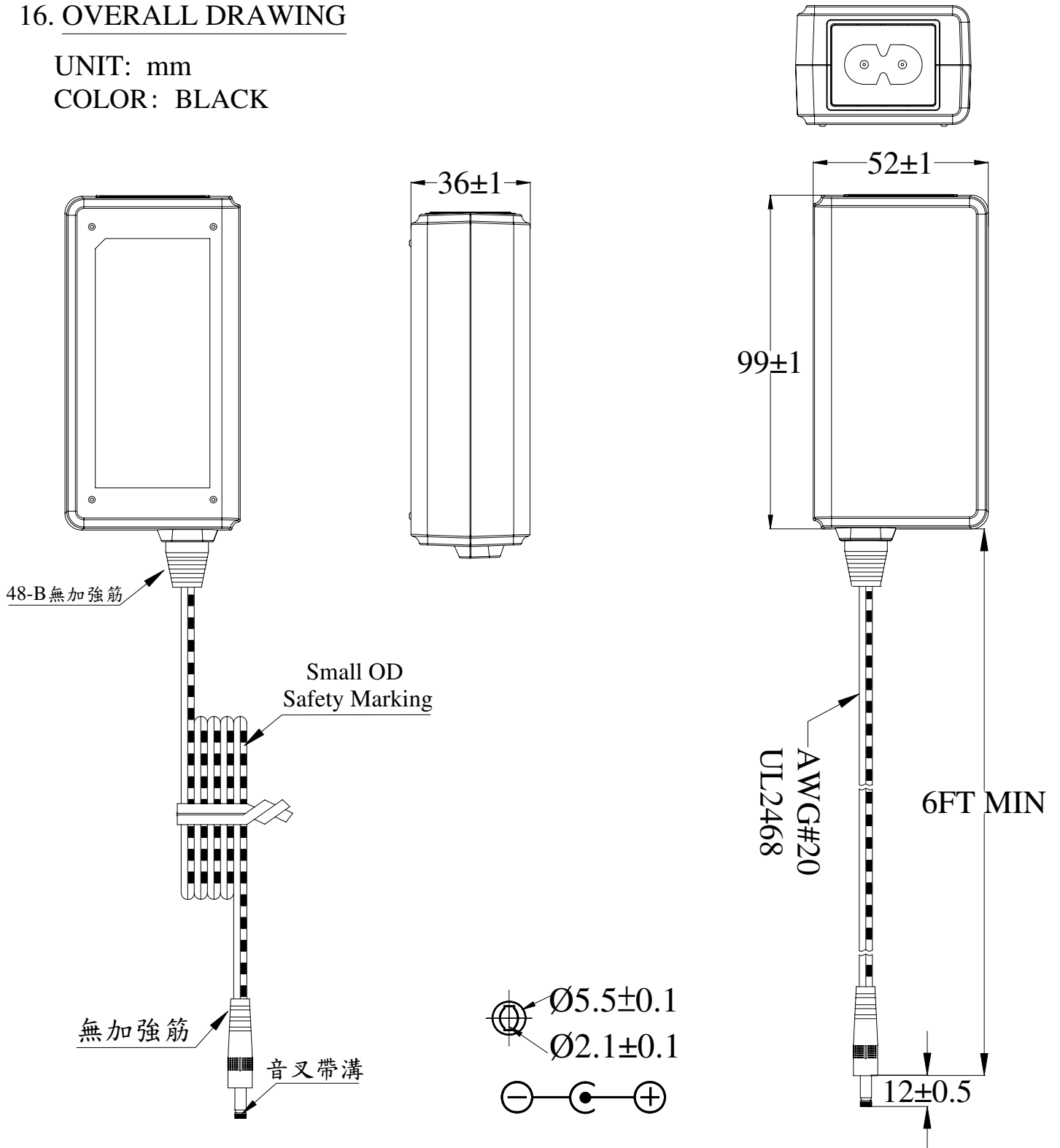
AS/NZS 60950.1:2015 GB4943.1-2011 CNS 13438 (95年完整版)



MODEL NO. :	HK-AB-150A200-DH6	PAGE NO. :	5 OF 9
PART NO. :	HKSC-180195	ISSUED DATE:	2018.06.07
DESCRIPTION :	I.T.E. POWER SUPPLY	REV:	(A0)

16. OVERALL DRAWING

UNIT: mm  
COLOR: BLACK





MODEL NO. :	HK-AB-150A200-DH6	PAGE NO. :	6 OF 9
PART NO. :	HKSC-180195	ISSUED DATE:	2018.06.07
DESCRIPTION :	I.T.E. POWER SUPPLY	REV:	(A0)

## 17. PACKING

### 17.1 Inner Box

UNIT: mm

BOX(  Normal BOX  Corrugated BOX)

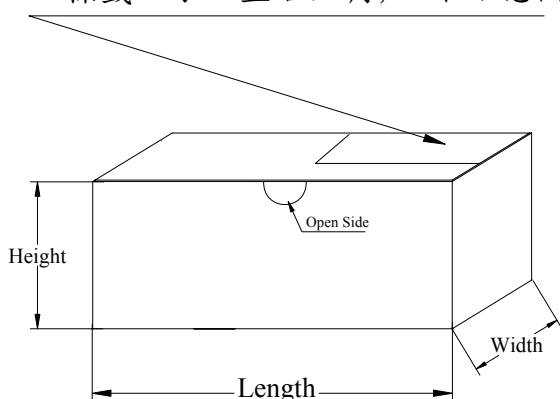
Length: 120

Width: 60

Height: 52



標籤貼于白盒右上角, 如下示意圖:



R2.5

注:

1. 標籤顏色紅色部份色號為: Pantone 485C, 黑色部份色號為: Black;
2. 175-2785為客戶RS編號及條碼掃描內容, 字高為4mm min, 條碼為EAN128 format;
3. 25HK-AB-150A200-DH6-RS為客戶料號, 字高為2.7mm min;
4. Made in China字高為2.7mm min;
5. 1為出貨批次, 第一批為1, 第二批為2, 以此類推;
6. YY/WW為週期, Year/Week.

#### NOTICE:

Its probably different from the white box of the sample and the figure dimension. The white box is used to pack during product.

注意: 樣品使用的小白盒尺寸可能與此圖面尺寸不同, 此圖面尺寸是用于生產時的包裝。



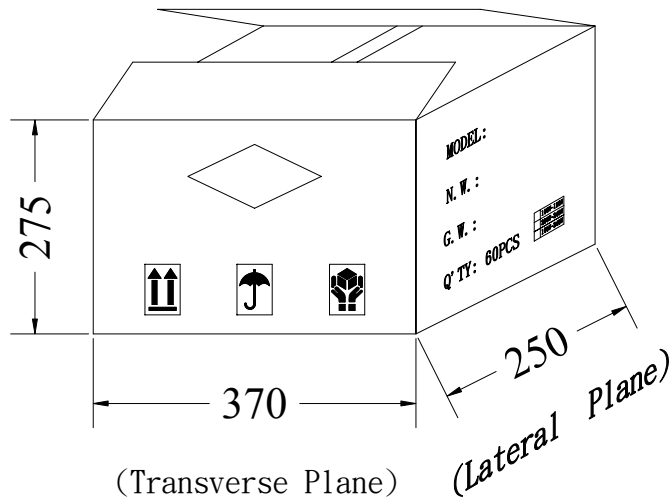
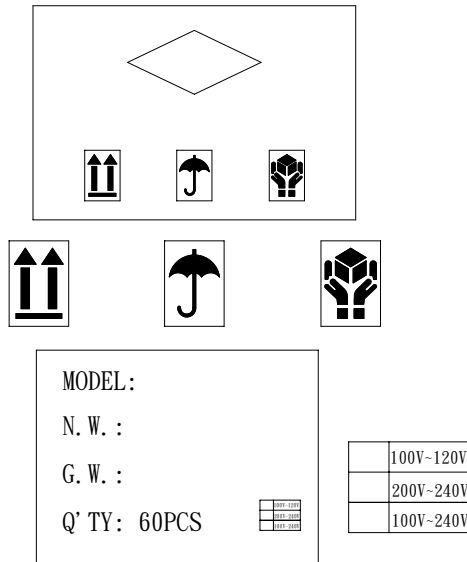


MODEL NO. :	HK-AB-150A200-DH6	PAGE NO. :	7 OF 9
PART NO. :	HKSC-180195	ISSUED DATE:	2018.06.07
DESCRIPTION :	I.T.E. POWER SUPPLY	REV:	(A0)

## 17. PACKING

### 17.2 Carton

UNIT: mm





MODEL NO. :	HK-AB-150A200-DH6	PAGE NO. :	8 OF 9
PART NO. :	HKSC-180195	ISSUED DATE:	2018.06.07
DESCRIPTION :	I.T.E. POWER SUPPLY	REV:	(A0)

### 18. MARKING

100# CPC 壓花底+上光 NAME-PLATE:WHITE CHARACTERS BLACK BACKGROUND.

UNIT: mm M M Y Y C      제조년월: XX년 XX월  
 month                      year                      生産日期    XX年    XX月  
 made in China  
 by Hon-kwang

