



EN

Datasheet

RS PRO NYLON-INSULATED CORD END

TERMINALS

Stock number: 178-7330

MAXIMUM ELECTRIC CURRENT:

A.W.G.	8
AMP.	70

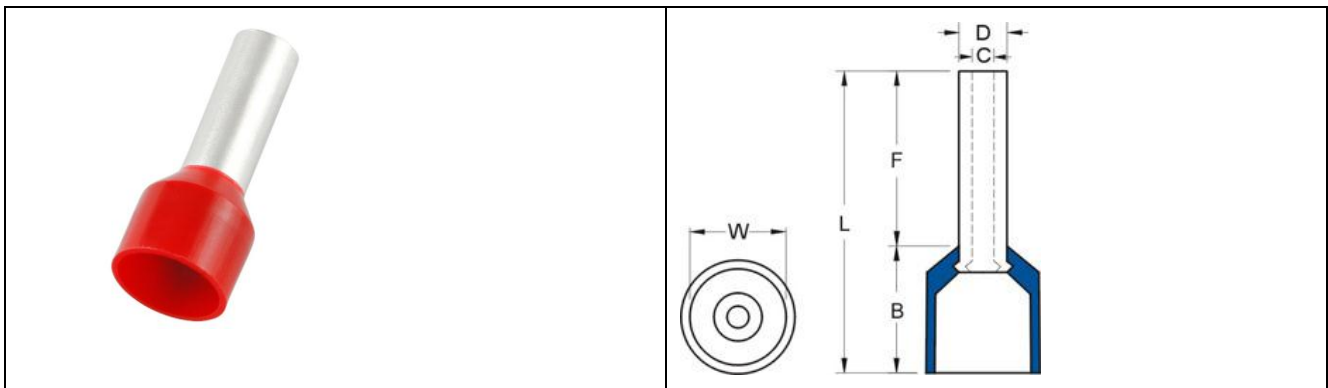
MAXIMUM ELECTRICAL RATING: 105° C 600 VOLTS MAX.

INSULATION MATERIAL: NYLON

TERMINAL MATERIAL: COPPER TUBE

SURFACE TREATMENT: TIN PLATE

INSULATION COLOR: RED



WIRE RANGE A.W.G. mm ²	ITEM NO.	DIMENSION inch(mm)					
		F	L	W	B	D	C
8 A.W.G.	178-7330	0.709	1.102	0.299	0.346	0.193	0.177
10 mm ²		18	28	7.6	8.8	4.900	4.5