



175720.00

DC DRIVE-4Q SCR-NEMA 4X

The LEESON® 175720.00 drive is a full-wave, four-quadrant regenerative SCR drive that provides smooth motoring and braking torque for brush-type DC motors from 1/8 through 2 HP, for a single or bi-directional variable speed, without using mechanical contactors. Slide switches allow the 175720.00 drive to accept either a 115 or 230 VAC input to run 90 or 180 VDC motors. The tach feedback mode virtually guarantees constant set speed under varying load. Applications with overhauling loads, rapid deceleration, basic positioning and high duty cycle reversing and braking benefit from this versatile regenerative drive.

FEATURES

NEMA 4X - Water resistant and dust proof enclosure.

Fully Regenerative - 4-quadrant drives allow for quick and contactorless braking and/or reversing on-the-fly.

Field Supply - Voltage output to energize the field winding of a shunt-wound motor.

Stopping Modes - Inhibit (N.O.) for braking, Regen Brake (N.O.) for decelerating, and Enable (N.O.) for coasting to a stop. Can be used for frequent starting and stopping.

Tach Feedback - Accepts tachogenerator feedback for tighter speed regulation.

Line Fusing - Includes two on-board fuses.

Case LEDs - Power

Pre-Wired Switches - Power (ON/OFF), Run & Direction (FORWARD/ BRAKE/REVERSE)

175720.00 DC DRIVE-4Q SCR-NEMA 4X

SPECIFICATIONS

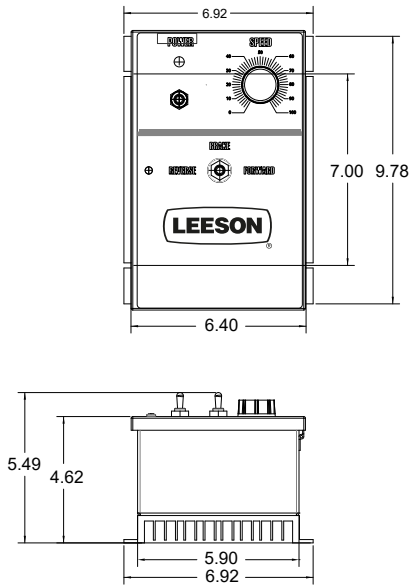
- AC Line Voltage: 115 / 230 VAC, $\pm 10\%$, 50/60 Hz, 1 \emptyset
- Field Voltage **with 115 VAC Line (230 VAC Line):**
50/100 (100/200) VDC
- Maximum Field Amperage: 1 Amp
- Acceleration Time Range: 0.5 - 15 seconds
- Deceleration Time Range: 0.5 - 15 seconds
- Analog Signal Range: 0 \pm 10 VDC
- Input Impedance (RB1/S0 to S2): 32K Ω
- Form Factor: 1.37 at base speed
- Tachogenerator Feedback Range: 0 to 7 - 50 VDC / 1000 RPM
- Load Regulation Armature Feedback: 1% of base speed or better
- Tach Feedback: 0.1% of base speed or better
- Speed Range: 60:1
- Ambient Temperature Range: 10°C - 40°C

ORDERING INFO

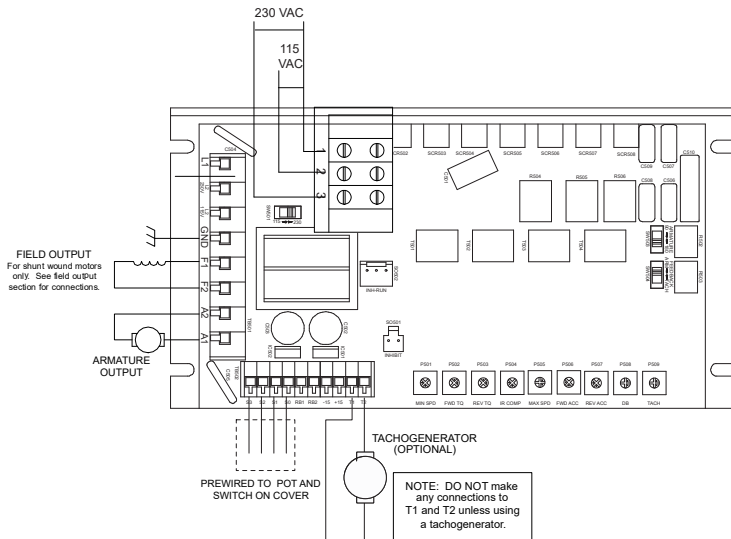
MODEL #	ENCLOSURE	MAXIMUM CURRENT (ADC)	INPUT VOLTAGE (VAC)	OUTPUT VOLTAGE (VDC)	POWER RANGE		FIELD/ SHUNT SUPPLY (VDC)	BRAKING	REVERSING	ISOLATION
					HP	KW				
175720.00	NEMA 4X	10	115	0-90	1/8-1	.09-.75	YES	YES Regenerative	YES Regenerative	NO
			230	0-90	1/8-1	.09-.75				
				0-180	1/4-2	.19-1.5				

175720.00 DC DRIVE-4Q SCR-NEMA 4X

DIMENSIONAL DRAWINGS — INCHES [MILLIMETERS]



WIRING



TRIM POTS

- Forward Acceleration
- IR Compensation
- Forward Current Limit
- Reverse Acceleration
- Maximum Speed Reverse
- Current Limit Deadband
- Minimum Speed
- Tach Feedback

ACCESSORIES

- 900282.01:** Inhibit Plug with 18" wire leads

GROWTH IS MUTUAL.

It's the result of decisions well made, and commitments perfectly executed. When we do things right, your growth is impacted as well. From solutions that save energy and money, to robust systems that keep you up and running, we'll anticipate your needs and deliver beyond your expectations. See what deep roots, a strong core product line, talented teams and a commitment to excellence can do for you. We invite you to grow with Regal.



Regal Beloit America, Inc.

1051 Cheyenne Avenue

Grafton, WI 53024

Customer Service: 262-377-8810

Fax: 262-377-9025

www.regalbeloit.com

APPLICATION CONSIDERATIONS

The proper selection and application of power transmission products and components, including the related area of product safety, is the responsibility of the customer. Operating and performance requirements and potential associated issues will vary appreciably depending upon the use and application of such products and components. The scope of the technical and application information included in this publication is necessarily limited. Unusual operating environments and conditions, lubrication requirements, loading supports, and other factors can materially affect the application and operating results of the products and components and the customer should carefully review its requirements. Any technical advice or review furnished by Regal Beloit America, Inc. and/or its affiliates ("Regal") with respect to the use of products and components is given in good faith and without charge, and Regal assumes no obligation or liability for the advice given, or results obtained, all such advice and review being given and accepted at customer's risk.

For a copy of our Standard Terms and Conditions of Sale, please visit <http://www.regalbeloit.com> (please see link at bottom of page to "Standard Terms and Conditions of Sale"). These terms and conditions of sale, disclaimers and limitations of liability apply to any person who may buy, acquire or use a Regal product referred to herein, including any person who buys from a licensed distributor of these branded products.

Regal and Leeson are trademarks of Regal Beloit Corporation or one of its affiliated companies.

©2018 Regal Beloit Corporation, All Rights Reserved. MCSSP18035E • Form# L0036E

