

# Type 78

## High Flow Air Regulator Series



**Type 78**  
Pressure Regulator Series

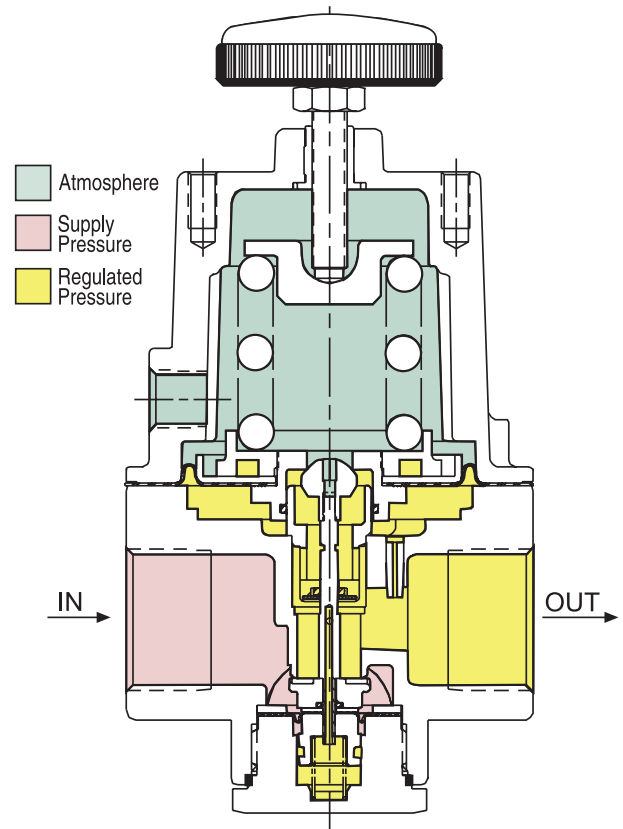
### Features

- Bellofram Rolling Diaphragm Provides Low-Friction, Long Life Service
- Available in 3/8, 1/2, 3/4, and 1 NPT and BSPT
- Output Gauge Ports are 1/4 NPT
- Options: Low-bleed, Non-relieving, Tamper Resistant Cover, Square-head Adjustment, T-handle Adjustment, Epoxy Paint, Tapped Supply Gauge Port, and Tapped Exhaust
- Mounting Brackets and Repair Kits Available
- Output Ranges are 0-2, 0-10, 0-30, 0-60, 0-125 PSIG 0-0.1, 0-0.7, 0-2.1, 0-4.1, 0-8.6 BAR
- Maximum Supply Pressure is Rated at 400 PSIG / 27.6 BAR
- Flow rates of well over 200 SCFM

### Description

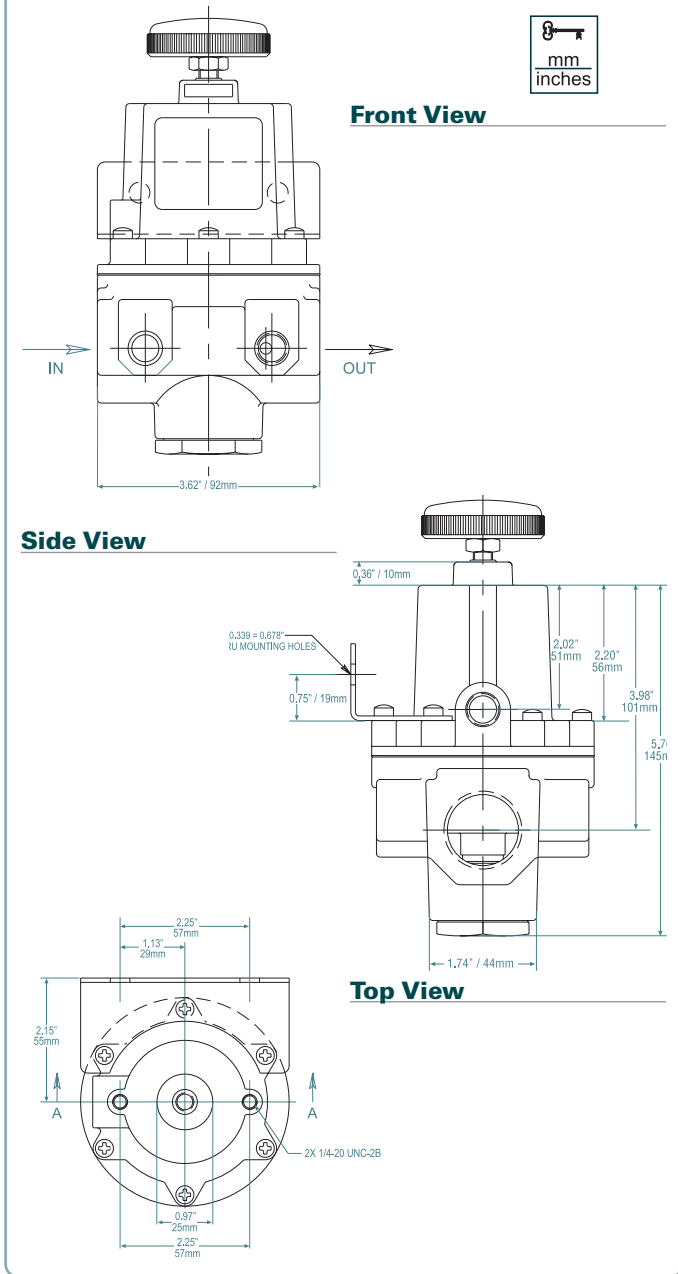
The Type 78 regulator is specifically designed for applications that require large flow capability and accurate pressure control. This regulator offers low droop, high accuracy, and fine adjustment sensitivity. The use of a Bellofram rolling diaphragm provides greater sensitivity and improved accuracy. The Type 78 offers a balanced pintle, which minimizes output pressure changes caused by fluctuations in supply pressure. Careful design and quality materials throughout assure long, trouble-free operation. The rugged die-cast zinc and aluminum housings are pressure tested to assure safe operation, and are designed to withstand harsh and abusive environments. This durability is attributed to a chemical conversion coating of all cast components and a vinyl paint finish.

With a maximum supply pressure of up to 400 PSIG/27.6 BAR and output ranges up to 125 PSIG/8.6 BAR, the Type 78 can achieve flow rates of well over 200 SCFM. It can be panel or pipe mounted.



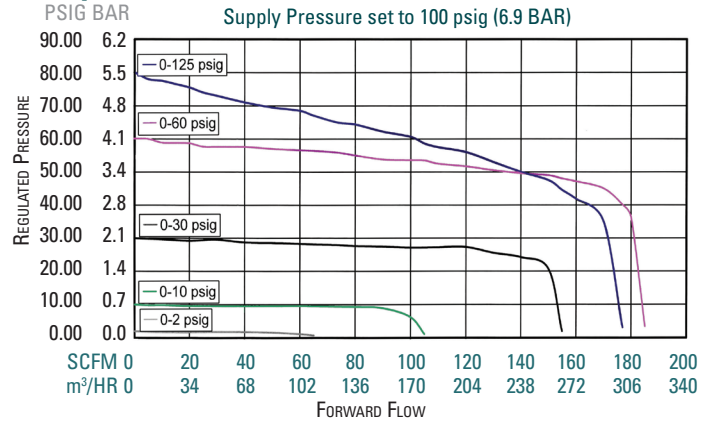
	Type 78
Sensitivity	Less than 1" water column
Flow Capacity	See Performance Curves
Exhaust Capacity	14 SCFM at 5 PSIG / 0.3 BAR above 20 PSIG / 1.4 BAR set point (0-30 PSIG / 0-2.1 BAR range unit)
Air Consumption	less than 12 SCFH at 125 PSIG / 8.6 BAR output pressure
Effect of Supply Pressure on Regulated Pressure	less than $\pm 0.35$ PSIG / 0.02 BAR for a supply variation of 100 PSIG / 6.9 BAR
Supply Pressure Max	400 PSIG / 27.6 BAR
Weight	Approx. 5 lbs.
Materials of Construction	Body: Die Cast Zinc Bonnet: Die Cast Aluminum Alloy Knob: Phenolic Plastic, Plated Steel Diaphragms: Nitrile Elastomers with Dacron Fabric Other Internal Materials: Brass, Stainless Steel, and Zinc
Mounting Options	Pipe or Panel
Temperature Rating	-40°F (-40°C) to 200°F (93°C)

## Type 78 Dimensional Drawing

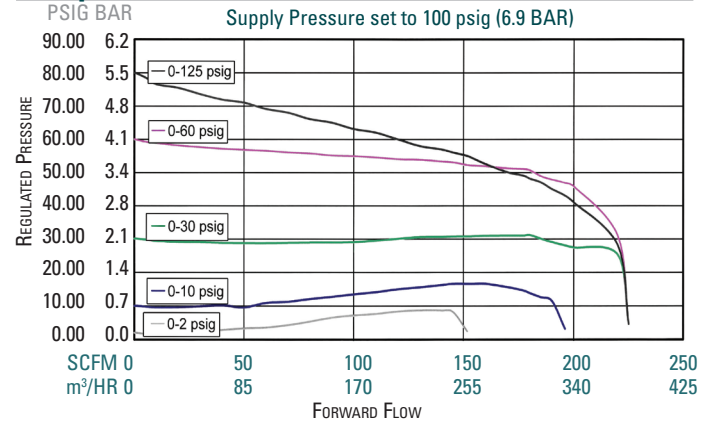


## Type 78 Typical Performance Curves

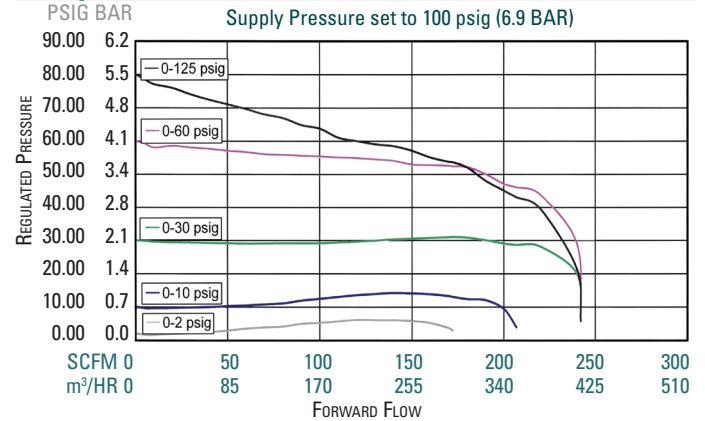
### Droop Curve 3/8 NPT



### Droop Curve 1/2 NPT



### Droop Curve 3/4 NPT



### Droop Curve 1 NPT

