

# Type 1000

## I/P & E/P Transducers

### Description

The Type 1000 Transducer is an electro-pneumatic device that reduces a supply pressure to a regulated output pressure directly proportional to an electrical input signal. The Type 1000 accepts a wide range of supply pressures, ranging from a minimum of 3 psig (0.2 BAR) above the maximum output up to 100 PSIG (6.9 BAR). An integral pneumatic volume booster is included in the design to provide high flow capacity (up to 12 SCFM/339 SLPM).

### Applications

The Type 1000 Transducer converts an electrical signal to a pneumatic output which can be used to operate the following:

- Valve actuators
- Damper and louver actuators
- Valve positioners
- Controllers
- Relays
- Air cylinders
- Clutches and brakes

### Used in:

- Liquid, gas and slurry processing instrumentation
- HVAC systems
- Paper handling controls
- Textile processing systems
- Energy management systems
- Petrochemical processing systems

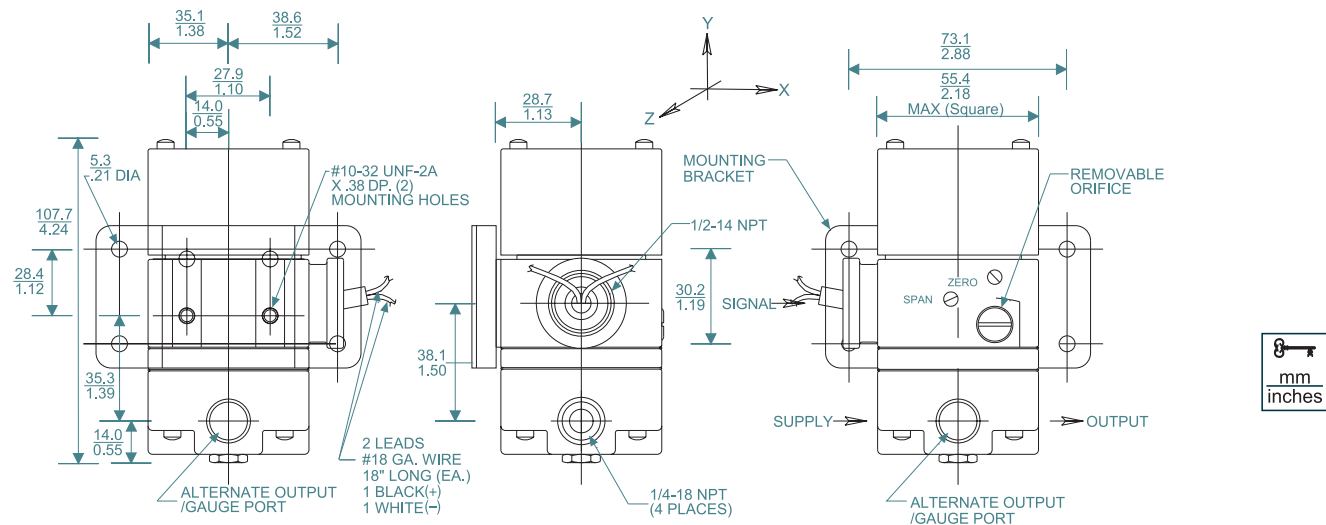
### Standard Features

- Low Cost
- Built-in Volume Booster
- Small Size
- Field Reversible
- Low Air Consumption
- Mounts at Any Angle
- Convenient External Span & Zero Adjusts
- Light Weight
- Wide Supply Pressure Range
- Low Supply Pressure Sensitivity

### Filter Note

Bellofram specifies the use of instrument quality air (clean, dry, oil-free) for all transducers. The use of filters in the supply air system is highly recommended. Contact us for information on our filters and filter regulators.

### Type 1000 Dimensional Drawing



## Type 1000 Transducers

### Type 1000 Transducers

Type 1000 Transducers		Type 1000 General Purpose
Supply Pressure Range		3 PSIG (0.2 BAR) above max. output to 100 psig (7 BAR) 50 PSIG Max. for 1-17 PSIG models
Supply Pressure Sensitivity		±0.15% of span per 1.5 PSIG (0.1 BAR)
Linearity (terminal based)		<1.0% of span
Repeatability		<0.5% of span
Hysteresis		<1.0% of span
Minimum Flow Rate at Midrange 100 PSIG / 7 BAR		12 SCFM (339 SLPM) (4.5 SCFM for 1-17 psi model)
Exhaust Capacity @ 5 psig (0.4 BAR) above setpoint		2 SCFM (56.5 SLPM)
Air Consumption (max) at Midrange		0.1 SCFM (2.8 SLPM)
Port Size (pneumatic / electric)		1/4 NPT and 1/2 NPT
Size	inches	2-1/8 X 2-1/8 X 4
	mm	54 X 54 X 101
Weight		2.1 lb. / 0.95 Kg

