

M12 male 90° / male 90° shielded X-cod. Gigabit

TPE 4x2x26AWG SF/UTP CAT6a bu UL/CSA, CMR 3m

Ethernet CAT6A

The resistance to aggressive media should be individually tested for your application. Further details on request.

Male 90° – male 90°

M12 – M12, 8-pole

X-coded

shielded

without cable sleeves

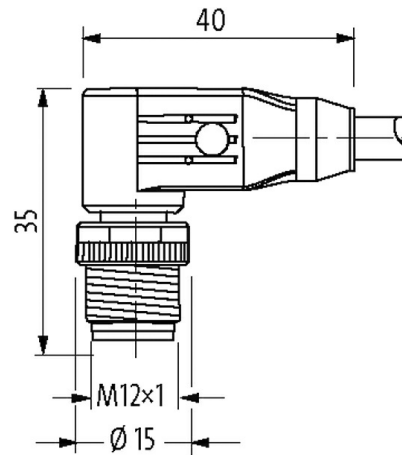
Transmission properties with channel transmission up to 50 m

Further cable lengths on request.

Plastic housings with good resistance against chemicals and oils.

[Link to Product](#)

Illustration



1	white/orange	1
2	orange	2
3	white/green	3
4	green	4
5	white/brown	5
6	brown	6
7	white/blue	7
8	blue	8
shield		

Product may differ from Image

Approvals



* only for products with UL/CSA approved cable

More Info



Form

Form

51021

General data

Standards	DIN EN 61076-2-109 (M12)
Mounting method	inserted, tightened
Pollution Degree	3
Temperature range	-25...+85 °C, depending on cable quality

Technical Data

Operating voltage	max. 50 V AC/60 V DC
Operating voltage (only UL listed)	30 V AC/DC
Rated surge voltage	1.5 kV
Operating current per contact	max. 0.5 A
Material group	IEC 60664-1, category I
No. of poles	8
Transfer parameters	CAT6, Class EA (ISO/IEC 11801:2002), (EN 50173-1)
Transfer rate	10 Gbit/s
Coding	X-coded
LED display	no
Locking of ports	Screw thread (M12×1 mm) recommended torque 0.6 Nm, self-securing
Compression gland	M12 (SW13)
Protection	IP67 inserted and tightened (EN 60529)
Locking material	Zinc die casting, matte nickel plated
Material	PUR
suitable for corrugated tube (internal Ø)	without

Cables

Cable number	S4X
No./diameter of wires	4× 2× 0.14 mm ²
Wire isolation	HDPE (whbl, bl, whor, or, whgn, gn, whbr, br)
C-track properties	1 Mio.
Jacket Color	blue
Material (jacket)	TPE (UL/CSA)
Outer Ø	7.4 mm ±5%
Bend radius (moving)	10× outer Ø
Temperature range (fixed)	-40...+80 °C
Temperature range (mobile)	-20...+80 °C
Cable identification	S4X
Approval (cable)	UL (AWM-Style 2463/11547), CSA
Cable weight [g/m]	65,48
Material (wire)	Cu wire, tin plated
Resistor (core)	max. 140 Ohm/km
Single wire Ø (core)	0.16 mm
Construction (core)	7× 0.16 mm
Diameter (core)	4× 2× 0.14 mm ²
Material (wire isolation)	HDPE
Wire-Ø incl. isolation	0.9 mm ±5%
Color/numbering of wires	(wh-bl, bl) + (wh-or, or) + (wh-gn, gn) + (wh-br, br)
Shield	yes
optical shield cover	min. 75%
Material (jacket)	TPE
Outer-Ø (jacket)	7.4 mm ±5%
thermal resistance	flame retardant

Nominal voltage	600 V
Test voltage	max. 1.5 kV AC (2s)
Temperature range (fixed)	-40...+80 °C
Temperature range (mobile)	-20...+80 °C
Bend radius (fixed)	5× outer Ø
Bend radius (moving)	10× outer Ø
No. of bending cycles (C-track)	max. 10 Mio. (25 °C)
Traversing distance (C-track)	max. 0.6 m
Travel speed (C-track)	max. 1.2 m/s
Acceleration (C-track)	max. 2.4 m/s ²
No. of torsion cycles	max. 3 Mio. (25 °C)
Torsion speed	60 cycles/min
	max. 1000 mOhm/m @ 100 MHz
	max. 280 Ohm/km
	100 Ohm @ 100 MHz

Commercial data

country of origin	DE
customs tariff number	85444290
EAN	4048879699778
eClass	27279221
Packaging unit	1