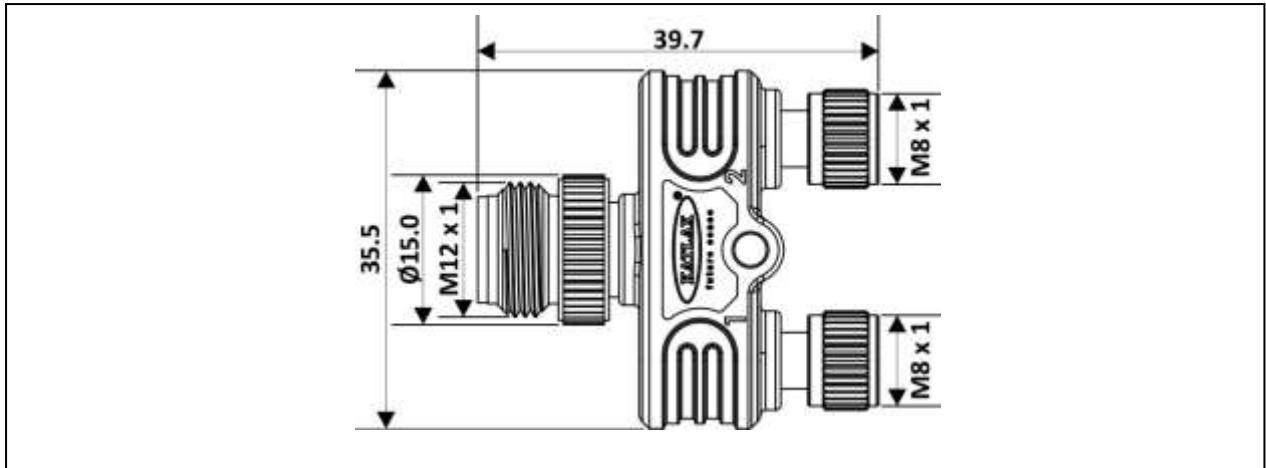


Datasheet
RS PRO M12x1 to M8x1, Y-Splitter, 4/3

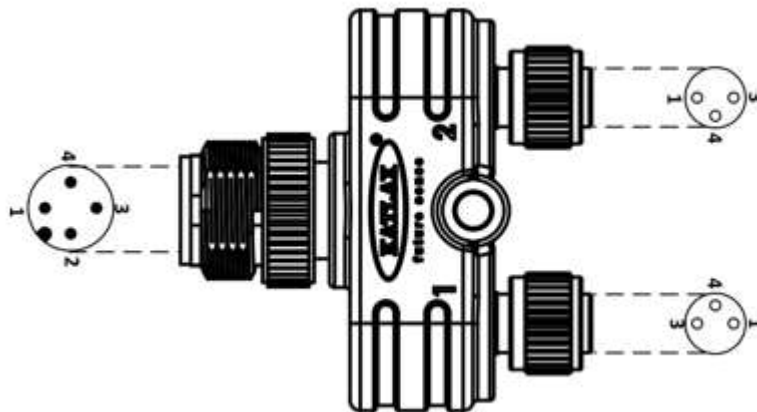
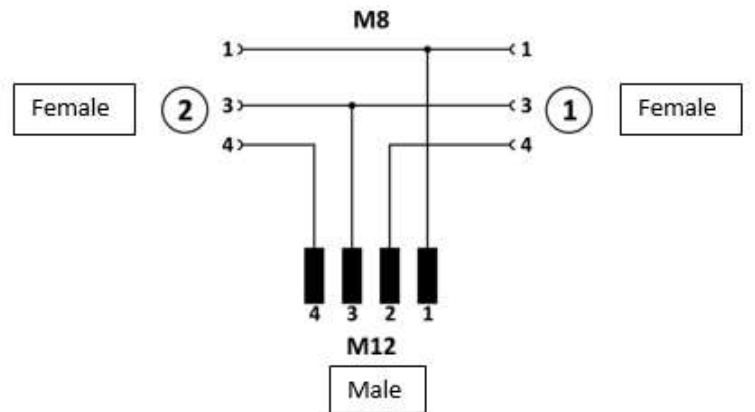
Part No: 2017235


Technical Specifications:

	I/P	1	2
Connector	M12, Male	M8, Female	M8, Female
Rated Voltage	60V	60V	60V
Coding	A	A	A
Number of pins	4	3	3
Current (at 40°C)	4A	4A	4A
Contact material	CuZn, Ni/Au (Gold Flash)	CuZn, Ni/Au (Gold Flash)	CuZn, Ni/Au (Gold Flash)
Contact carrier material	Nylon 66	Nylon 66	Nylon 66
Coupling nut material	CuZn, nickel plated	CuZn, nickel plated	CuZn, nickel plated
Insulation resistance	≥10 ⁸ Ω		
Ambient temperature	-25°C...+85°C		
Sealing material	Neoprene		
Grip body material	TPU, Black		
Shielding	No		
Mechanical life-cycle	>100 mating cycles		
Degree of protection	IP67		
Degree of pollution	3		



Electrical Diagram:



Quality Standard: IEC 61076-2-101(M12) / IEC 61076-2-104(M8)



Type Approved
Safety
Regular Production
Surveillance



www.tuv.com
ID 1111210482



Type Approved
Safety
Regular Production
Surveillance



www.tuv.com
ID 1111210483

