

M12 MALE D CODED 90° SELF-WIREABLE SCREW-TERM.

Shielded 6..8 mm

Ethernet CAT5

Male 90°

M12, 4-pole

D-coded

shielded

Screw terminals

Sealing range (cable Ø): 6...8 mm

[Link to Product](#)**Illustration**

Product may differ from Image

More Info

 EtherCAT


 Ethernet/IP™


 PROFINET®
Form

Form 14581

General data

Temperature range -40...+85 °C

Technical Data

Operating voltage max. 250 V AC/DC

Operating current per contact max. 4 A

Transfer parameters CAT5, Class D (ISO/IEC 11801:2002), (EN 50173-1)

Transfer rate up to 100 Mbit/s full duplex

Connection cross section max. 0.75 mm²

Coding M12, D-coded

Sealing range (cable Ø) 6...8 mm

Protection IP67 inserted and tightened (EN 60529)

Locking material Zinc die casting, matte nickel plated

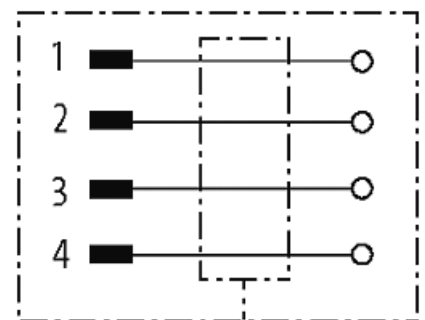
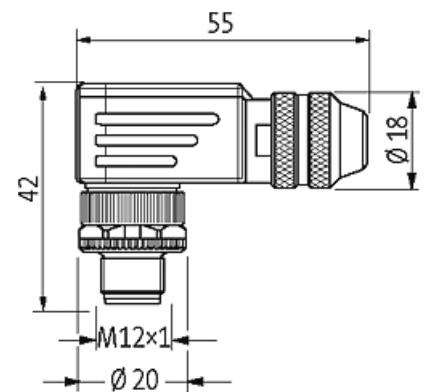
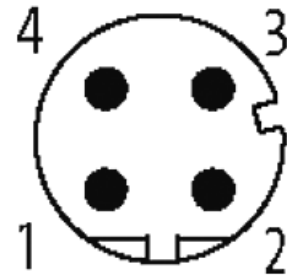
Commercial data

country of origin DE

customs tariff number	85366990
EAN	4048879282895
eClass	27279221
Packaging unit	1

Sketch

Male



Product may differ from Image