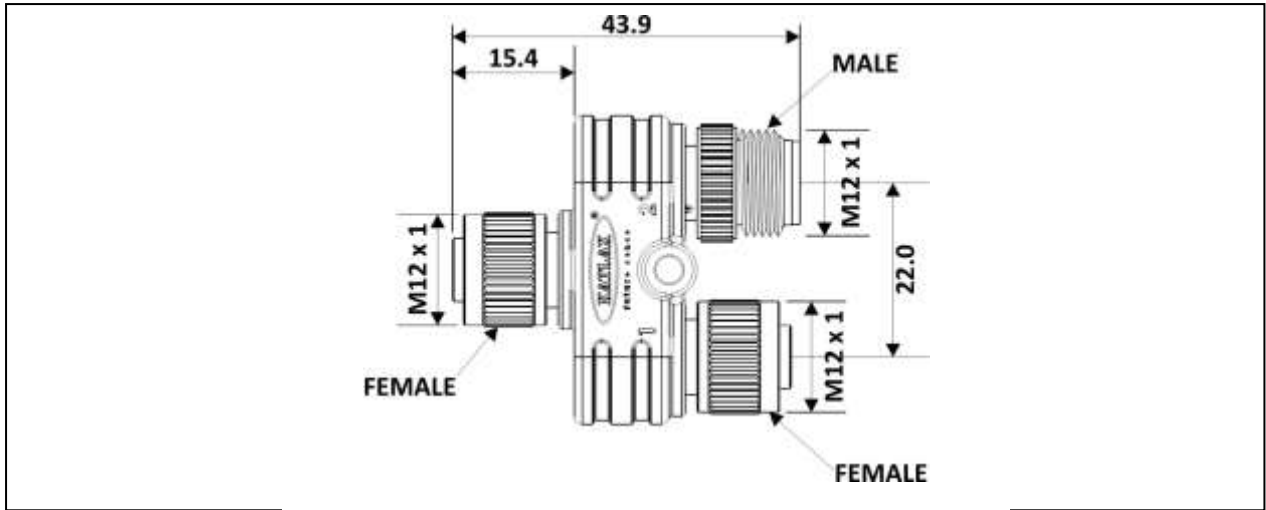


Datasheet
RS PRO M12x1, Y-Splitter, 5/5

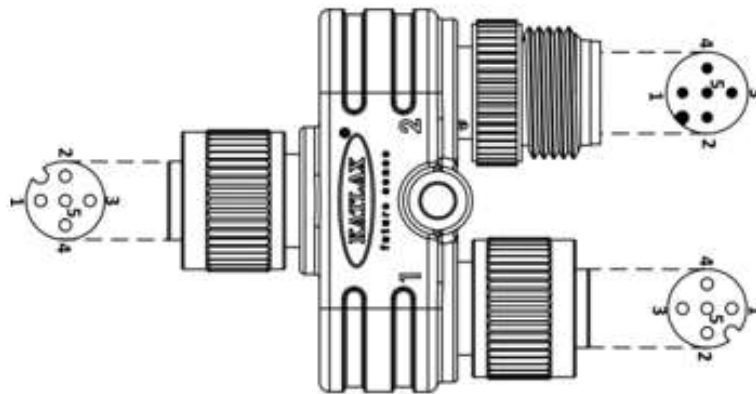
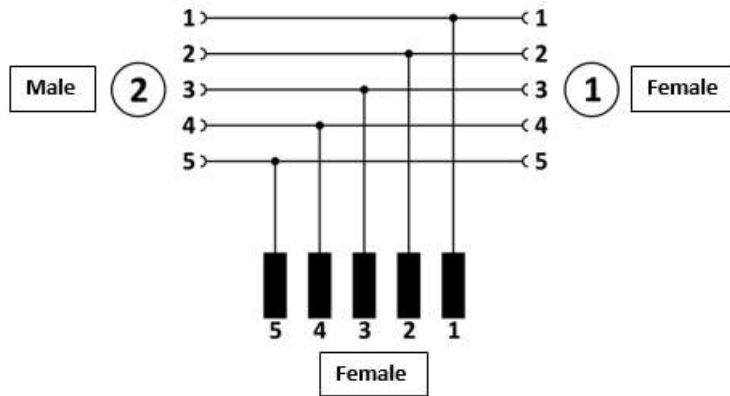
Part No: 2017234


Technical Specifications:

	I/P	1	2
Connector	M12, Female	M12, Female	M12, Male
Rated Voltage	60V	60V	60V
Coding	A	A	A
Number of pins	5	5	5
Current (at 40°C)	4A	4A	4A
Contact material	CuZn, Ni/Au (Gold Flash)	CuZn, Ni/Au (Gold Flash)	CuZn, Ni/Au (Gold Flash)
Contact carrier material	Nylon 66	Nylon 66	Nylon 66
Coupling nut material	CuZn, nickel plated	CuZn, nickel plated	CuZn, nickel plated
Insulation resistance	≥10 ⁸ Ω		
Ambient temperature	-25°C...+85°C		
Sealing material	Neoprene		
Grip body material	TPU, Black		
Shielding	No		
Mechanical life-cycle	>100 mating cycles		
Degree of protection	IP67		
Degree of pollution	3		



Electrical Diagram:



Quality Standard: IEC 61076-2-101



Type Approved
 Safety
 Regular Production
 Surveillance
 www.tuv.com
 ID 1111210483

