



Advantek III - Ultra II

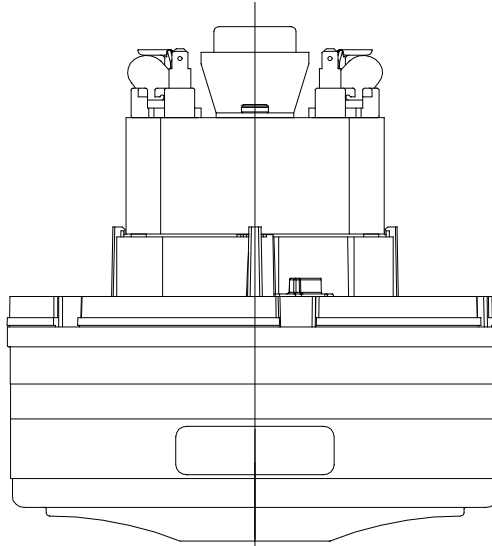


DESCRIPTION

- Two stage
- 120 volts
- 5.7"/145 mm diameter
- Double ball bearings
- Single speed
- Thru-flow discharge
- Thermoset fan end bracket
- Stamped steel end bracket

DESIGN APPLICATION

- Equipment operating in environments not requiring separation of working air from motor ventilating air
- Designed to handle clean, dry, filtered air only

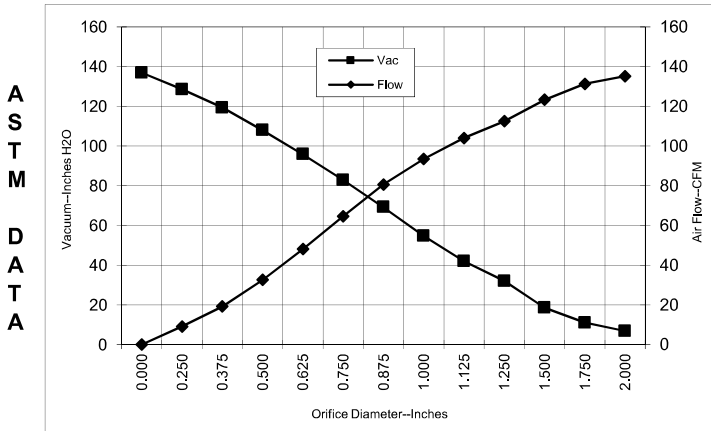


SPECIAL FEATURES

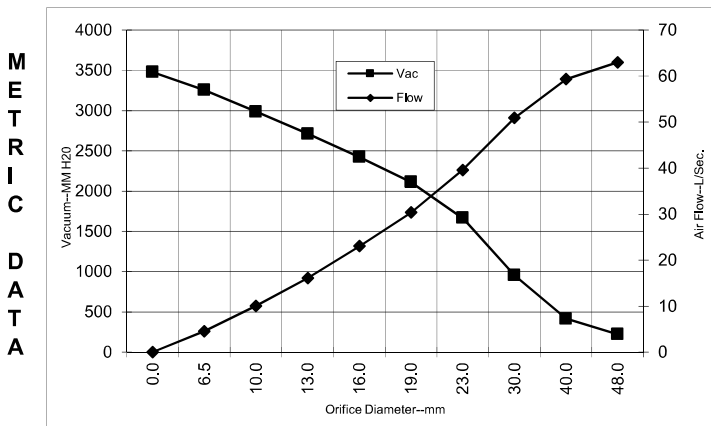
- Patented Advantek II diffusion
- 3" Commercial Lamination
- Dual Tapered fan system
- Provision for grounding
- Top end mounting boss
- Thermal Device
- UL recognized, category PRGY2 (E47185)
- Suitable for 120 volt AC operation, 50 or 60 Hz
- The Lamb vacuum motor line offers a wide range of performance levels to meet design needs

TYPICAL MOTOR PERFORMANCE.*

(At 120 volts, 60Hz, test data is corrected to standard conditions of 29.92 Hg, 68° F.)



Orifice (Inches)	Amps	Watts (In)	RPM	Vac (In.H2O)	Flow (CFM)	Air Watts
2.000	14.4	1642	24349	6.8	135.2	108
1.750	14.4	1640	24366	11.1	131.3	171
1.500	14.3	1635	24416	18.5	123.3	268
1.250	14.2	1619	24515	32.0	112.4	422
1.125	14.0	1605	24568	42.0	104.0	513
1.000	13.8	1578	24694	54.7	93.5	601
0.875	13.4	1540	24910	69.2	80.6	655
0.750	12.7	1459	25579	82.9	64.6	628
0.625	11.7	1351	26533	95.9	48.1	541
0.500	10.6	1230	27889	107.9	32.6	413
0.375	9.4	1096	29568	119.3	19.2	269
0.250	8.4	984	30936	128.6	9.1	138
0.000	7.8	911	32443	136.9	0.0	0



Orifice (mm)	Amps	Watts (In)	RPM	Vac (mm H2O)	Flow (L/Sec)	Air Watts
48.0	14.4	1641	24356	221	63.0	136
40.0	14.3	1637	24401	414	59.3	239
30.0	14.1	1612	24544	953	50.9	472
23.0	13.5	1549	24856	1666	39.6	641
19.0	12.7	1457	25598	2112	30.3	627
16.0	11.7	1355	26495	2422	23.0	545
13.0	10.7	1242	27753	2711	16.1	426
10.0	9.6	1116	29316	2987	10.0	290
6.5	8.5	990	30868	3254	4.6	144
0.0	7.8	911	32443	3478	0.0	0

Note: Metric Performance data is calculated from the ASTM data above.

* Data represents performance of a typical motor sampled from a large production quantity. Individual motor data may vary due to normal manufacturing variations.

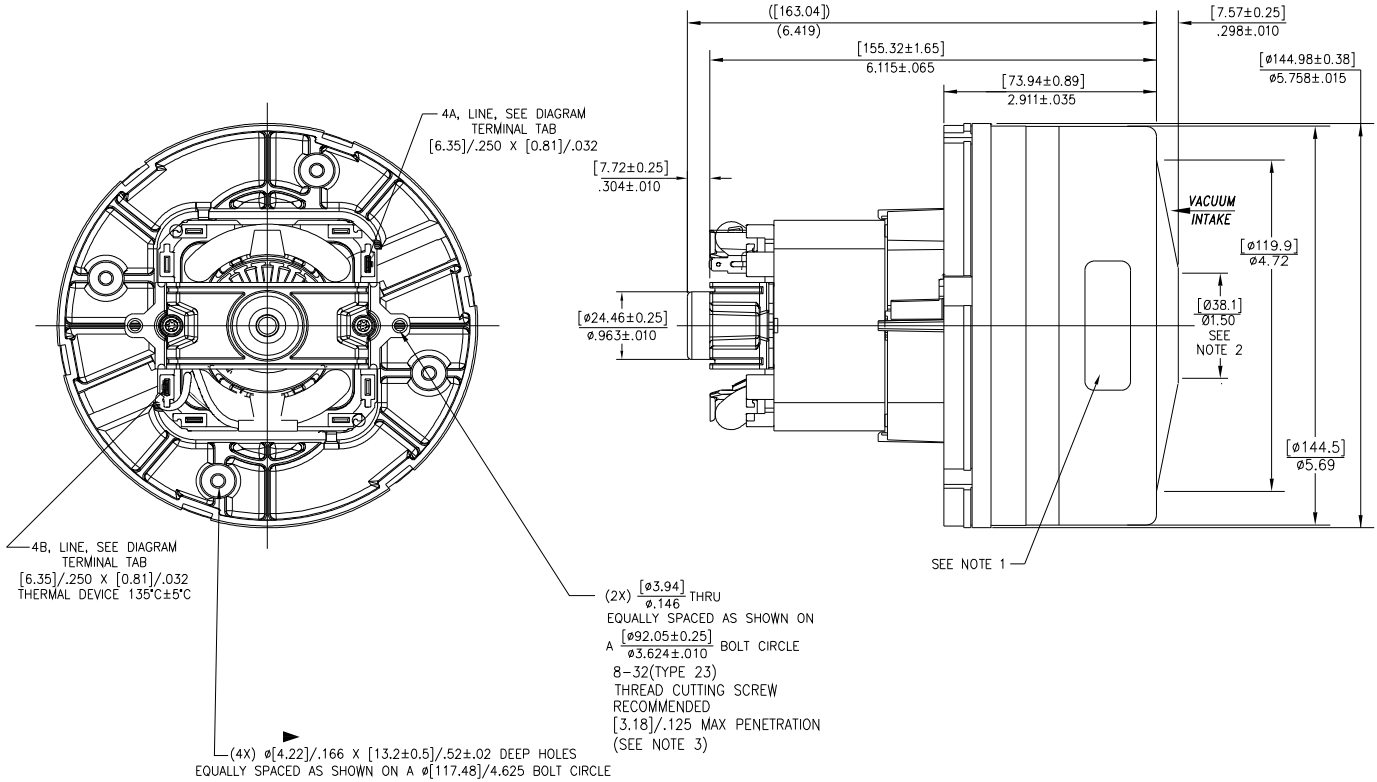
Test Specs:	120 volts	Minimum Sealed Vacuum:	130.0	ORIFICE:	7/8 "	Minimum Vacuum:	61.0	Maximum Watts:	1605
-------------	-----------	------------------------	-------	----------	-------	-----------------	------	----------------	------



DIMENSIONS

NOTES:

1. MODEL NUMBER, DATE OF MANUFACTURE, PLANT LOCATION CODE, AGENCY RECOGNITION CODE, INSPECTOR'S CODE, MANUFACTURER'S NAME, "US PATENT: US 6,703,754 B1", VOLTAGE AND FREQUENCY, "08B ARM, 02F FLD" AND CUSTOMER'S PART NO. TO APPEAR ON MOTOR.
2. MOUNTING MUST NOT RESTRICT THIS DIAMETER.
3. GROUNDING OR EARTHING PROVISIONS: USE HOLES AS INDICATED FOR GROUNDING OR EARTHING. REFER TO APPROPRIATE LISTING OR REGULATORY AGENCY FOR PROPER METHOD OF GROUNDING OR EARTHING.



Advantek III - Ultra II

IMPORTANT NOTE: Pictorial and dimensional data are subject to change without notice. Contact factory for current revision levels.

WARNING - When using AMETEK Floorcare & Specialty Motors (F&SM) bypass motors in machines that come in contact with foam, liquid (including water), or other foreign substances, the machine must be designed and constructed to prevent those substances from reaching the fan system, motor housing, and electrical components. F&SM vacuum motors other than hazardous duty models should not be applied in machines that come in contact with dry chemicals or other volatile materials. Failure to observe these precautions could cause flashing (depending on volatility) or electrical shock which could result in property damage and severe bodily injury, including death in extreme cases. All applications incorporating F&SM motors should be submitted to appropriate organizations or agencies for testing specifically related to the safety of your equipment.

AMETEK/Floorcare & Specialty Motors
www.ametekfsm.com