

## Common features

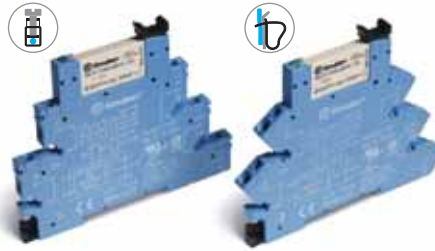
- Instant ejection of relay by plastic retaining clip
- Integral coil indication and protection circuit
- 35 mm rail (EN 60715) mounting

### 6.2 mm wide

- EMR - DC, AC or AC/DC coil versions
- SSR - DC or AC/DC input versions
- Screw and Screwless terminal options

## EMR Electromechanical Relays

### 38.51/38.61

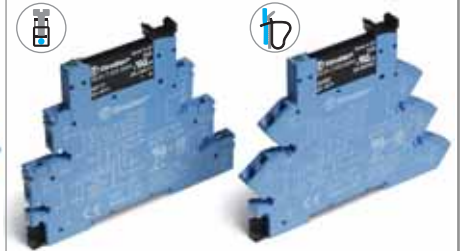


- 1 CO - 6 A 250VAC

Page 1

## SSR Solid State Relays

### 38.81/38.91



- Single solid state output:  
Options 0.1A 48VDC, 2A 24VDC, 2A 240VAC
- Silent, high speed switching
- Long electrical life

Page 2

### 6.2 mm wide

- Special coil / input leakage current suppression types
- EMR - AC or AC/DC coil versions
- SSR - AC or AC/DC input versions
- Screw and Screwless terminal options

### 38.51.3... - 38.61.3...



- 1 CO - 6 A 250VAC

Page 1

### 38.81.3... - 38.91.3...



- Single solid state output:  
Options 0.1A 48VDC, 2A 24VDC, 2A 240VAC
- Silent, high speed switching
- Long electrical life

Page 2

### 6.2 mm wide

- Timed Interface module
- 4 functions & 4 time scales 0.1s ... 6h
- EMR - AC/DC (12 or 24V) supply versions
- SSR - AC/DC (24V) supply
- Screw terminals

### 38.21



- 1 CO - 6 A 250VAC

Page 3

### 38.21...9024-8240



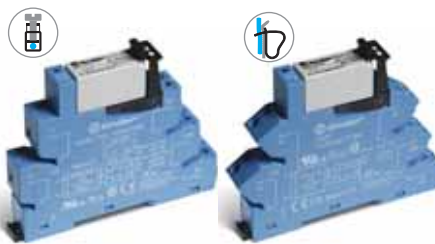
- Single solid state output:  
Options 2A 24VDC, 2A 240VAC
- Silent, high speed switching
- Long electrical life

Page 3

### 14 mm wide

- 2 pole 8 A or 1 pole 16 A
- EMR - DC or AC/DC coil versions
- SSR - DC input versions
- Screw and Screwless terminal options

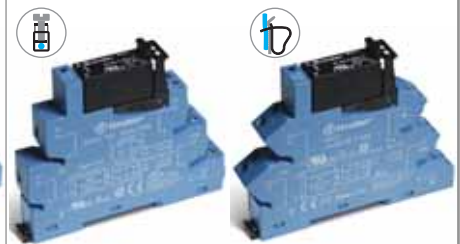
### 38.01/38.52/38.11/38.62



- 1 CO - 16 A 250VAC
- 2 CO - 8 A 250VAC

Page 4

### 38.31/38.41



- Single solid state output:  
Options 5A 24VDC, 3A 240VAC
- Silent, high speed switching
- Long electrical life

Page 5

## Features

**1 Pole - 6 A electromechanical relay interface modules, 6.2 mm wide.**

**Ideal interface for PLC and electronic systems**

- Sensitive DC coil or AC/DC coil versions
- Integral coil indication and protection circuit
- Instant ejection of relay using plastic retaining clip
- UL Listing (certain relay/socket combinations)
- 35 mm rail (EN 60715) mounting

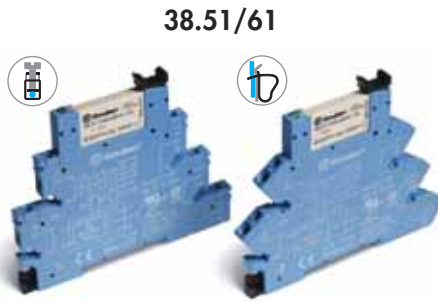
38.51 / 38.51.3  
Screw terminal



38.61 / 38.61.3  
Screwless terminal

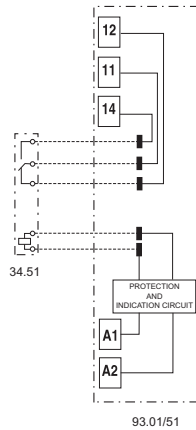


\* Special version for max ambient temperature +70°C.  
For outline drawing see page 12



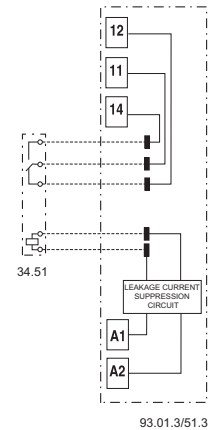
38.51/61

- 1 pole electromechanical relay
- Screw terminal and screwless terminal
- 35 mm rail (EN 60715) mounting



38.51.3 / 38.61.3

- Leakage current suppression
- 1 pole electromechanical relay
- Screw terminal and screwless terminal
- 35 mm rail (EN 60715) mounting



Contact specification					
Contact configuration		1 CO (SPDT)		1 CO (SPDT)	
Rated current/Maximum peak current	A	6/10		6/10	
Rated voltage/Maximum switching voltage V AC		250/400		250/400	
Rated load AC1	VA	1,500		1,500	
Rated load AC15 (230 V AC)	VA	300		300	
Single phase motor rating (230 V AC)	kW	0.185		0.185	
Breaking capacity DC1: 30/110/220 V	A	6/0.2/0.12		6/0.2/0.12	
Minimum switching load	mW (V/mA)	500 (12/10)		500 (12/10)	
Standard contact material		AgNi		AgNi	
Coil specification					
Nominal voltage (U <sub>N</sub> )	V AC/DC	12 - 24 - 48 - 60 - (110...125) - (220...240)		(110...125)	—
	V AC	(230...240)*		—	(230...240)
	V DC	6 - 12 - 24 - 48 - 60 (non polarized)		—	—
Rated power AC/DC	VA (50 Hz)/W	See page 9		1/1	0.5/—
Operating range	AC/DC	(0.8...1.1)U <sub>N</sub>		(94...138)V	—
	AC	(184...264)V		—	(184...264)V
	DC	(0.8...1.2)U <sub>N</sub>		—	—
Holding voltage	AC/DC	0.6 U <sub>N</sub> / 0.6 U <sub>N</sub>		0.6 U <sub>N</sub> / 0.6 U <sub>N</sub>	
Must drop-out voltage	AC/DC	0.1 U <sub>N</sub> / 0.05 U <sub>N</sub>		44 V	72 V
Technical data					
Mechanical life AC/DC	cycles	10 · 10 <sup>6</sup>		10 · 10 <sup>6</sup>	
Electrical life at rated load AC1	cycles	60 · 10 <sup>3</sup>		60 · 10 <sup>3</sup>	
Operate/release time	ms	5/6		5/6	
Insulation between coil and contacts (1.2/50 μs)	kV	6 (8 mm)		6 (8 mm)	
Dielectric strength between open contacts V AC		1,000		1,000	
Ambient temperature range (U <sub>N</sub> ≤ 60 V / >60V)	°C	-40...+70/-40...+55		-/-40...+55	
Protection category		IP 20		IP 20	

**Approvals relay** (according to type)

## Features

Single output - solid state relay interface modules, 6.2 mm wide.

Ideal interface for PLC and electronic systems

- DC, AC or AC/DC input versions
- Supplied with integral coil indication and protection circuit
- Silent, high switching speed and long electrical life
- Instant ejection of relay using plastic retaining clip
- UL Listing (certain relay/socket combinations)
- 35 mm rail (EN 60715) mounting

38.81 / 38.81.3  
Screw terminal



38.91 / 38.91.3  
Screwless terminal



### 38.81/38.91

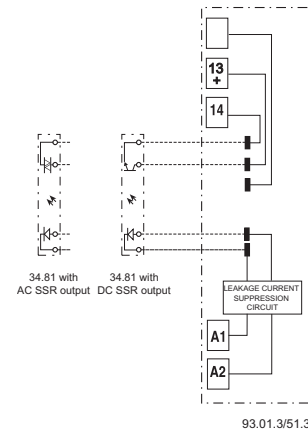
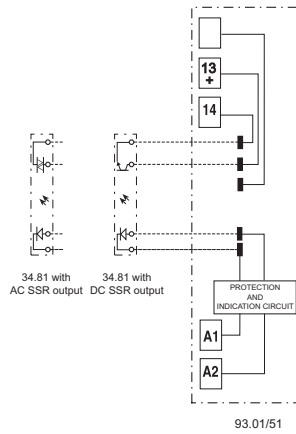


- AC or DC output switching
- SSR relay - DC input voltage
- Screw terminal and screwless terminal
- 35 mm rail (EN 60715) mounting

### 38.81.3/38.91.3



- Leakage current suppression
- AC or DC output
- SSR relay - AC or AC/DC input voltage
- Screw terminal and screwless terminal
- 35 mm rail (EN 60715) mounting



For outline drawing see page 12

Output specification		1 NO (SPST-NO)			1 NO (SPST-NO)		
Contact configuration		1 NO (SPST-NO)			1 NO (SPST-NO)		
Rated current/Maximum peak current (10 ms) A		2/20	0.1/0.5	2/40	2/20	0.1/0.5	2/40
Rated voltage/Maximum blocking voltage V		24/33 DC	48/60 DC	240/275 AC	24/33 DC	48/60 DC	240/275 AC
Switching voltage range V		(1.5...24)DC	(1.5...48)DC	(12...240)AC	(1.5...24)DC	(1.5...48)DC	(12...240)AC
Minimum switching current mA		1	0.05	22	1	0.05	22
Max. "OFF-state" leakage current mA		0.001	0.001	1.5	0.001	0.001	1.5
Max. "ON-state" voltage drop V		0.12	1	1.6	0.12	1	1.6
Input specification							
Nominal voltage (U <sub>N</sub> )	V AC	—			230...240		
	V DC	6 - 24 - 60			—		
	V AC/DC	(110...125) - (220...240)			110...125		
Operating range	V DC	See page 10			See page 10		
Control current	mA	See page 10			See page 10		
Release voltage	V DC	See page 10			See page 10		
Technical data							
Operate/release time: ON/OFF (DC input) ms		0.2/0.6	0.04/0.11	12/12	0.2/0.6	0.04/0.11	12/12
Dielectric strength between input/output V		2,500			2,500		
Ambient temperature range °C		-20...+55			-20...+55		
Environmental protection		IP20			IP20		
Approvals relay (according to type)							

## Features

**Slim timed interface module, 6.2 mm wide.**  
**1 pole, 6 A - electromechanical relay**  
**1 output, 2 A DC or AC - solid state relay**

- Electromechanical or solid state output
- Multi-functions timer
- AC/DC supply
- 4 time scales from 0.1s to 6h
- Instant ejection of relay using plastic retaining clip
- 6.2 mm wide, 35 mm rail (EN 60715) mounting

38.21  
Screw terminal



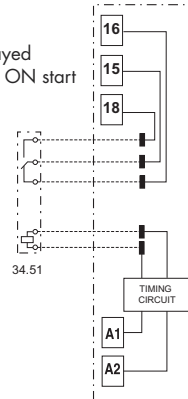
For outline drawing see page 12

**NEW** 38.21



- 1 pole electromechanical output relay
- 12 or 24 V AC/DC supply
- Screw terminal
- 35 mm rail (EN 60715) mounting

**AI:** ON delay  
**DI:** ON pulse  
**GI:** Fixed pulse (0.5s) delayed  
**SW:** Symmetrical recycling: ON start

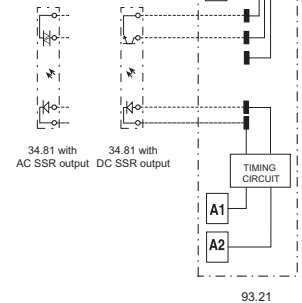


**NEW** 38.21...9024-8240



- DC or AC solid state output relays
- 24V AC/DC supply voltage
- Screw terminal
- 35 mm rail (EN 60715) mounting

**AI:** ON delay  
**DI:** ON pulse  
**GI:** Fixed pulse (0.5s) delayed  
**SW:** Symmetrical recycling: ON start



Contact specification			
Contact configuration		1 CO (SPDT)	
Rated current/Maximum peak current	A	6/10	
Rated voltage/Maximum switching voltage V AC		250/400	
Rated load AC1	VA	1,500	
Breaking capacity DC1: 30/110/220 V	A	6/0.2/0.12	
Minimum switching load	mW (V/mA)	500 (12/10)	
Standard contact material		AgNi	
Output specification		DC output (...9024)	AC output (...8240)
Output configuration		1 NO (SPST-NO)	1 NO (SPST-NO)
Rated current/Maximum peak current	A	2/20	2/40
Rated voltage/Maximum blocking voltage	V	(24/33)DC	(240/275)AC
Switching voltage range	V	(1.5...24)DC	(12...275)AC
Minimum switching current	mA	1	22
Max. "OFF-state" leakage current	mA	0.001	1.5
Max. "ON-state" voltage drop	V	0.12	1.6
Supply specification			
Nominal voltage (U <sub>N</sub> )	V AC (50/60Hz)/DC	12 - 24	
Rated power	VA/W	0.5	
Operating range	AC	(0.8...1.1)U <sub>N</sub>	
	DC	(0.8...1.1)U <sub>N</sub>	
Technical data			
Specified time range		(0.1...3)s, (3...60)s, (1...20)min, (0.3...6)h	
Repeatability	%	± 1	
Recovery time	ms	≤ 50	
Setting accuracy-full range	%	5%	
Ambient temperature	°C	-40...+70	-20...+55
Protection category		IP 20	
Approvals relay (according to type)			

## Features

Electromechanical relay interface modules, 14 mm wide.

38.01 and 38.11 - 1 Pole 16 A  
38.52 and 38.62 - 2 Pole 8 A

Ideal interface for PLC and electronic systems

- Sensitive DC coil or AC/DC coil versions
- Integral coil indication and protection circuit
- Instant ejection of relay using plastic retaining clip
- UL Listing (certain relay/socket combinations)
- 35 mm rail (EN 60715) mounting

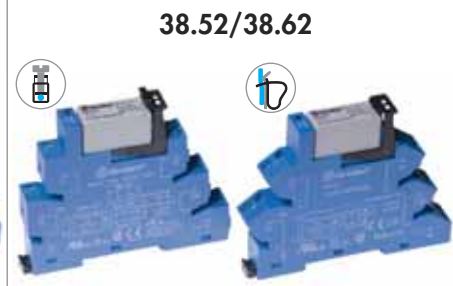
38.01/52  
Screw terminal



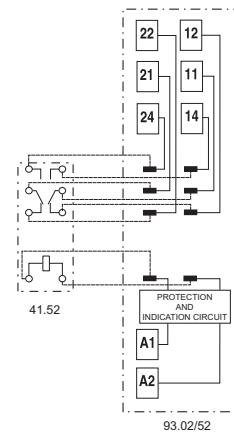
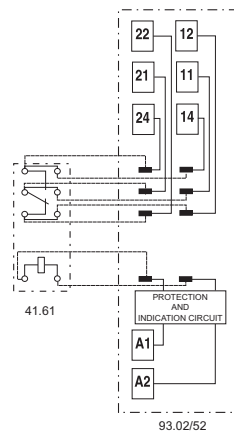
38.11/62  
Screwless terminal



- Screw terminal and screwless terminal
- 1 pole electromechanical relay
- 35 mm rail (EN 60715) mounting



- Screw terminal and screwless terminal
- 2 pole electromechanical relay
- 35 mm rail (EN 60715) mounting



\* For currents > 10 A, contact terminals must be connected in parallel (21 with 11, 24 with 14, 22 with 12).

For outline drawing see page 12

Contact specification		38.01/38.11	38.52/38.62
Contact configuration		1 CO (DPDT)	2 CO (DPDT)
Rated current/Maximum peak current	A	16*/30	8/15
Rated voltage/Maximum switching voltage	V AC	250/400	250/400
Rated load AC1	VA	4,000	2,000
Rated load AC15 (230 V AC)	VA	750	400
Single phase motor rating (230 V AC)	kW	0.5	0.3
Breaking capacity DC1: 30/110/220 V	A	16/0.3/0.12	8/0.3/0.12
Minimum switching load	mW (V/mA)	300 (5/5)	300 (5/5)
Standard contact material		AgNi	AgNi
Coil specification			
Nominal voltage (U <sub>N</sub> )	V AC/DC	24 - 60 - (110...125) - (220...240)	24 - 60 - (110...125) - (220...240)
	V DC	12 - 24 - 60	12 - 24 - 60
Rated power AC/DC	VA (50 Hz)/W	See page 9	See page 9
Operating range	AC/DC	0.8...1.1	0.8...1.1
	DC	(0.8...1.2)U <sub>N</sub>	(0.8...1.2)U <sub>N</sub>
Holding voltage	AC/DC	0.6 / 0.6 U <sub>N</sub>	0.6 / 0.6 U <sub>N</sub>
Must drop-out voltage	AC/DC	0.1 / 0.05 U <sub>N</sub>	0.1 / 0.05 U <sub>N</sub>
Technical data			
Mechanical life AC/DC	cycles	30 · 10 <sup>6</sup>	30 · 10 <sup>6</sup>
Electrical life at rated load AC1	cycles	70 · 10 <sup>3</sup>	80 · 10 <sup>3</sup>
Operate/release time	ms	8 / 10	8 / 10
Insulation between coil and contacts (1.2/50 μs)	kV	6 (8 mm)	6 (8 mm)
Dielectric strength between open contacts	V AC	1,000	1,000
Ambient temperature range (U <sub>N</sub> ≤ 60 V / > 60V)	°C	-40...+70 / -40...+55	-40...+70 / -40...+55
Protection category		IP 20	IP 20

Approvals relay (according to type)



## Features

Single output - solid state relay interface modules, 14 mm wide

Ideal interface for PLC and electronic systems

- DC input versions
- Supplied with integral coil indication and protection circuit
- Silent, high switching speed and long electrical life
- Instant ejection of relay using plastic retaining clip
- UL Listing (certain relay/socket combinations)
- 35 mm rail (EN 60715) mounting

38.31  
Screw terminal



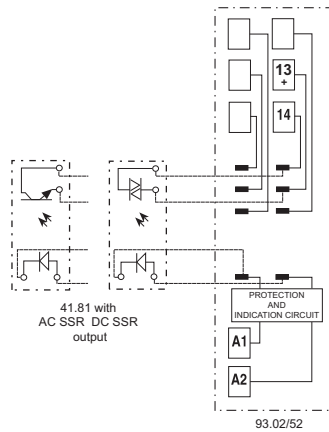
38.41  
Screwless terminal



**NEW** 38.31/38.41



- Screw terminal and screwless terminal
- AC or DC output switching
- SSR relay - DC input voltage
- 35 mm rail (EN 60715) mounting



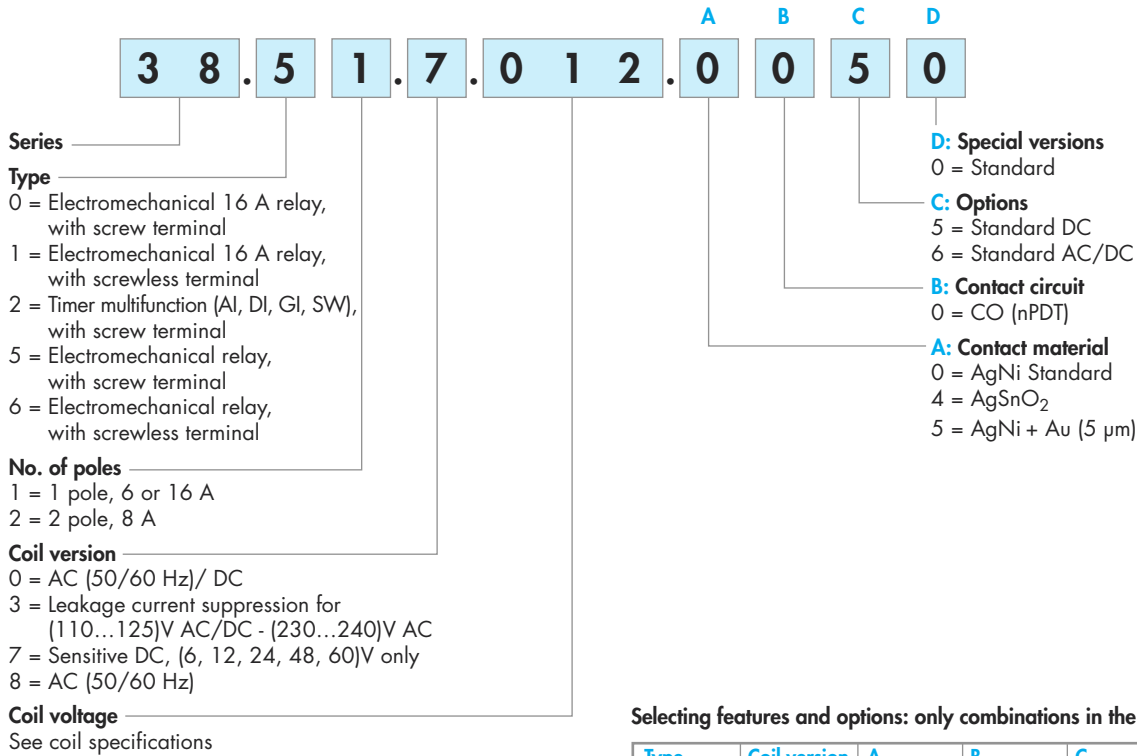
For outline drawing see page 12

Output specification		
Contact configuration	1 NO (SPST-NO)	1 NO (SPST-NO)
Rated current/Maximum peak current (100 µs) A	5/40	3/40
Rated voltage/Maximum blocking voltage V	(24/35)DC	(240/275)AC
Switching voltage range V	(1.5...35)DC	(12...275)AC
Minimum switching current mA	1	50
Max. "OFF-state" leakage current mA	0.01	1
Max. "ON-state" voltage drop V	0.3	1.1
Input specification		
Nominal voltage (U <sub>N</sub> ) V AC	—	
V DC	24	
Operating range V DC	See page 10	
Control current mA	See page 10	
Release voltage V DC	See page 10	
Technical data		
Operate/release time: ON/OFF (DC input) ms	0.05/0.25	12/12
Dielectric strength between input/output V	2,500	
Ambient temperature range °C	-20...+55	
Environmental protection	IP20	
Approvals relay (according to type)		

## Ordering information

### Electromechanical relay - 1 or 2 Pole

Example: 38 series screw terminal relay interface module, 1 CO (SPDT), sensitive 12 V DC coil.



Selecting features and options: only combinations in the same row are possible.

Type	Coil version	A	B	C	D
38.01/11	7	0 - 4	0	5	0
38.01/11	0	0 - 4	0	6	0
38.51/61	7	0 - 4 - 5	0	5	0
38.51/61	0 - 3 - 8	0 - 4 - 5	0	6	0
38.52/62	7	0 - 5	0	5	0
38.52/62	0	0 - 5	0	6	0
38.21	0	0	0	6	0

## Ordering information

### Solid state relay - Single output - 6.2 & 14 mm wide

Example: 38 series screw terminal SSR relay interface module, 6.2 mm wide, 2 A output, 24 V DC input.



**Series**

**Type**

- 21 = Timer SSR 6.2mm wide, with screw terminal
- 31 = SSR 14mm wide, with screw terminal
- 41 = SSR 14mm wide, with screwless terminal
- 81 = SSR 6.2mm wide, with screw terminal
- 91 = SSR 6.2mm wide, with screwless terminal

**Input version**

- 0 = AC/DC for 24V Timer SSR and (110...125)V and (220...240)V SSR only
- 3 = Leakage current suppression for (110...125)V AC/DC and (230...240)V AC SSR only
- 7 = DC, (6, 24, 60)V SSR only

**Input voltage**

See input specifications

**Output version**

- 9024 = 2 A - 24 V DC (38.81 & 38.91)
- 9024 = 5 A - 24 V DC (38.31 & 38.41)
- 7048 = 0.1 A - 48 V DC (38.81 & 38.91)
- 8240 = 2 A - 240 V AC (38.81 & 38.91)
- 8240 = 3 A - 240 V AC (38.31 & 38.41)

**Selecting features and options: only combinations in the same row are possible.**

Type	Input version	Output version
38.81/91	7	9024 - 7048 - 8240
38.81/91	0 - 3	9024 - 7048 - 8240
38.31/41	7	9024 - 8240
38.21	0	9024 - 8240

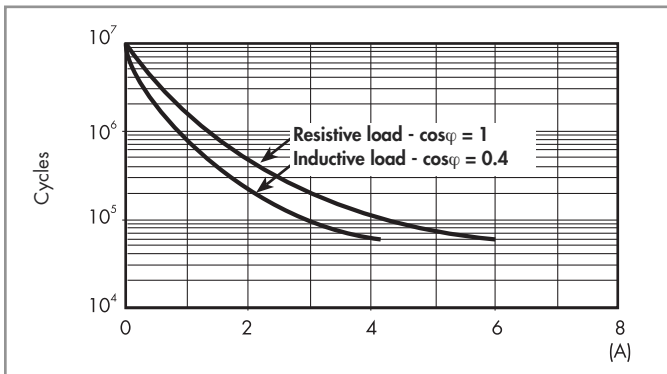


## Technical data - 1 & 2 Pole Electromechanical Relays

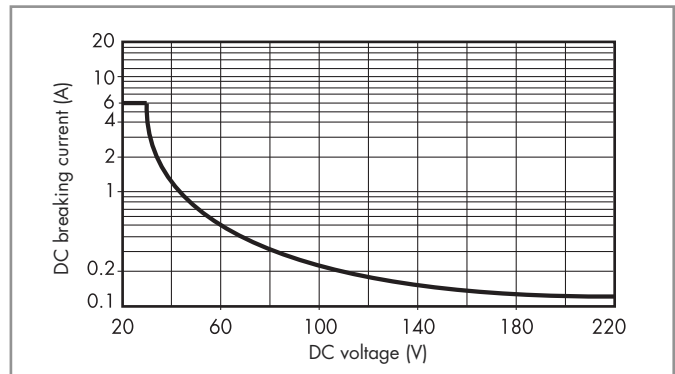
Insulation				
Insulation according to EN 61810-1	insulation rated voltage	V	250	400
	rated impulse withstand voltage	kV	4	4
	pollution degree		3	2
	overvoltage category		III	III
Insulation between coil and contacts (1.2/50 $\mu$ s)		kV	6 (8 mm)	
Dielectric strength between open contacts		V AC	1,000	
Conducted disturbance immunity				
Burst (5...50)ns, 5 kHz, on A1 - A2			EN 61000-4-4	level 4 (4 kV)
Surge (1.2/50 $\mu$ s) on A1 - A2 (differential mode)			EN 61000-4-5	level 3 (2 kV)
Other data				
			<b>1 Pole 6 A</b>	<b>1 Pole 16 A - 2 Pole 8 A</b>
Bounce time: NO/NC	ms		1/6	2/5
Vibration resistance (10...55)Hz: NO/NC	g		10/5	15/2
Power lost to the environment	without contact current	W	0.2 (12 V) - 0.9 (240 V)	
	with rated current	W	0.5 (12 V) - 1.5 (240 V)	
			<b>38.21 / 38.51</b>	<b>38.61</b>
Terminals				
Wire strip length	mm		10	
⊖ Screw torque	Nm		0.5	
Max. wire size			solid cable	stranded cable
	mm <sup>2</sup>		1x2.5/2x1.5	1x2.5
	AWG		1x14/2x16	1x14
			<b>38.01 / 38.52</b>	<b>38.11 / 38.62</b>
Wire strip length	mm		10	
⊖ Screw torque	Nm		0.5	
Max. wire size			solid cable	stranded cable
	mm <sup>2</sup>		1x2.5/2x1.5	1x2.5
	AWG		1x14/2x16	1x14

## Contact specification - 1 & 2 Pole Electromagnetic Relays

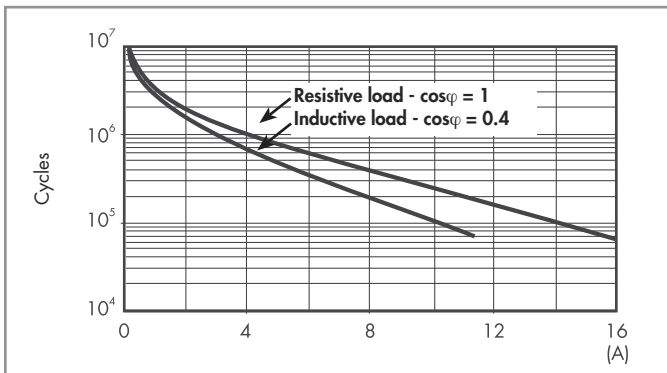
**F 38 - Electrical life (AC) v contact current, 1 Pole 6 A**



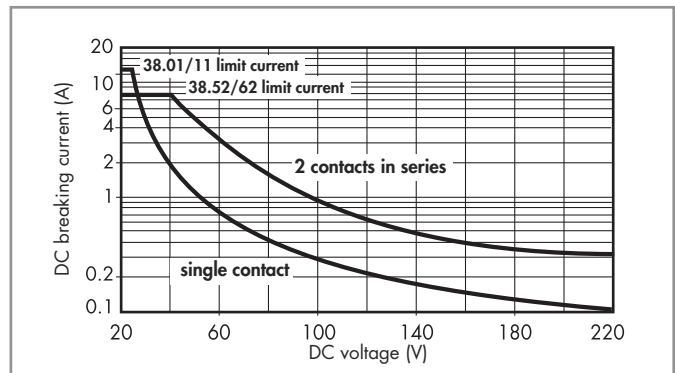
**H 38 - Maximum DC1 breaking capacity, 1 Pole 6 A**



**F 38 - Electrical life (AC) v contact current, 1 Pole 16 A and 2 Pole 8 A**



**H 38 - Maximum DC1 breaking capacity, 1 Pole 16 A and 2 Pole 8 A**



- When switching a resistive load (DC1) having voltage and current values under the curve, an electrical life of  $\geq 60 \cdot 10^3$  (1 Pole) or  $\geq 80 \cdot 10^3$  (2 Pole) can be expected.
- In the case of DC13 loads, the connection of a diode in parallel with the load will permit a similar electrical life as for a DC1 load. Note: the release time for the load will be increased.

## Coil specifications - 1 Pole 6 A Electromechanical Relay

**Coil data sensitive DC, 1 Pole**

Nominal voltage $U_N$ V	Coil code	Operating range		Rated coil consumption I at $U_N$ mA	Power consumption P at $U_N$ W
		$U_{min}$ V	$U_{max}$ V		
6	7.006	4.8	7.2	35	0.2
12	7.012	9.6	14.4	15.2	0.2
24	7.024	19.2	28.8	10.4	0.3
48	7.048	38.4	57.6	6.3	0.3
60	7.060	48	72	7	0.4

**Coil data AC/DC, 1 Pole**

Nominal voltage $U_N$ V	Coil code	Operating range		Rated coil consumption I at $U_N$ mA	Power consumption P at $U_N$ VA/W
		$U_{min}$ V	$U_{max}$ V		
12	0.012	9.6	13.2	16	0.2/0.2
24	0.024	19.2	26.4	12	0.3/0.2
48	0.048	38.4	52.8	6.9	0.3/0.3
60	0.060	48	66	7	0.5/0.5
110...125	0.125	88	138	5(*)	0.6/0.6(*)
220...240	0.240	176	264	4(*)	1/0.9(*)

(\*) Rated coil consumption and power consumption values relate to  $U_N = 125$  and  $240$  V.

**Coil data AC, 1 Pole** (indicated for max ambient temperature +70°C)

Nominal voltage $U_N$ V	Coil code	Operating range		Rated coil consumption I at $U_N$ mA	Power consumption P at $U_N$ VA/W
		$U_{min}$ V	$U_{max}$ V		
(230...240) AC	8.240	184	264	3	0.7/0.3

**Coil data, leakage current suppression types, 1 Pole**

Nominal voltage $U_N$ V	Coil code	Operating range		Rated coil consumption I at $U_N$ mA	Power consumption P at $U_N$ VA/W
		$U_{min}$ V	$U_{max}$ V		
(110...125) AC/DC	3.125	94	138	8(*)	1/1(*)
(230...240) AC	3.240	184	264	7(*)	1.7/0.5(*)

(\*) Rated coil consumption and power consumption values relate to  $U_N = 125$  and  $240$  V.

The 38 Series interface modules (supply version 3) have built-in leakage current suppression to address industry concerns of the contacts not dropping-out when there is residual current in the circuit; at (110...125)V AC and (230...240)V AC.

This problem can occur, for example, when connecting the interface modules to PLC,s with triac outputs or when connecting via relatively long cables.

## Coil specifications - 1 Pole 16 A and 2 Pole 8 A Electromechanical Relay

**Coil data sensitive DC, 1 Pole 16 A and 2 Pole 8 A**

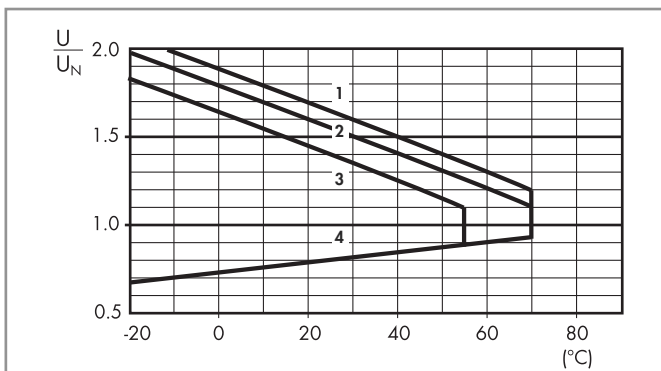
Nominal voltage $U_N$ V	Coil code	Operating range		Rated coil consumption I at $U_N$ mA	Power consumption P at $U_N$ W
		$U_{min}$ V	$U_{max}$ V		
12	7.012	9.6	14.4	41	0.5
24	7.024	19.2	28.8	19.5	0.5
60	7.060	48	72	8	0.5

**Coil data AC/DC, 1 Pole 16 A and 2 Pole 8 A**

Nominal voltage $U_N$ V	Coil code	Operating range		Rated coil consumption I at $U_N$ mA	Power consumption P at $U_N$ VA/W
		$U_{min}$ V	$U_{max}$ V		
24	0.024	19.2	26.4	20	0.5/0.5
60	0.060	48	66	7.1	0.5/0.5
110...125	0.125	88	138	4.6	0.6/0.6
220...240	0.240	184	264	3.8	0.9/0.9

## Coil specification - 1 & 2 Pole Electromagnetic Relays

**R 38 - DC coil operating range v ambient temperature**  
1 Pole and 2 Pole



- 1 - Max. permitted coil voltage at nominal load (DC coil).
- 2 - Max. permitted coil voltage at nominal load (AC/DC coils  $U \leq 60$  V).
- 3 - Max. permitted coil voltage at nominal load (AC/DC coils  $U > 60$  V).
- 4 - Min pick-up voltage with coil at ambient temperature.

## Technical data - Solid State Relays

Other data		38.81/38.91		38.31/38.41	
Power lost to the environment	without output current	W	0.25 (24 V DC)	0.5	
	with rated current	W	0.4	2.2 (DC output) / 3 (AC output)	
Terminals		38.81		38.91	
Wire strip length	mm	10		10	
⊖ Screw torque	Nm	0.5		—	
Max. wire size		solid cable	stranded cable	solid cable	stranded cable
	mm <sup>2</sup>	1x2.5 / 2x1.5	1x2.5 / 2x1.5	1x2.5	1x2.5
	AWG	1x14 / 2x16	1x14 / 2x16	1x14	1x14
		38.31		38.41	
Wire strip length	mm	10		10	
⊖ Screw torque	Nm	0.5		—	
Max. wire size		solid cable	stranded cable	solid cable	stranded cable
	mm <sup>2</sup>	1x2.5 / 2x1.5	1x2.5 / 2x1.5	1x2.5	1x2.5
	AWG	1x14 / 2x16	1x14 / 2x16	1x14	1x14

## Input specifications - Solid State Relays type 38.81 and 38.91 - 6.2 mm wide

### Input data DC

Nominal voltage U <sub>N</sub>	Supply code	Operating range		Release voltage U	Rated coil consumption I at U <sub>N</sub>	Power consumption P
		U <sub>min</sub>	U <sub>max</sub>			
V		V	V	V	mA	W
6	7.006	5	7.2	2.4	7	0.2
24	7.024	16.8	30	10	10.5	0.3
60	7.060	35.6	72	20	6.5	0.4

### Input data AC/DC

Nominal voltage U <sub>N</sub>	Supply code	Operating range		Release voltage U	Rated coil consumption I at U <sub>N</sub>	Power consumption P
		U <sub>min</sub>	U <sub>max</sub>			
V		V	V	V	mA	VA/W
110...125	0.125	88	138	22	5.5*	0.7/0.7
220...240	0.240	184	264	44	3.5*	1/0.9

(\*) Rated coil consumption and power consumption values relate to U<sub>N</sub> = 125 and 240 V.

### Input data - Leakage current suppression types

Nominal voltage U <sub>N</sub>	Supply code	Operating range		Release voltage U	Rated coil consumption I at U <sub>N</sub>	Power consumption P at U <sub>N</sub>
		U <sub>min</sub>	U <sub>max</sub>			
V		V	V	V	mA	W
110...125 AC/DC	3.125	94	138	44	8(*)	1/1(*)
230...240 AC	3.240	184	264	72	6.5(*)	1.6/0.6(*)

(\*) Rated coil consumption and power consumption values relate to U<sub>N</sub> = 125 and 240 V.

The 38 Series interface modules (supply version 3) have built-in leakage current suppression to address industry concerns of the contacts not dropping-out when there is residual current in the circuit; at (110...125)V AC and (230...240)V AC.

This problem can occur, for example, when connecting the interface modules to PLC,s with triac outputs or when connecting via relatively long cables.

## Input specification - Solid State Relay types 38.31 and 38.41 - 14 mm wide

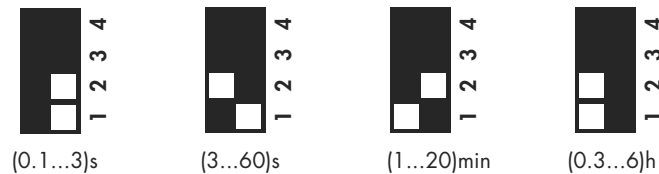
### Input data DC

Nominal voltage U <sub>N</sub>	Supply code	Operating range		Release voltage U	Rated coil consumption I at U <sub>N</sub>	Power consumption P
		U <sub>min</sub>	U <sub>max</sub>			
V		V	V	V	mA	W
24	7.024	16.8	30	5	12	0.3

## Additional technical data - Timed Interface Module

EMC specifications			
Type of test		Reference standard	
Electrostatic discharge	contact discharge	EN 61000-4-2	4 kV
	air discharge	EN 61000-4-2	8 kV
Radio-frequency electromagnetic field (80 ÷ 1000 MHz)		EN 61000-4-3	10 V/m
Fast transients (burst) (5-50 ns, 5 kHz) on Supply terminals		EN 61000-4-4	4 kV
Surges (1.2/50 µs) on Supply terminals	common mode	EN 61000-4-5	4 kV
	differential mode	EN 61000-4-5	4 kV
Radio-frequency common mode (0.15 ÷ 80 MHz) on Supply terminals		EN 61000-4-6	10 V
Radiated and conducted emission		EN 55022	class B
Other data		EMR	SSR
Power lost to the environment	without contact current	W	0.1
	with rated current	W	0.6
Terminals		38.21	
Wire strip length	mm	10	
Screw torque	Nm	0.5	
Max. wire size		solid cable	stranded cable
	mm <sup>2</sup>	1x2.5 / 2x1.5	1x2.5 / 2x1.5
	AWG	1x14 / 2x16	1x14 / 2x16

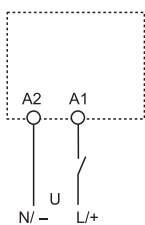
## Times scales



## Functions

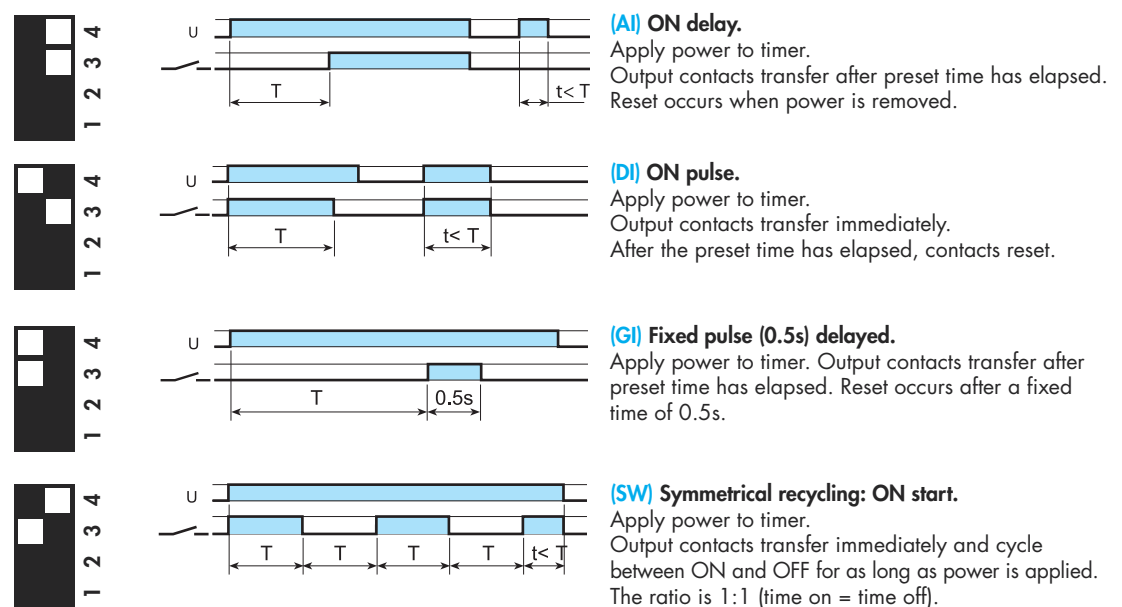
LED	Supply voltage	NO contact/output
	OFF	Open
	ON	Open (time in progress)
	ON	Closed

## Wiring diagram



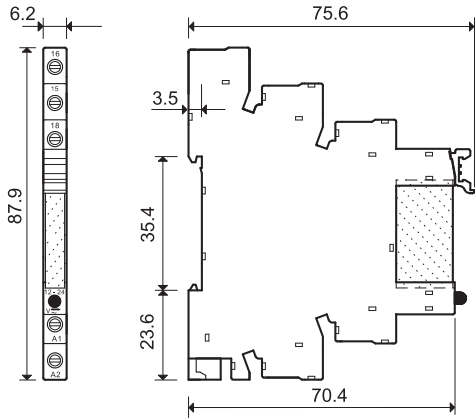
U = Supply voltage

= Output contact

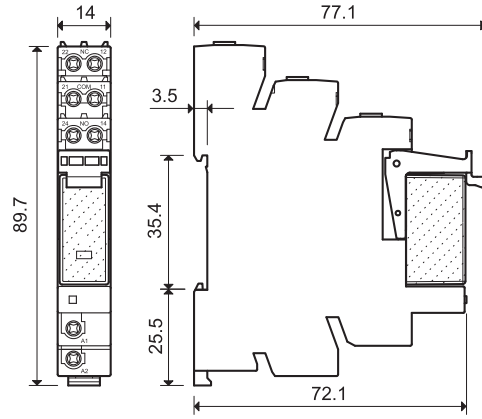


**Outline drawings**

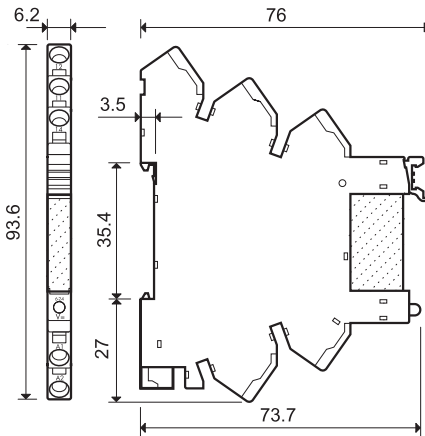
38.21  
38.51 / 38.51.3  
38.81 / 38.81.3  
Screw terminal



38.01  
38.31  
38.52  
Screw terminal



38.61 / 38.61.3  
38.91 / 38.91.3  
Screwless terminal



38.11  
38.41  
38.62  
Screwless terminal

