

# PRODUCT INFORMATION PACKET



Model No: C42P17NZ3B

Catalog No: 096002.00

PE350...124:1.14/12RPM.330LBIN..08HP.L42Y....115/230V.1PH.60/50HZ.TENV.C42P17NZ3B

PE350 Series



Regal and Leeson are trademarks of Regal Beloit Corporation or one of its affiliated companies.

©2018 Regal Beloit Corporation, All Rights Reserved. MC017097E





### Nameplate Specifications

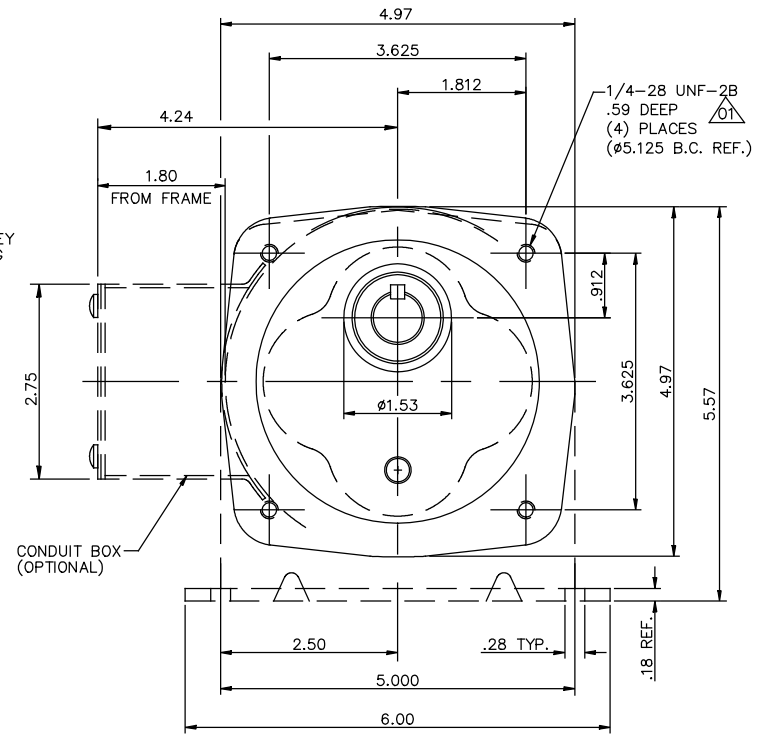
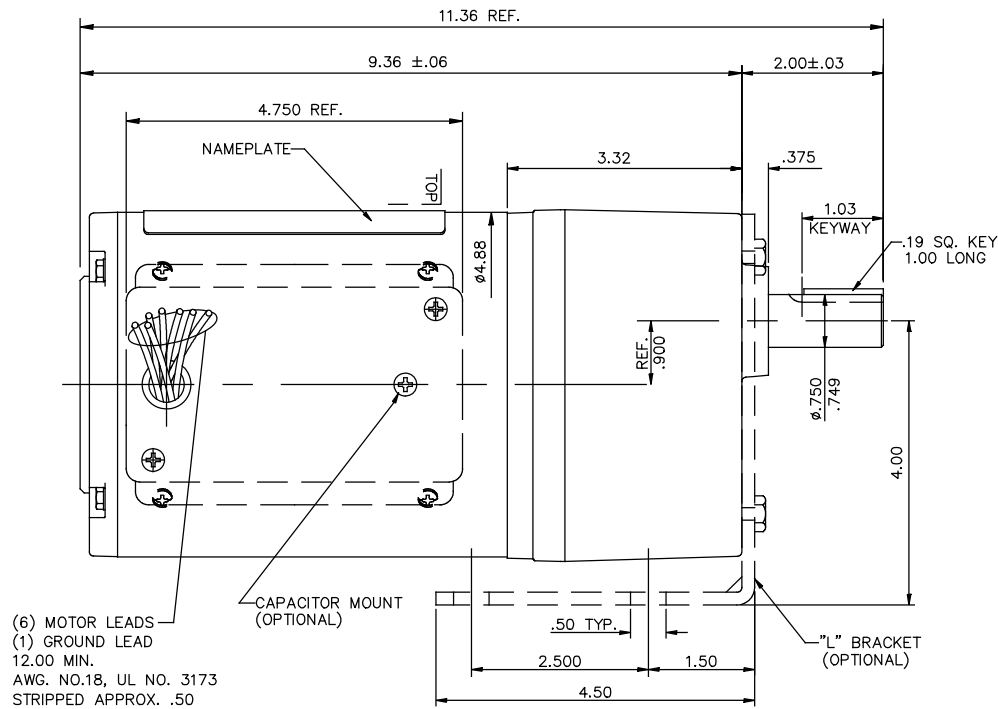
Output HP	0.08 Hp	Output KW	0.06 kW
Frequency	60 Hz	Voltage	110 V
Current	1.3/0.65 A	Speed	14 rpm
Service Factor	1	Phase	1
Duty	Continuous	Insulation Class	F
KVA Code	G	Frame	L42Y
Enclosure	Totally Enclosed Non Ventilated	Overload Protector	No
Ambient Temperature	40 °C	Drive End Bearing Size	6203
Opp Drive End Bearing Size	6201	UL	Recognized
CSA	Y	CE	N

### Technical Specifications

Rotation	Reversible	Mounting	Special
Shaft Type	Parallel	Overall Length	11.36 in
Frame Length	5.50 in	Shaft Diameter	0.750 in
Shaft Extension	1.625 in		
Outline Drawing	027690-096002	Connection Diagram	005108.05

This is an uncontrolled document once printed or downloaded and is subject to change without notice. Date Created: 10/15/2018

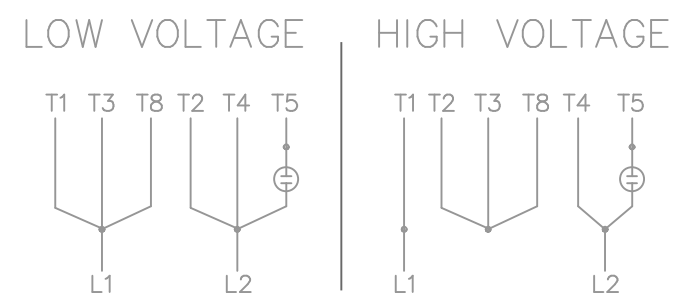
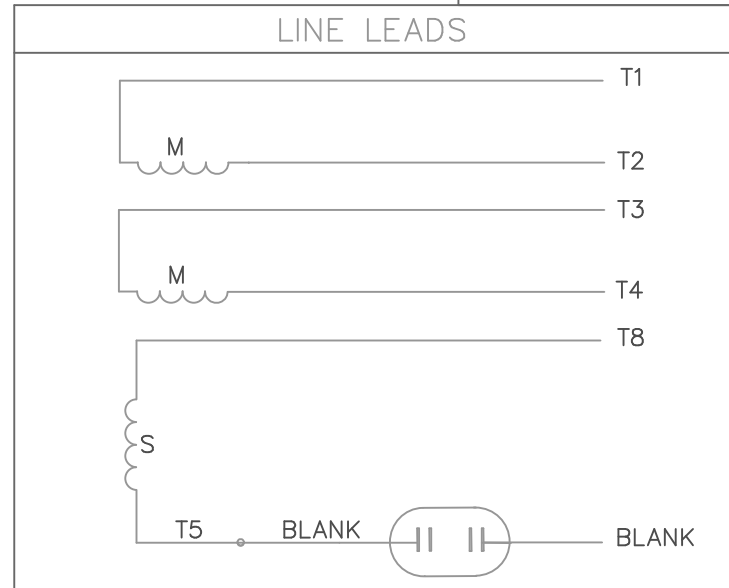
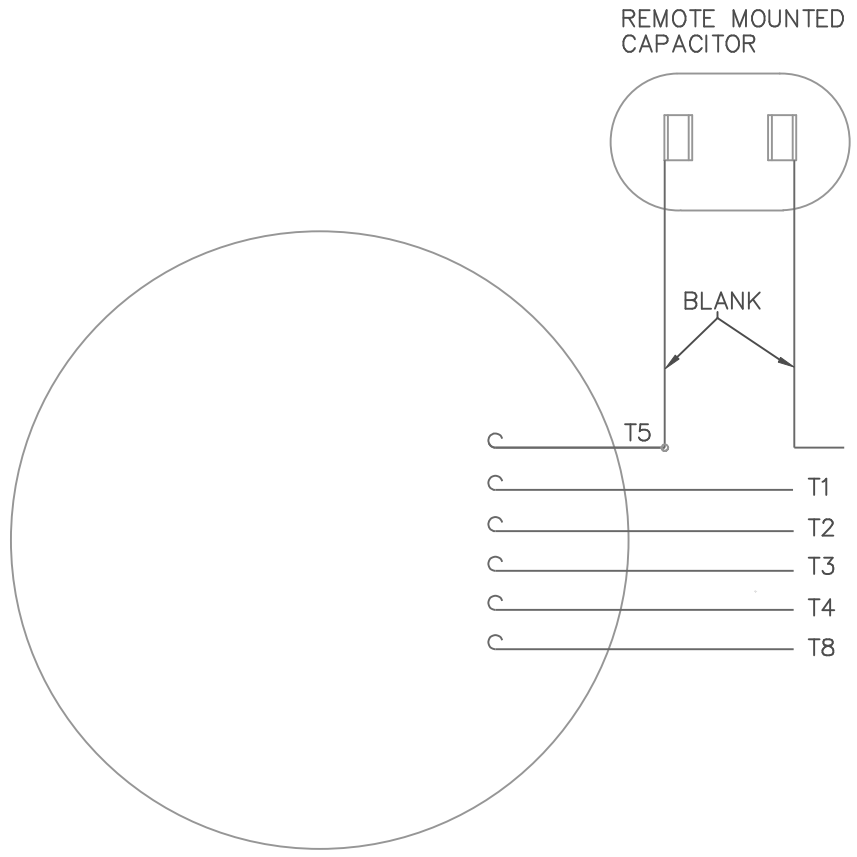
027690



CATALOG NUMBER	OUTPUT RPM	FULL LOAD TORQUE LB.-IN.	INPUT HP	OVERHUNG LOAD LBS.	RATIO TO 1
096000.00	5	310	1/12	565	336
096001.00	9	341	1/12	491	180
096002.00	14	280	1/12	459	124
096003.00	19	250	1/12	374	91

				TOLERANCES UNLESS OTHERWISE SPECIFIED		<b>LEESON ELECTRIC CORPORATION</b>					
				DECIMALS		DRAWN DWF 7/14/97					
				.00	± .01	CH'K'D.		TITLE			
				.000	± .005	APPR.		OUTLINE DRAWING			
				.0000	± .0005	MAT'L		42 FRAME PE350 STOCK			
01	THREAD DEPTH WAS .63"	JD	06/06/17	FRACTIONS	± 1/64	SCALE	1=1.5				
NO.	REVISION	BY	DATE	ANGLES	± 1/2°	REF.	027689	FINISH	LEESON	SIZE	DRAWING NO.
THIS DRAWING IN DESIGN AND DETAIL IS OUR PROPERTY AND MUST NOT BE USED EXCEPT IN CONNECTION WITH OUR WORK ALL RIGHTS OF DESIGN AND INVENTION ARE RESERVED				INCH/MM		FMF	096000.00	STOCK	B	027690	

VIEW FROM OUTSIDE OF MOTOR AT LEAD END.



2 STAGE:  
C.C.W. ROTATION FACING LEAD END AS SHOWN  
INTERCHANGE LEADS T5 & T8 FOR C.W.

3 STAGE:  
CW ROTATION FACING LEAD END AS SHOWN  
INTERCHANGE LEADS T5 & T8 FOR CCW

				TOLERANCES UNLESS OTHERWISE SPECIFIED		<b>LEESON</b> ELECTRIC CORPORATION					
				DECIMALS							
				.00	± .01	DRAWN DBT	07/21/97	TITLE		EXTERNAL WIRING DIAGRAM	
				.000	± .005	CH'K'D.		MAT'L.		TAG - 080689.02 - 2 STAGE	
				.0000	± .0005	APPR.		TAG - 080689.01 - 3 STAGE			
NO.	REVISION	BY	DATE	FRACTIONS	± 1/64	SCALE	1=1	FINISH	LEESON	SIZE	DRAWING NO.
THIS DRAWING IN DESIGN AND DETAIL IS OUR PROPERTY AND MUST NOT BE USED EXCEPT IN CONNECTION WITH OUR WORK ALL RIGHTS OF DESIGN AND INVENTION ARE RESERVED				ANGLES	± 1/2°	REF.	005018-01	GEARMOTORS	A	005108-05	
				INCH/MM		FMF					