

NEOZED D0 fuse-bases 400VAC

FUSE HOLDERS, FUSE BASES AND SUPPORTS

IEC D0 & D FUSE BASES



The D0 fuse-system is installed in low voltage distribution units, where fuse-links are accessible to non trained persons and can also be replaced by them.

This system is the newest generation of screw fuse-system in the german DIN standard and is designed for 400VAC/250VDC networks.

The D0 fuse-bases are available in the sizes D01, D02 and D03.

D0 fuse-bases are used in combination with D0 fuse-links for the protection of cables and power lines. D0 fuse-links limit and cut-off unacceptable overcurrents and short circuit currents up to their nominal breaking capacity. They also protect equipments and installations against dynamic effects of high short circuit currents.

TECHNICAL DATA OVERVIEW

Voltage Range AC	400 ... 440 VAC
Ampere Range (A)	16 ... 100 A
Product Size	D01 to D03

FEATURES & BENEFITS

- Insulated body suitable for high mechanical and thermal impacts
- Top and bottom contacts made of nickel plated copper alloy
- Safe cut-off short circuits and over currents due to special design of fuse element
- Clear indication of operation condition due coloured indicator on top contact
- Low power dissipation
- Optimized size
- Resistant to aging

APPLICATIONS

- House incoming units
- Meter distribution units
- Distribution cabinets
- Installation cabinets
- Fuse boxes

STANDARDS

- DIN VDE 0636-3
- DIN EN 60715



MERSEN reserves the right to change, update or correct, without notice, any information contained in this datasheet.

NEOZED D0 fuse-bases 400VAC

PRODUCT RANGE



01720.170000

Size D01 (E14) with touch protection, DIN rail mounting

Catalog number	Item number	Size	Rated voltage AC (IEC)	Rated current I _n	Number of poles/ phases	Connection	Cable termination	Package	Weight
01720.170000	B211463	D01	400 V	16 A	1	Cross section 1,5 to 4 mm ²	Clamping yokes	20	76.7 g
01720.370000	T215550	D01	400 V	16 A	1	Cross section 1,5 to 4 mm ²	Clamping yoke / screw terminal	20	69.5 g
01730.172000	A219144	D01	400 V	16 A	3	Cross section 1,5 to 4 mm ²	Clamping yokes	5	0.22 kg



01720.150000

Size D01 (E14) without touch protection, DIN rail mounting

Catalog number	Item number	Size	Rated voltage AC (IEC)	Rated current I _n	Number of poles/ phases	Connection	Cable termination	Package	Weight
01720.150000	J200660	D01	400 V	16 A	1	Cross section 1,5 to 4 mm ²	Clamping yokes	20	68 g
01730.152000	B216063	D01	400 V	16 A	3	Cross section 1,5 to 4 mm ²	Clamping yokes	5	41 g



01720.100000

Size D01 (E14) without touch protection, screw mounting

Catalog number	Item number	Size	Rated voltage AC (IEC)	Rated current I _n	Number of poles/ phases	Connection	Cable termination	Package	Weight
01720.100000	Z216061	D01	400 V	16 A	1	Cross section 1,5 to 4 mm ²	Clamping yokes	20	3.2 g
01730.100000	K200661	D01	400 V	16 A	3	Cross section 1,5 to 4 mm ²	Clamping yokes	5	40 g



01721.270000

Size D02 (E18) with touch protection, DIN rail mounting

Catalog number	Item number	Size	Rated voltage AC (IEC)	Rated current I _n	Number of poles/ phases	Connection	Cable termination	Package	Weight
01721.270000	M200663	D02	400 V	63 A	1	Cross section 1,5 to 25 mm ²	Clamp straps with 2 screws	20	89.5 g
01721.470000	K218624	D02	400 V	63 A	1	Cross section 1,5 to 25 mm ²	Clamp straps with 2 screws / screw terminal	20	93 g
01731.272000	E222874	D02	400 V	63 A	3	Cross section 1,5 to 25 mm ²	Clamp straps with 2 screws	5	0.28 kg



01721.450000

Size D02 (E18) without touch protection, DIN rail mounting

Catalog number	Item number	Size	Rated voltage AC (IEC)	Rated current I _n	Number of poles/ phases	Connection	Cable termination	Package	Weight
01721.250000	J218623	D02	400 V	63 A	1	Cross section 1,5 to 25 mm ²	Clamp straps with 2 screws	20	72 g
01721.450000	W215552	D02	400 V	63 A	1	Cross section 1,5 to 25 mm ²	Clamp straps with 2 screws / screw terminal	20	72 g
01731.252000	Y217601	D02	400 V	63 A	3	Cross section 1,5 to 25 mm ²	Clamp straps with 2 screws	5	0.25 kg
01731.452000	M211979	D02	400 V	63 A	3	Cross section 1,5 to 25 mm ²	Clamp straps with 2 screws / screw terminal	5	46.2 g

MERSEN reserves the right to change, update or correct, without notice, any information contained in this datasheet.

NEOZED D0 fuse-bases 400VAC

PRODUCT RANGE



01721.200000

Size D02 (E18) without touch protection, screw mounting

Catalog number	Item number	Size	Rated voltage AC (IEC)	Rated current I _n	Number of poles/phases	Connection	Cable termination	Package	Weight
01721.200000	M214532	D02	400 V	63 A	1	Cross section 1,5 to 25 mm ²	Clamp straps with 2 screws	20	71.5 g
01721.400000	F213008	D02	400 V	63 A	1	Cross section 1,5 to 25 mm ²	Clamp straps with 2 screws / screw terminal	20	72 g
01731.200000	F216573	D02	400 V	63 A	3	Cross section 1,5 to 25 mm ²	Clamp straps with 2 screws	5	0.24 kg
01731.400000	K206365	D02	400 V	63 A	3	Cross section 1,5 to 25 mm ²	Clamp straps with 2 screws / screw terminal	5	9 g



01722.470000

Size D03 (M30x2) with touch protection, DIN rail mounting

Catalog number	Item number	Size	Rated voltage AC (IEC)	Rated current I _n	Number of poles/phases	Connection	Cable termination	Package	Weight
01722.470000	F216067	D03	400 V	100 A	1	Cross section 10 to 50 mm ²	Clamp straps with 2 screws / screw terminal	10	0.22 kg



01722.450000

Size D03 (M30x2) without touch protection, DIN rail mounting

Catalog number	Item number	Size	Rated voltage AC (IEC)	Rated current I _n	Number of poles/phases	Connection	Cable termination	Package	Weight
01722.450000	Q214535	D03	400 V	100 A	1	Cross section 10 to 50 mm ²	Clamp straps with 2 screws / screw terminal	10	0.2 kg



01722.400000

Size D03 (M30x2) without touch protection, screw mounting

Catalog number	Item number	Size	Rated voltage AC (IEC)	Rated current I _n	Number of poles/phases	Connection	Cable termination	Package	Weight
01722.400000	J213011	D03	400 V	100 A	1	Cross section 10 to 50 mm ²	Clamp straps with 2 screws / screw terminal	10	0.19 kg



01722.480000

Size D03 general fuse-bases with cover cap

Catalog number	Item number	Size	Rated voltage AC (IEC)	Rated current I _n	Number of poles/phases	Connection	Cable termination	Package	Weight
snap-on-fixing									
01722.480000	H219680	D03	400 V	100 A	1	Cross section 10 to 50 mm ²	Clamp straps with 2 screws / screw terminal	10	0.26 kg
screw mounting									
01722.430000	K214024	D03	400 V	100 A	1	Cross section 10 to 50 mm ²	Clamp straps with 2 screws / screw terminal	10	0.25 kg

NEOZED D0 fuse-bases 400VAC

PRODUCT RANGE



01738.250000

Size D02 triple-pole fuse-bases without touch protection

Catalog number	Item number	Size	Rated voltage AC (IEC)	Rated current I _n	Number of poles/phases	Connection	Cable termination	Package	Weight
snap-on fixing									
01738.250000	B218110	D02	400 V	63 A	1	Cross section 1,5 to 25 mm ²	Clamp straps with 2 screws	5	42.6 g
screw mounting									
01738.200000	Z217602	D02	400 V	63 A	1	Cross section 1,5 to 25 mm ²	Clamp straps with 2 screws	5	41.6 g



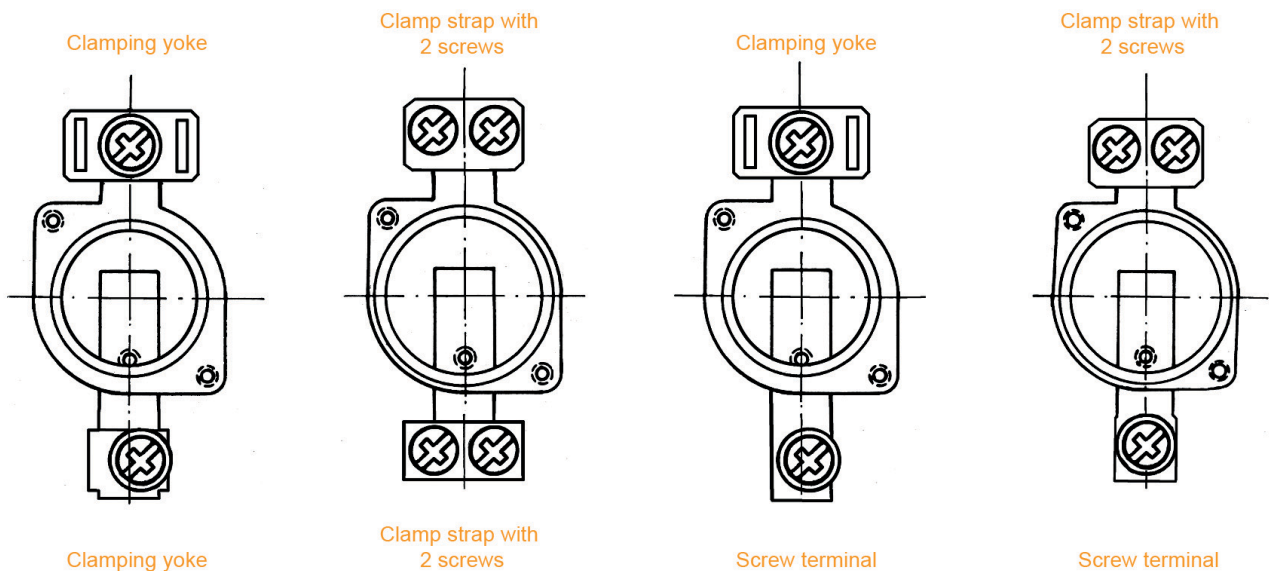
01732.700000

Size D01-D03 cover caps for touch protection

Catalog number	Item number	Size	Number of poles/phases	Package	Weight
Base Size D01/D02, triple-pole (standard), write on					
01732.700000	M216579	D01/02	3	20	22.7 g
Base Size D01/D02, single-pole (standard), write on					
01718.700000	V200670	D01/02	1	50	9.6 g
Base Size D03, single-pole					
01728.000000	V211986	D03	1	40	20.5 g

DIMENSIONS

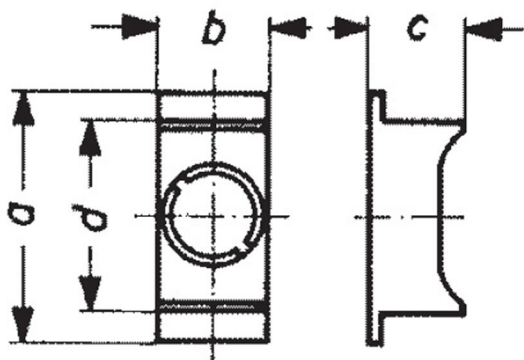
Terminal Type



NEOZED D0 fuse-bases 400VAC

DIMENSIONS

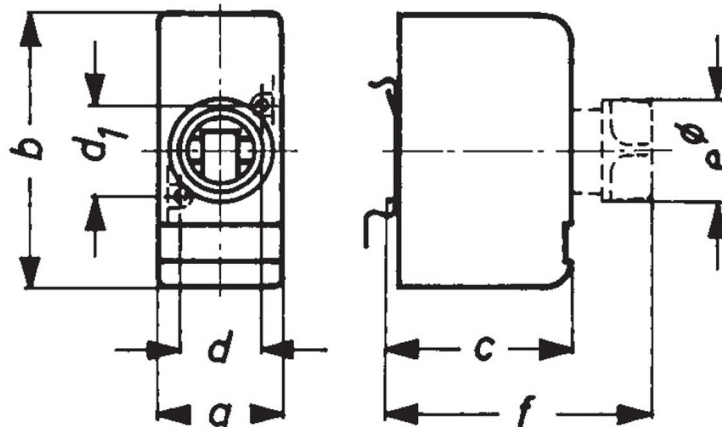
NEOZED protection-cover single pole



Article Number	a	b	c
01718.008000	60	26,8	23
01718.008000	71	26,8	23
01728.000000	60	44	18
01732.700000	71	81	23

Dimensions in mm

NEOZED fuse-bases single pole



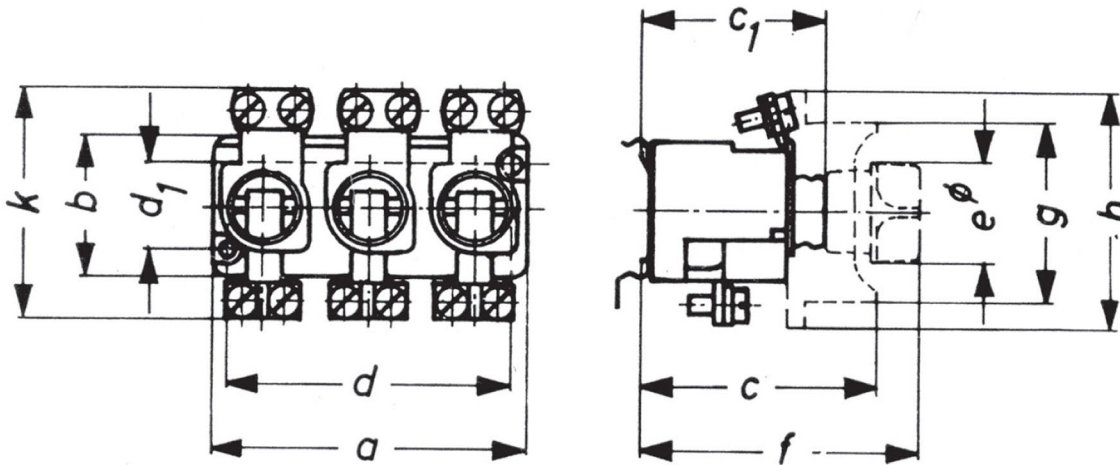
Article Number	a	b	c	d	d1	e∅	f
01722.430000	50	105	48	32	32	40	74
01722.480000	50	105	50	32	32	40	76

Dimensions in mm

NEOZED D0 fuse-bases 400VAC

DIMENSIONS

NEOZED fuse-bases triple pole



Article Number	a	b	c	c1	d	d1	e∅	f	g	h	k
01720.100000	26	36	-	39,5	20	22	25,5	64	34∅	-	50,5
01721.200000	26	36	-	39,5	20	22	25,5	64	34∅	-	57,5
01721.400000	26	36	-	39,5	20	22	25,5	64	34∅	-	57,5
01722.400000	44	50	-	44	32	32	40	74	52∅	-	86
01730.100000	81	36	-	39,5	74	22	25,5	64	-	-	50,5
01731.200000	81	36	-	39,5	74	22	25,5	64	-	-	57,5
01731.400000	81	36	-	39,5	74	22	25,5	64	-	-	57,5
01720.150000	26	36	-	41,5	20	22	25,5	66	34∅	-	50,5
01721.250000	26	36	-	41,5	20	22	25,5	66	34∅	-	57,5
01721.450000	26	36	-	41,5	20	22	25,5	66	34∅	-	57,5
01722.450000	44	50	-	46	32	32	40	76	52∅	-	86
01720.170000	27	36	57	41,5	20	22	25,5	66	45	71	50,5
01720.370000	27	36	57	41,5	20	22	25,5	66	45	71	50,5
01721.270000	27	36	57	41,5	20	22	25,5	66	45	71	57,5
01721.470000	27	36	57	41,5	20	22	25,5	66	45	71	57,5
01722.470000	44	50	54,5	46	32	32	40	76	45	71	86
01730.152000	81	36	-	41,5	74	22	25,5	66	-	-	50,5
01731.252000	81	36	-	41,5	74	22	25,5	66	-	-	57,5
01731.452000	81	36	-	41,5	74	22	25,5	66	-	-	57,5
01730.172000	81	36	57	41,5	74	22	25,5	66	45	71	50,5
01731.272000	81	36	57	41,5	74	22	25,5	66	45	71	57,5
01731.472000	81	36	57	41,5	74	22	25,5	66	45	71	57,5
01738.250000	80,5	30	55	39,5	22	20	25,5	64	45	71	44,5
01738.200000	80,5	30	55	39,5	22	20	25,5	64	45	71	44,5

Dimensions in mm

MERSEN reserves the right to change, update or correct, without notice, any information contained in this datasheet.

NEOZED D0 fuse-bases 400VAC

ACCESSORIES



01714.000200



01715.000000



01711.000200



01770.000200

Screw caps

Catalog number	Item number	Features	Package	Weight
DO screw caps 400VAC synthetic				
01714.000200	E212501	D01, E14, 16A, with testing hole	20	11.8 g
01715.000200	P211981	D02, E18, 63A, with testing hole	20	11.6 g
11714.000220	R214536	D01, E14, 16A, with sealing and testing hole	20	11.6 g
11715.000220	S214537	D02, E18, 63A, with sealing and testing hole	20	11.6 g
01715.000000	L206435	D02, E18, 63A, without testing hole	20	12 g
01715.890200	M214026	D02, E18, 63A, with adapter insert for fuse links size D01	20	12.4 g
DO screw caps 400/440 VAC, 250 V DC porcelain, with removal grips				
01711.000200	T215044	D02, E18, 63A, with testing hole	20	18.5 g
01712.000200	V215045	D03, M30x2, 100A, with testing hole	10	84 g
01770.000200	F1033740	D01, E14, 16A, with testing hole	20	16.4 g

D0 cartridge ring adapter inserts D01 E14



01705.006000



01705.010000

Catalog number	Item number	Features	Package	Weight
01705.002000	J216576	2A, pink	50	0.4 g
01705.004000	J219681	4A, brown	50	0.4 g
01705.006000	P206438	6A, green	50	0.4 g
01705.010000	M213014	10A, red	50	0.4 g

D0 cartridge ring adapter inserts D02 E18



01706.002000



01706.020000

Catalog number	Item number	Application	Features	Package	Weight
01706.002000	K216577	For D01 fuse links in D02 fuse bases	2A, pink	50	0.6 g
01706.004000	S222127	For D01 fuse links in D02 fuse bases	4A, brown	50	0.6 g
01706.006000	R211983	For D01 fuse links in D02 fuse bases	6A, green	50	0.6 g
01706.010000	H216069	For D01 fuse links in D02 fuse bases	10A, red	50	0.6 g
01706.016000	Q218629	For D01 fuse links in D02 fuse bases	16A, grey	50	0.5 g
01706.020000	S200668	For D02 fuse links	20A, blue	50	0.5 g
01706.025000	R213524	For D02 fuse links	25A, yellow	50	0.6 g
01706.035000	J216070	For D02 fuse links	35A, black	50	0.5 g
01706.050000	R218630	For D02 fuse links	50A, white	50	0.6 g

D0 cartridge ring adapter inserts D03 M30x2



01707.080000

Catalog number	Item number	Features	Package	Weight
01707.080000	T200669	80A, silver	20	1.6 g

NEOZED D0 fuse-bases 400VAC

ACCESSORIES



01714.800000



01715.810000



01714.830000

Locking devices

Catalog number	Item number	Design	Features	Package	Weight
01714.810000	P213062	-	Locking cap for D01 E14 fuse-bases	5	12.4 g
01714.800000	D212546	-	Locking cap for D01 E14 fuse-bases for authorized personal only (EVU)	5	12.2 g
01715.810000	Y215094	-	Locking cap for D02 E18 fuse-bases	5	13.7 g
01715.800000	R214582	-	Locking cap for D02 E18 fuse-bases for authorized personal only (EVU)	5	14 g
01714.830000	J214069A	-	Special key for locking caps	1	45 g



01707.000000



01713.000000

Adapter inserts

Catalog number	Item number	Features	Package	Weight
01707.000000	T211985	Adapter (space holder) for Size D02 fuse-links in Size D03 bases	30	17.4 g
01709.000000	P214028	Adapter for Size D02 fuse-links in Size D03 bases	25	1.3 g
01713.000000	Z215049	Adapter for Size D01 fuse-links in Size D02 bases	50	0.9 g
01733.000000	J218117	Adapter for Size D01 fuse-links in DL-bases	100	0.2 g



01708.000000

Adapter removal and fitting devices

Catalog number	Item number	Features	Package	Weight
01708.000000	J212505	Screw removal and insertion key to remove and insert cartridge ring adapter inserts size D01-D03	1	19.7 g

MERSEN reserves the right to change, update or correct, without notice, any information contained in this datasheet.