

# Protistor® size 71 aR

750 to 1250VAC (IEC) / 1300VAC (UL)

## SEMICONDUCTOR PROTECTION FUSES

## SQUARE BODY HIGH-SPEED FUSE-LINKS AC PROTECTION



These 1250/1300V Protistor® fuse-links provide maximum flexibility in equipment design and ultimate protection for today's power conversion equipment. These aR ultra-fast acting square body fuse-links are available in different body sizes, each size having multiple worldwide acceptable mounting styles.

The Protistor® have been engineered to provide state-of-the-art protection for semiconductors: diodes, thyristors and IGBT devices. Fuses are assembled with die-cut elements embedded in solidified sand, which helps control arcing characteristics for a lower  $I^2t$  and high interrupting rating level. All contact surfaces are silver plated and all hardware is non-magnetic.

All fuse-links can be equipped with a low voltage trip-indicator which can operate a field mountable microswitch.

## TECHNICAL DATA OVERVIEW

Voltage Range AC	750 ... 1250 VAC
Ampere Range (A)	160 ... 900 A
Speed/Characteristic	aR
I.R. AC	100 ... 150 kA
Product Size	71

## FEATURES & BENEFITS

- Multiple body sizes and terminals or blades combination
- aR Class according to IEC 60269-4 and VDE 636-23
- Very low  $I^2t$  for improved semiconductor protection
- Ultra fast acting
- Current limiting
- Superior cycling capability

## APPLICATIONS

- Protection of inverters, motor drives, UPS systems and similar 690V or less equipments.

## STANDARDS

- IEC 60269-4 Compliance
- UL/CSA Recognized E76491
- CCC GB 13539.4



# Protistor® size 71 aR

750 to 1250VAC (IEC) / 1300VAC (UL)

## PRODUCT RANGE



PC71UD13C450TF

### Size 71 type TTF M8 threaded terminals

Catalog number	Item number	Rated voltage AC (IEC)	Rated voltage AC (UL)	Rated current I <sub>n</sub>	Pre-arcing I <sup>2</sup> t	Clearing I <sup>2</sup> t at Rated Voltage	Rated breaking capacity AC	Power dissipation at I <sub>n</sub>	Package	Weight
PC71UD13C160TF	B300749	1250 V	1300 V	160 A	2.6 kA <sup>2</sup> s	21 kA <sup>2</sup> s	126 kA	46 W	3	0.52 kg
PC71UD13C200TF	Z300517	1250 V	1300 V	200 A	4.7 kA <sup>2</sup> s	38 kA <sup>2</sup> s	126 kA	54 W	3	0.52 kg
PC71UD13C250TF	A300518	1250 V	1300 V	250 A	8.9 kA <sup>2</sup> s	72 kA <sup>2</sup> s	126 kA	61 W	3	0.52 kg
PC71UD13C280TF	P300715	1250 V	1300 V	280 A	12 kA <sup>2</sup> s	96 kA <sup>2</sup> s	126 kA	68 W	3	0.52 kg
PC71UD13C315TF	B300519	1250 V	1300 V	315 A	16 kA <sup>2</sup> s	129 kA <sup>2</sup> s	126 kA	73 W	3	0.52 kg
PC71UD13C350TF	C300520	1250 V	1300 V	350 A	22 kA <sup>2</sup> s	178 kA <sup>2</sup> s	126 kA	76 W	3	0.52 kg
PC71UD13C400TF	D300521	1250 V	1300 V	400 A	38 kA <sup>2</sup> s	308 kA <sup>2</sup> s	126 kA	76 W	3	0.52 kg
PC71UD13C450TF	E300522	1250 V	1300 V	450 A	47.2 kA <sup>2</sup> s	378 kA <sup>2</sup> s	126 kA	87 W	3	0.52 kg
PC71UD11C500TF	F300523	1100 V	1200 V	500 A	68 kA <sup>2</sup> s	441 kA <sup>2</sup> s	150 kA	90 W	3	0.52 kg
PC71UD11C550TF	G300524	1100 V	1200 V	550 A	84 kA <sup>2</sup> s	548 kA <sup>2</sup> s	150 kA	98 W	3	0.52 kg
PC71UD11C630TF	H300525	1000 V	1100 V	630 A	126 kA <sup>2</sup> s	725 kA <sup>2</sup> s	150 kA	105 W	3	0.52 kg
PC71UD10C700TF	M301288	1000 V	1100 V	700 A	180 kA <sup>2</sup> s	1040 kA <sup>2</sup> s	150 kA	105 W	3	0.52 kg
PC71UD90V800TF	Z300862	900 V	950 V	800 A	290 kA <sup>2</sup> s	1540 kA <sup>2</sup> s	150 kA	116 W	3	0.52 kg
PC71UD80V900TF	N301289	800 V	850 V	900 A	446 kA <sup>2</sup> s	2010 kA <sup>2</sup> s	150 kA	100 W	3	0.52 kg
PC71UD75V10CTF	R301292	750 V	800 V	1000 A	556 kA <sup>2</sup> s	2310 kA <sup>2</sup> s	150 kA	129 W	3	0.52 kg



A130UD71TTI450

### Size 71 type TTI 5/16 in - 18 unified coarse threaded terminals

Catalog number	Item number	Rated voltage AC (IEC)	Rated voltage AC (UL)	Rated current I <sub>n</sub>	Pre-arcing I <sup>2</sup> t	Clearing I <sup>2</sup> t at Rated Voltage	Rated breaking capacity AC	Power dissipation at I <sub>n</sub>	Package	Weight
A130UD71TTI160	B301025	1250 V	1300 V	160 A	2.6 kA <sup>2</sup> s	21 kA <sup>2</sup> s	126 kA	46 W	3	0.5 kg
A130UD71TTI200	C301026	1250 V	1300 V	200 A	4.7 kA <sup>2</sup> s	38 kA <sup>2</sup> s	126 kA	54 W	3	0.5 kg
A130UD71TTI250	D301027	1250 V	1300 V	250 A	8.9 kA <sup>2</sup> s	72 kA <sup>2</sup> s	126 kA	61 W	3	0.5 kg
A130UD71TTI280	E301028	1250 V	1300 V	280 A	12 kA <sup>2</sup> s	96 kA <sup>2</sup> s	126 kA	68 W	3	0.5 kg
A130UD71TTI315	F301029	1250 V	1300 V	315 A	16 kA <sup>2</sup> s	129 kA <sup>2</sup> s	126 kA	73 W	3	0.5 kg
A130UD71TTI350	G301030	1250 V	1300 V	350 A	22 kA <sup>2</sup> s	178 kA <sup>2</sup> s	126 kA	76 W	3	0.5 kg
A120UD71TTI550	L301034	1100 V	1200 V	550 A	84 kA <sup>2</sup> s	548 kA <sup>2</sup> s	150 kA	98 W	3	0.5 kg
A120UD71TTI630	M301035	1000 V	1100 V	630 A	126 kA <sup>2</sup> s	820 kA <sup>2</sup> s	126 kA	105 W	3	0.5 kg
A130UD71TTI400	H301031	1250 V	1300 V	400 A	38 kA <sup>2</sup> s	308 kA <sup>2</sup> s	126 kA	76 W	3	0.5 kg
A130UD71TTI450	J301032	1250 V	1300 V	450 A	47 kA <sup>2</sup> s	378 kA <sup>2</sup> s	126 kA	87 W	3	0.5 kg
A130UD71TTI500	K301033	1100 V	1200 V	500 A	68 kA <sup>2</sup> s	441 kA <sup>2</sup> s	150 kA	90 W	3	0.5 kg

# Protistor® size 71 aR

750 to 1250VAC (IEC) / 1300VAC (UL)

## PRODUCT RANGE



PC71UD11C500D1A

### Size 71 type DIN110 blades

Catalog number	Item number	Rated voltage AC (IEC)	Rated voltage AC (UL)	Rated current I <sub>n</sub>	Pre-arcing I <sup>2</sup> t	Clearing I <sup>2</sup> t at Rated Voltage	Rated breaking capacity AC	Power dissipation at I <sub>n</sub>	Package	Weight
PC71UD13C160D1A	D300751	1250 V	1300 V	160 A	2.6 kA <sup>2</sup> s	21 kA <sup>2</sup> s	126 kA	46 W	3	0.52 kg
PC71UD13C200D1A	E300545	1250 V	1300 V	200 A	4.7 kA <sup>2</sup> s	38 kA <sup>2</sup> s	126 kA	54 W	3	0.52 kg
PC71UD13C250D1A	F300546	1250 V	1300 V	250 A	8.9 kA <sup>2</sup> s	72 kA <sup>2</sup> s	126 kA	61 W	3	0.52 kg
PC71UD10C630D1A	N300553	1000 V	1100 V	630 A	125 kA <sup>2</sup> s	725 kA <sup>2</sup> s	167 kA	120 W	3	0.52 kg
PC71UD13C280D1A	K300711	1250 V	1300 V	280 A	12 kA <sup>2</sup> s	96 kA <sup>2</sup> s	126 kA	70 W	3	0.52 kg
PC71UD13C315D1A	G300547	1250 V	1300 V	315 A	16 kA <sup>2</sup> s	129 kA <sup>2</sup> s	126 kA	76 W	3	0.52 kg
PC71UD13C350D1A	H300548	1250 V	1300 V	350 A	22 kA <sup>2</sup> s	178 kA <sup>2</sup> s	126 kA	80 W	3	0.52 kg
PC71UD13C400D1A	J300549	1250 V	1300 V	400 A	38 kA <sup>2</sup> s	308 kA <sup>2</sup> s	126 kA	80 W	3	0.52 kg
PC71UD13C450D1A	K300550	1250 V	1300 V	450 A	47 kA <sup>2</sup> s	378 kA <sup>2</sup> s	126 kA	95 W	3	0.52 kg
PC71UD11C500D1A	L300551	1100 V	1200 V	500 A	68 kA <sup>2</sup> s	441 kA <sup>2</sup> s	150 kA	100 W	3	0.52 kg
PC71UD11C550D1A	M300552	1100 V	1200 V	550 A	84 kA <sup>2</sup> s	548 kA <sup>2</sup> s	150 kA	112 W	3	0.52 kg



A110UD7ILLI630

### Size 71 type LI slotted blades

Catalog number	Item number	Rated voltage AC (IEC)	Rated voltage AC (UL)	Rated current I <sub>n</sub>	Pre-arcing I <sup>2</sup> t	Clearing I <sup>2</sup> t at Rated Voltage	Rated breaking capacity AC	Power dissipation at I <sub>n</sub>	Package	Weight
A130UD7ILLI160	E300752	1250 V	1300 V	160 A	2.6 kA <sup>2</sup> s	21 kA <sup>2</sup> s	126 kA	46 W	3	0.54 kg
A130UD7ILLI200	F300661	1250 V	1300 V	200 A	4.7 kA <sup>2</sup> s	38 kA <sup>2</sup> s	126 kA	54 W	3	0.54 kg
A130UD7ILLI250	G300662	1250 V	1300 V	250 A	8.9 kA <sup>2</sup> s	72 kA <sup>2</sup> s	126 kA	61 W	3	0.54 kg
A130UD7ILLI280	R300717	1250 V	1300 V	280 A	12 kA <sup>2</sup> s	96 kA <sup>2</sup> s	126 kA	70 W	3	0.54 kg
A130UD7ILLI315	H300663	1250 V	1300 V	315 A	16 kA <sup>2</sup> s	129 kA <sup>2</sup> s	126 kA	76 W	3	0.54 kg
A130UD7ILLI350	J300664	1250 V	1300 V	350 A	22 kA <sup>2</sup> s	178 kA <sup>2</sup> s	126 kA	80 W	3	0.54 kg
A130UD7ILLI400	K300665	1250 V	1300 V	400 A	38 kA <sup>2</sup> s	308 kA <sup>2</sup> s	126 kA	80 W	3	0.54 kg
A130UD7ILLI450	L300666	1250 V	1300 V	450 A	47 kA <sup>2</sup> s	378 kA <sup>2</sup> s	126 kA	95 W	3	0.54 kg
A120UD7ILLI500	M300667	1100 V	1200 V	500 A	68 kA <sup>2</sup> s	441 kA <sup>2</sup> s	150 kA	100 W	3	0.54 kg
A120UD7ILLI550	N300668	1100 V	1200 V	550 A	84 kA <sup>2</sup> s	548 kA <sup>2</sup> s	167 kA	112 W	3	0.54 kg
A110UD7ILLI630	P300669	1000 V	1100 V	630 A	126 kA <sup>2</sup> s	725 kA <sup>2</sup> s	167 kA	120 W	3	0.54 kg

# Protistor® size 71 aR

750 to 1250VAC (IEC) / 1300VAC (UL)

## PRODUCT RANGE



PC71UD11C550EF

### Size 71 type EF style notched blade connections

Catalog number	Item number	Rated voltage AC (IEC)	Rated voltage AC (UL)	Rated current I <sub>n</sub>	Pre-arcing I <sup>2</sup> t	Clearing I <sup>2</sup> t at Rated Voltage	Rated breaking capacity AC	Power dissipation at I <sub>n</sub>	Package	Weight
PC71UD13C160EF	C300750	1250 V	1300 V	160 A	2.6 kA <sup>2</sup> s	21 kA <sup>2</sup> s	126 kA	46 W	3	0.54 kg
PC71UD13C200EF	Z300609	1250 V	1300 V	200 A	4.7 kA <sup>2</sup> s	38 kA <sup>2</sup> s	126 kA	54 W	3	0.54 kg
PC71UD13C250EF	A300610	1250 V	1300 V	250 A	8.9 kA <sup>2</sup> s	72 kA <sup>2</sup> s	126 kA	61 W	3	0.54 kg
PC71UD13C280EF	M300713	1250 V	1300 V	280 A	12 kA <sup>2</sup> s	96 kA <sup>2</sup> s	126 kA	70 W	3	0.54 kg
PC71UD10C630EF	H300617	1000 V	1100 V	630 A	126 kA <sup>2</sup> s	725 kA <sup>2</sup> s	167 kA	120 W	3	0.54 kg
PC71UD13C315EF	B300611	1250 V	1300 V	315 A	16 kA <sup>2</sup> s	129 kA <sup>2</sup> s	126 kA	76 W	3	0.54 kg
PC71UD13C350EF	C300612	1250 V	1300 V	350 A	22 kA <sup>2</sup> s	178 kA <sup>2</sup> s	126 kA	80 W	3	0.54 kg
PC71UD13C400EF	D300613	1250 V	1300 V	400 A	38 kA <sup>2</sup> s	308 kA <sup>2</sup> s	126 kA	80 W	3	0.54 kg
PC71UD13C450EF	E300614	1250 V	1300 V	450 A	47 kA <sup>2</sup> s	378 kA <sup>2</sup> s	126 kA	95 W	3	0.54 kg
PC71UD11C500EF	F300615	1100 V	1200 V	500 A	68 kA <sup>2</sup> s	441 kA <sup>2</sup> s	150 kA	100 W	3	0.54 kg
PC71UD11C550EF	G300616	1100 V	1200 V	550 A	84 kA <sup>2</sup> s	548 kA <sup>2</sup> s	167 kA	112 W	3	0.54 kg



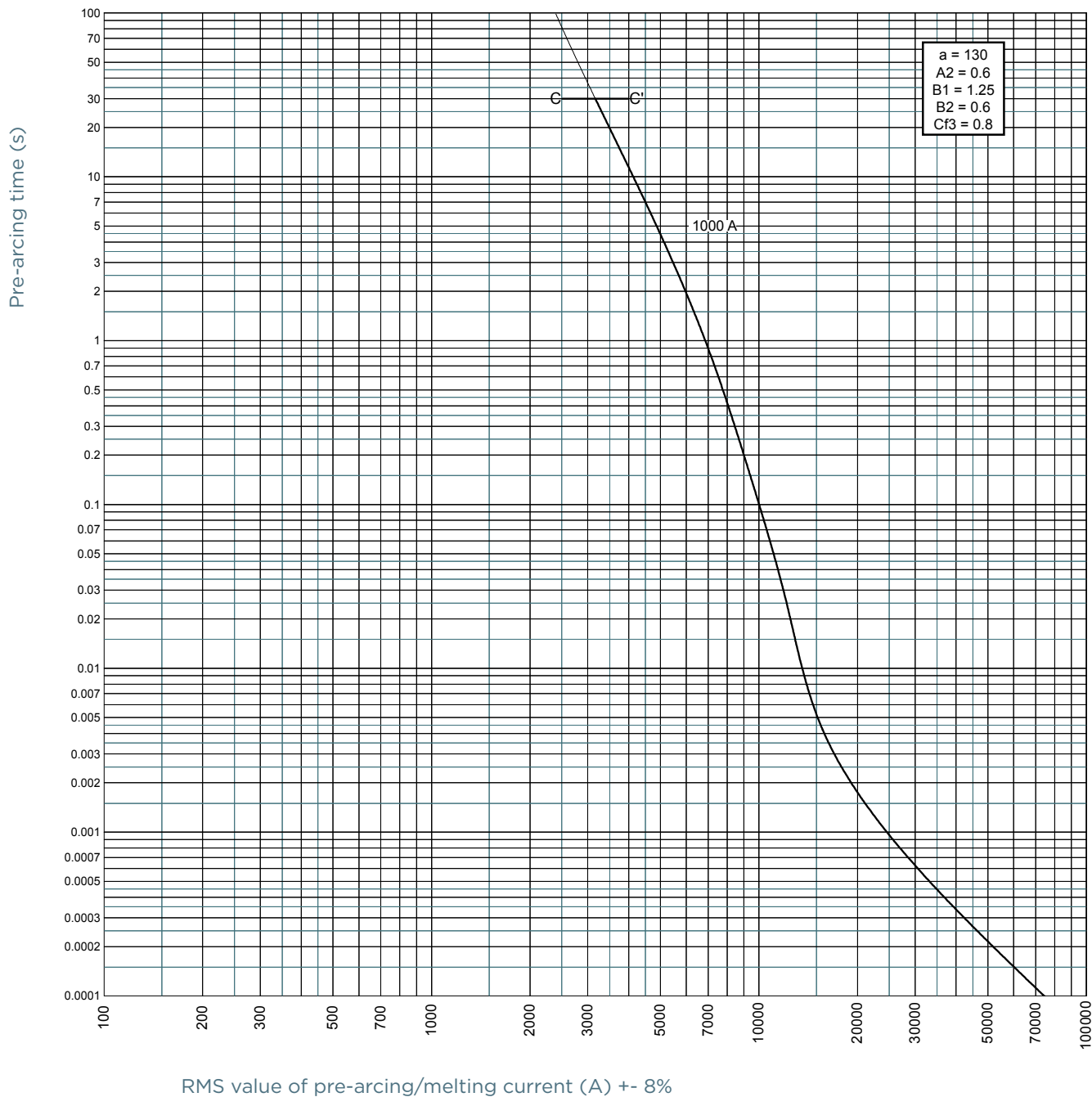
PC71UD13C450PA

### Size 71 type PA plain blades

Catalog number	Item number	Rated voltage AC (IEC)	Rated voltage AC (UL)	Rated current I <sub>n</sub>	Pre-arcing I <sup>2</sup> t	Clearing I <sup>2</sup> t at Rated Voltage	Rated breaking capacity AC	Power dissipation at I <sub>n</sub>	Package	Weight
PC71UD13C160PA	M301219	1250 V	1300 V	160 A	2.6 kA <sup>2</sup> s	21 kA <sup>2</sup> s	126 kA	46 W	3	0.56 kg
PC71UD13C200PA	G301835	1250 V	1300 V	200 A	4.7 kA <sup>2</sup> s	38 kA <sup>2</sup> s	126 kA	54 W	3	0.56 kg
PC71UD13C250PA	B301163	1250 V	1300 V	250 A	8.9 kA <sup>2</sup> s	72 kA <sup>2</sup> s	126 kA	61 W	3	0.56 kg
PC71UD13C315PA	A300840	1250 V	1300 V	315 A	16 kA <sup>2</sup> s	129 kA <sup>2</sup> s	126 kA	76 W	3	0.56 kg
PC71UD13C350PA	H1000070	1250 V	1300 V	350 A	22 kA <sup>2</sup> s	178 kA <sup>2</sup> s	126 kA	80 W	3	0.56 kg
PC71UD13C400PA	Q301222	1250 V	1300 V	400 A	38 kA <sup>2</sup> s	308 kA <sup>2</sup> s	126 kA	80 W	3	0.56 kg
PC71UD13C450PA	W302975	1250 V	1300 V	450 A	47 kA <sup>2</sup> s	378 kA <sup>2</sup> s	126 kA	95 W	3	0.56 kg

## TIME CURRENT CHARACTERISTIC CURVES

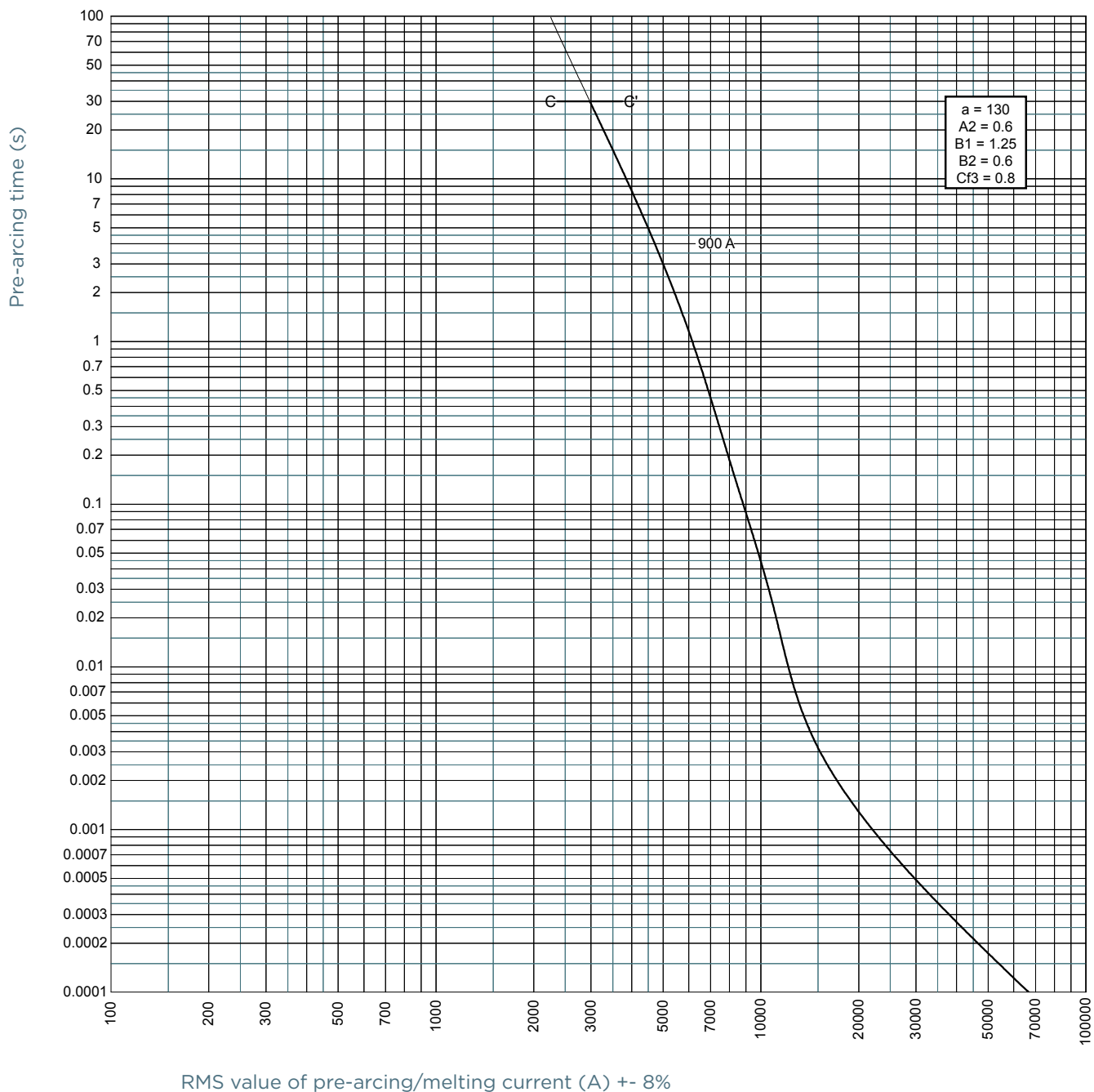
### size 71 aR 750V 1000A



MERSEN reserves the right to change, update or correct, without notice, any information contained in this datasheet.

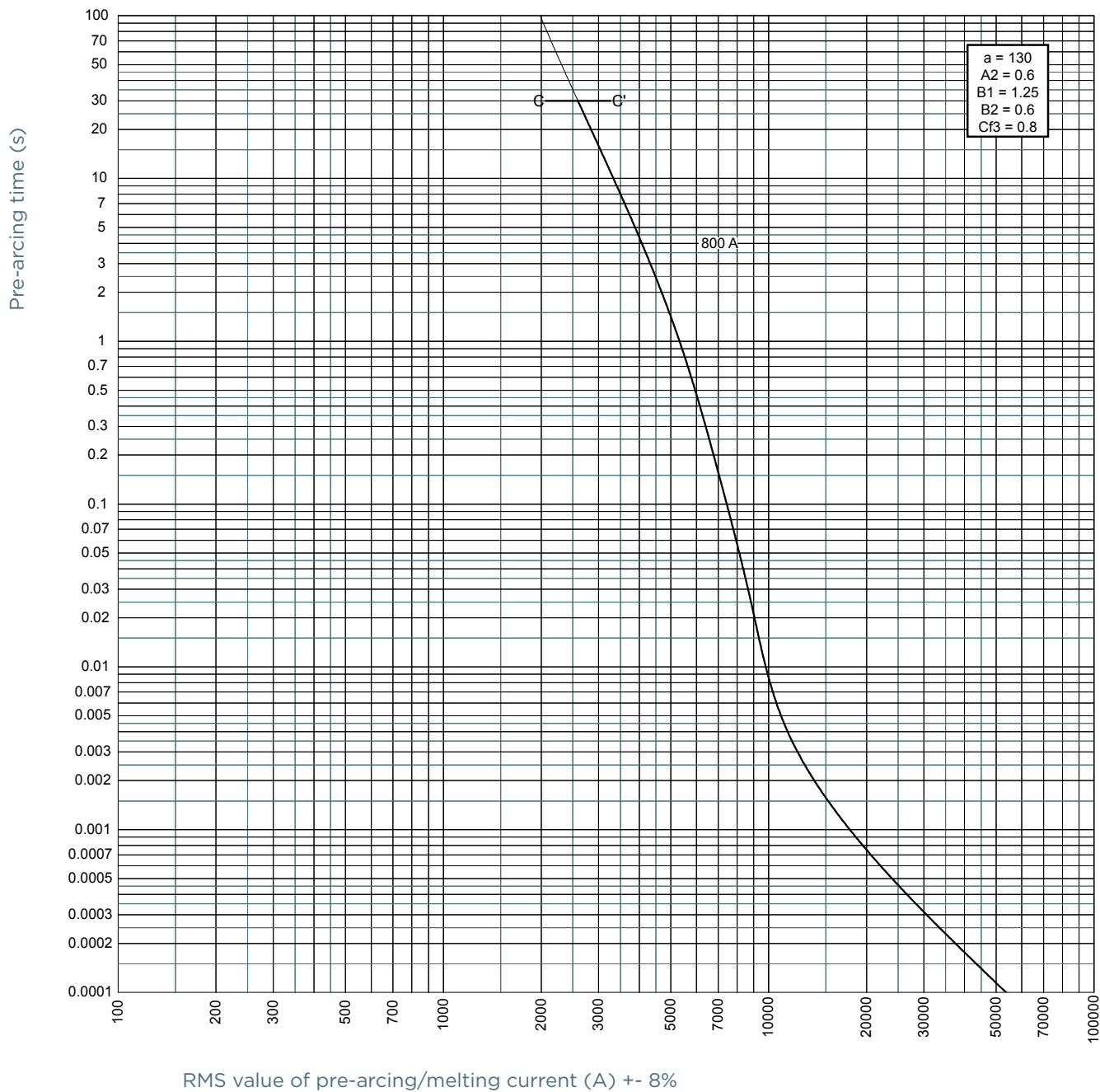
## TIME CURRENT CHARACTERISTIC CURVES

size 71 aR 800V 900A



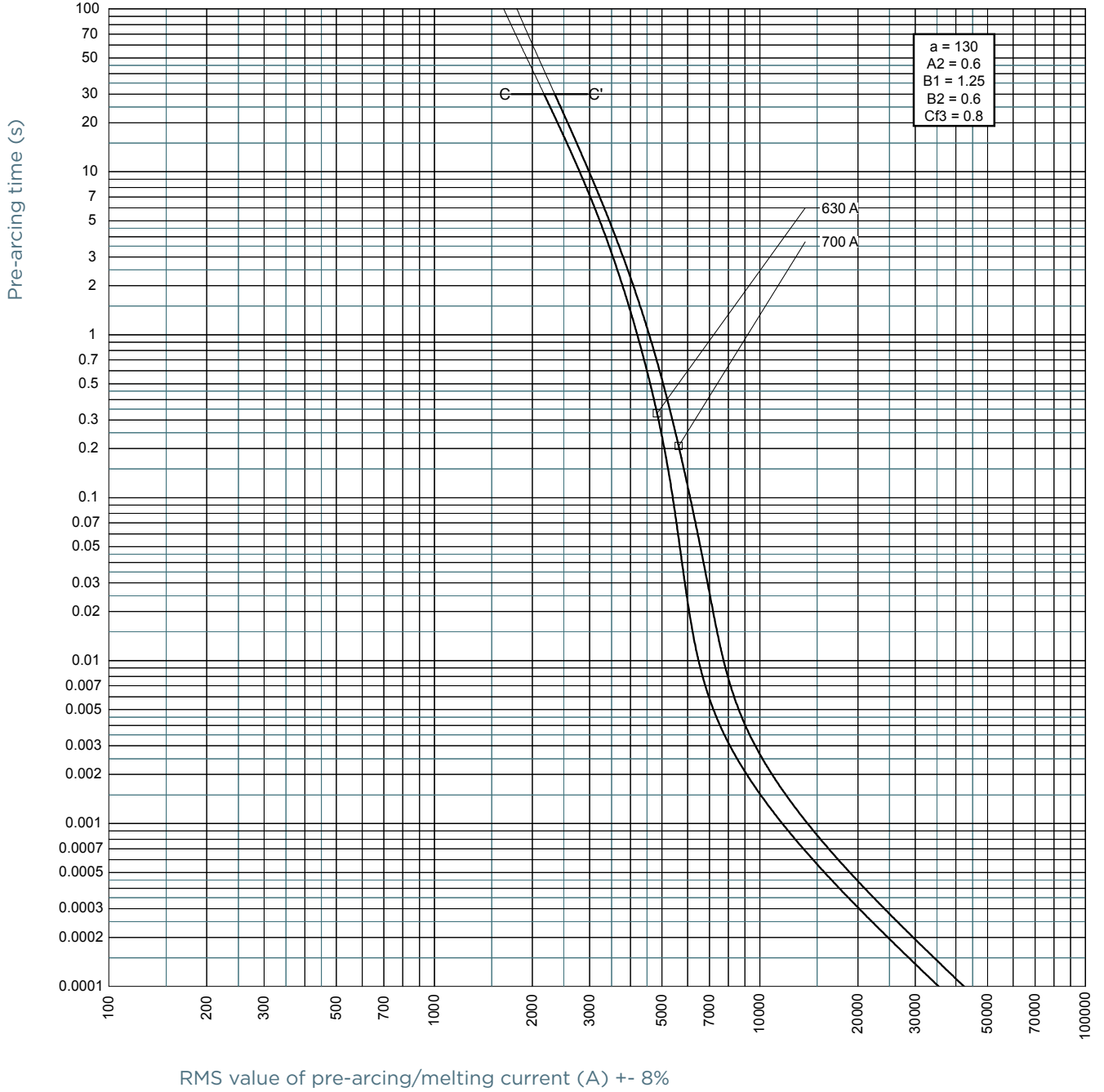
## TIME CURRENT CHARACTERISTIC CURVES

size 71 aR 900V 800A



TIME CURRENT CHARACTERISTIC CURVES

size 71 aR 1000V 630-700A

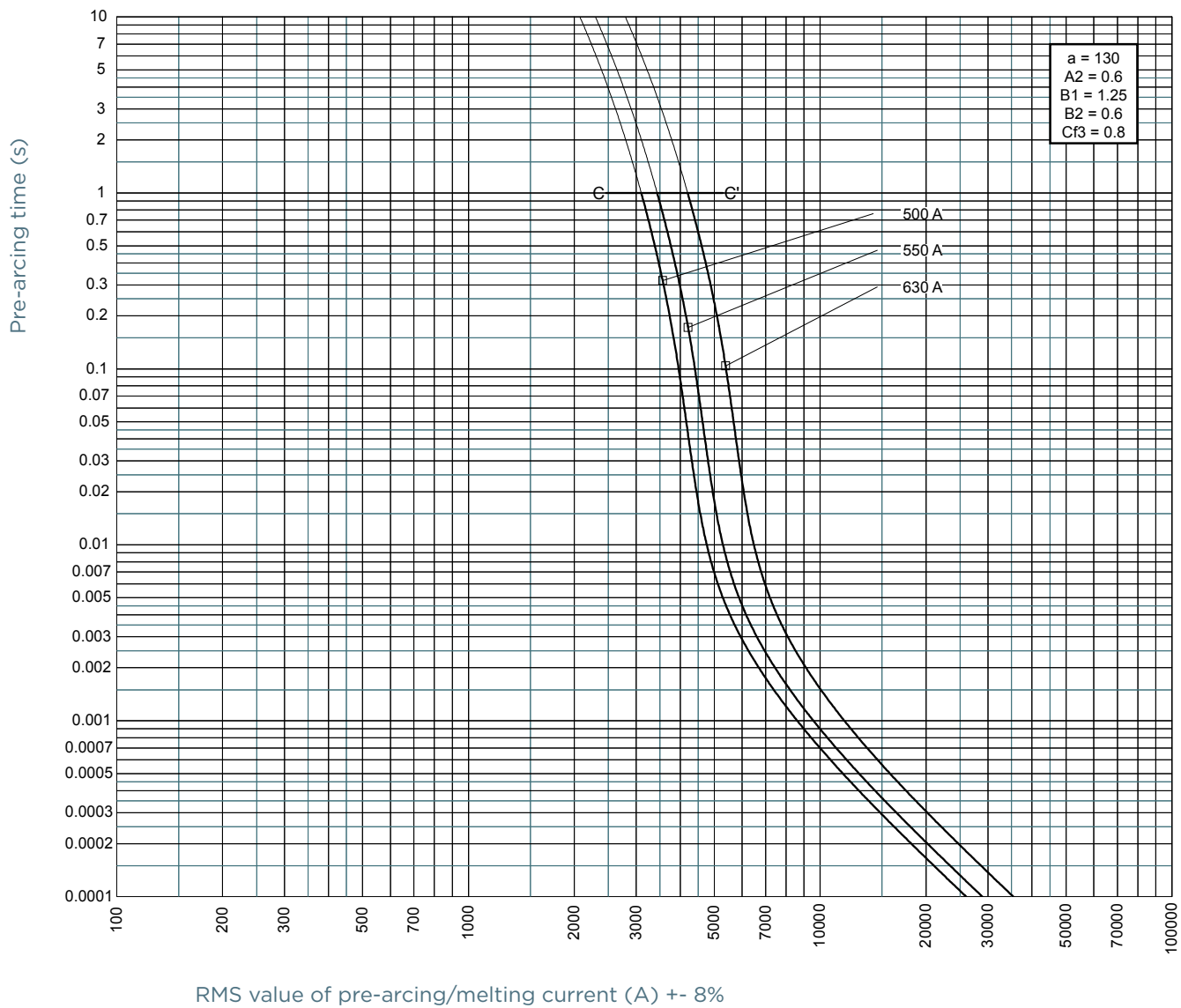


MERSEN reserves the right to change, update or correct, without notice, any information contained in this datasheet.



## TIME CURRENT CHARACTERISTIC CURVES

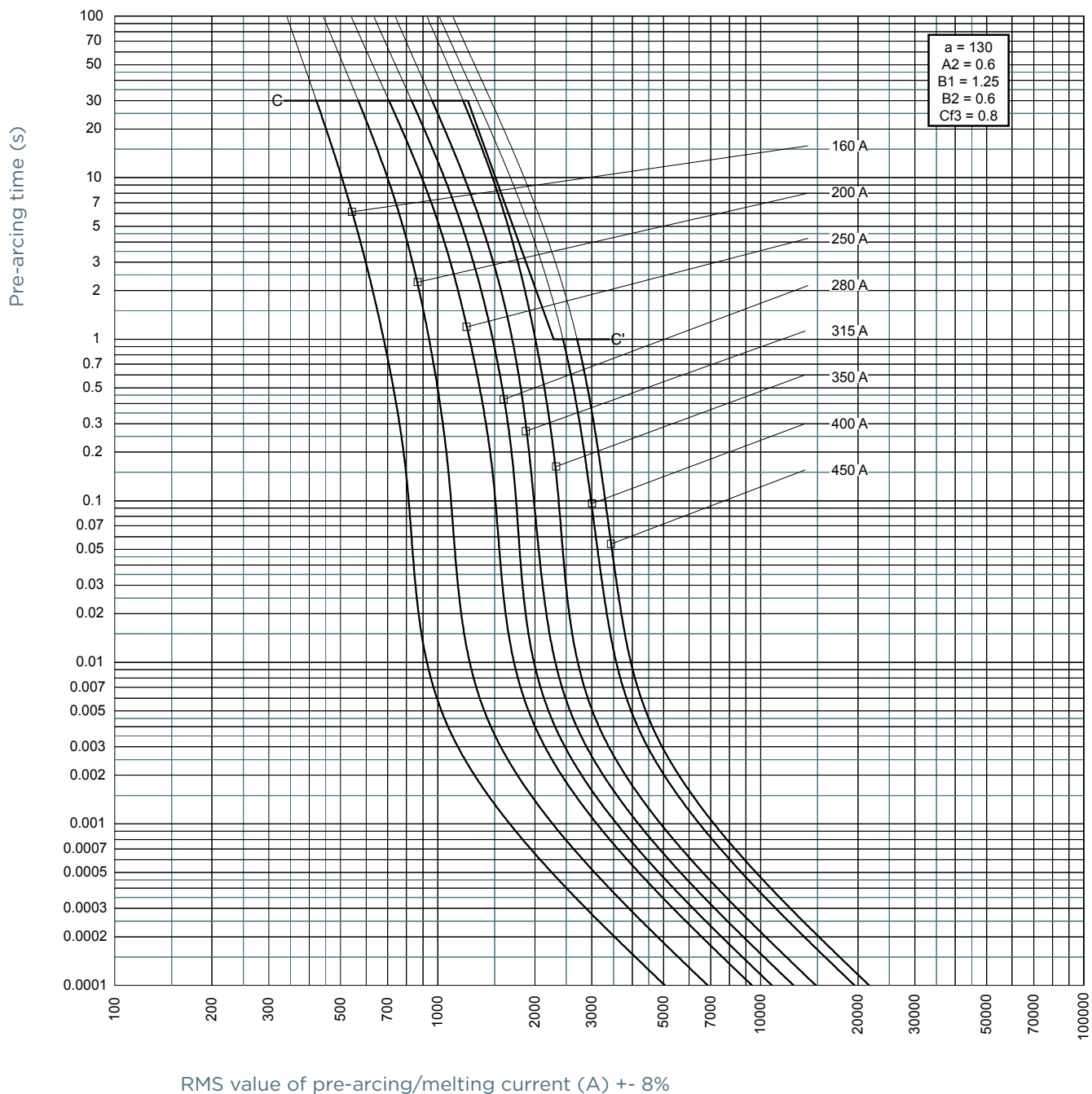
size 71 aR 1100V 500-630A



MERSEN reserves the right to change, update or correct, without notice, any information contained in this datasheet.

## TIME CURRENT CHARACTERISTIC CURVES

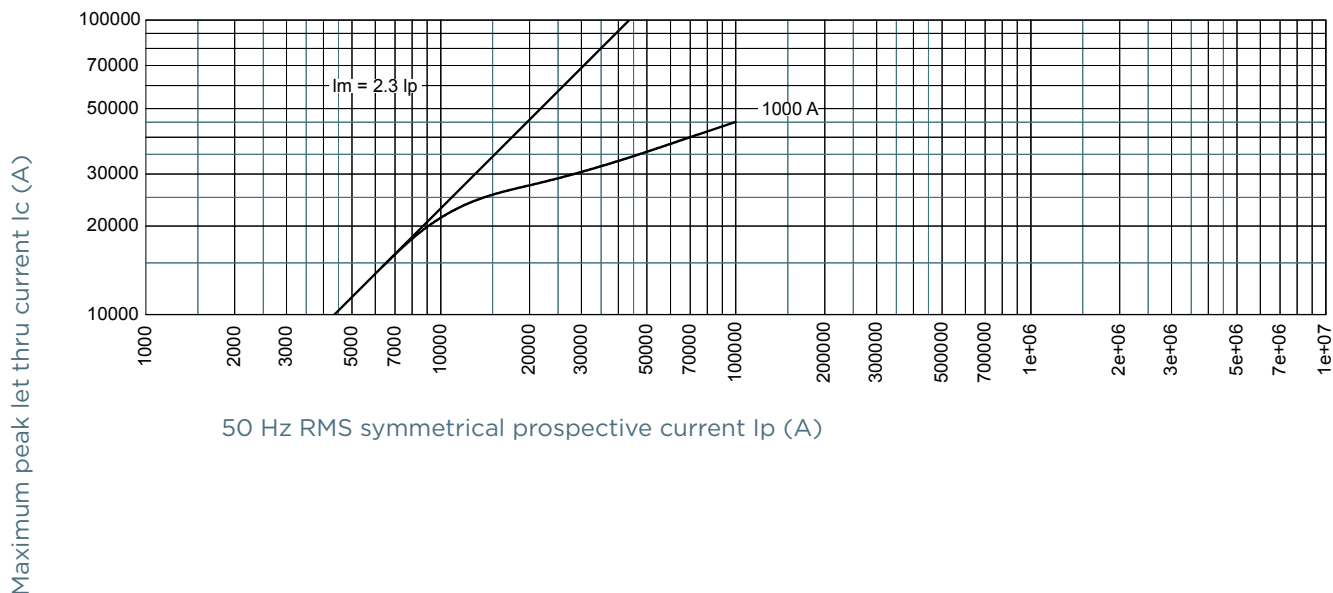
size 71 aR 1250V 160-450A



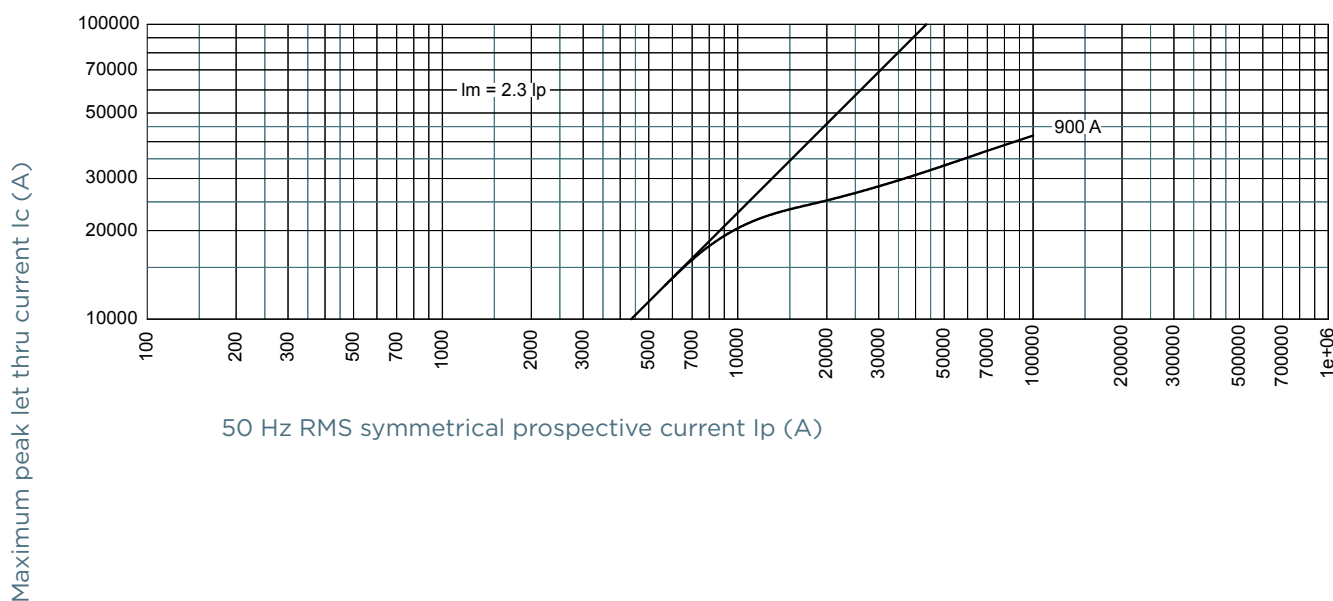
MERSEN reserves the right to change, update or correct, without notice, any information contained in this datasheet.

## CUT-OFF CURRENT CHARACTERISTIC

### size 71 aR 750V 1000A

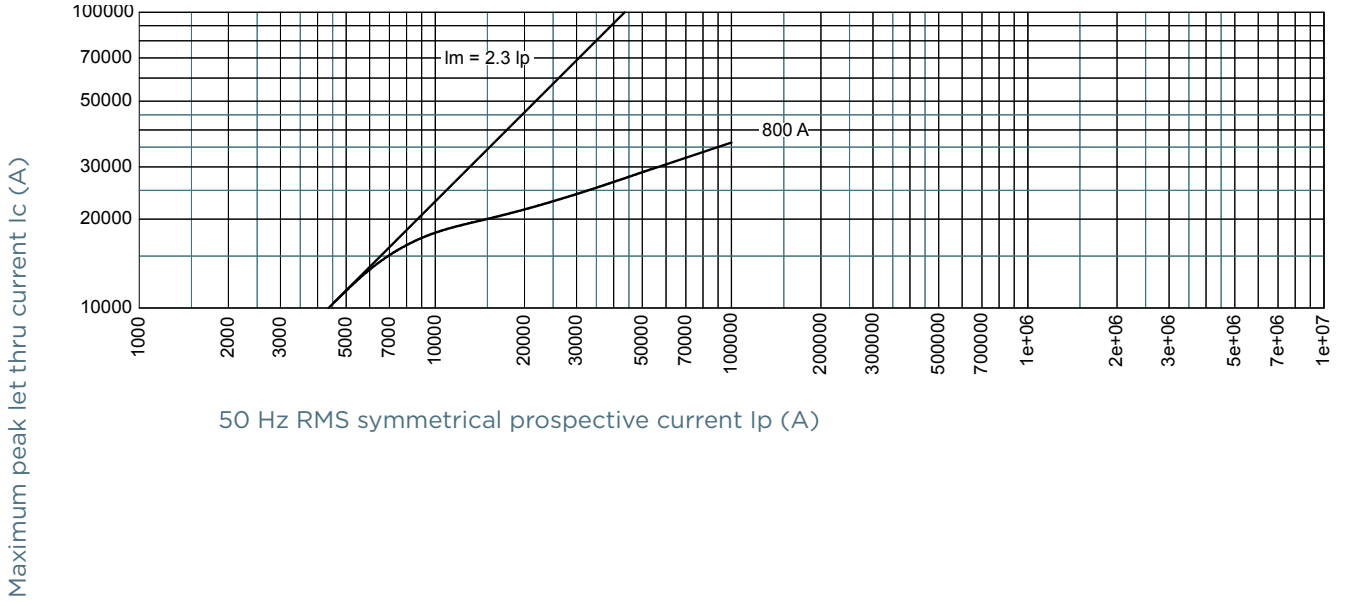


### size 71 aR 800V 900A

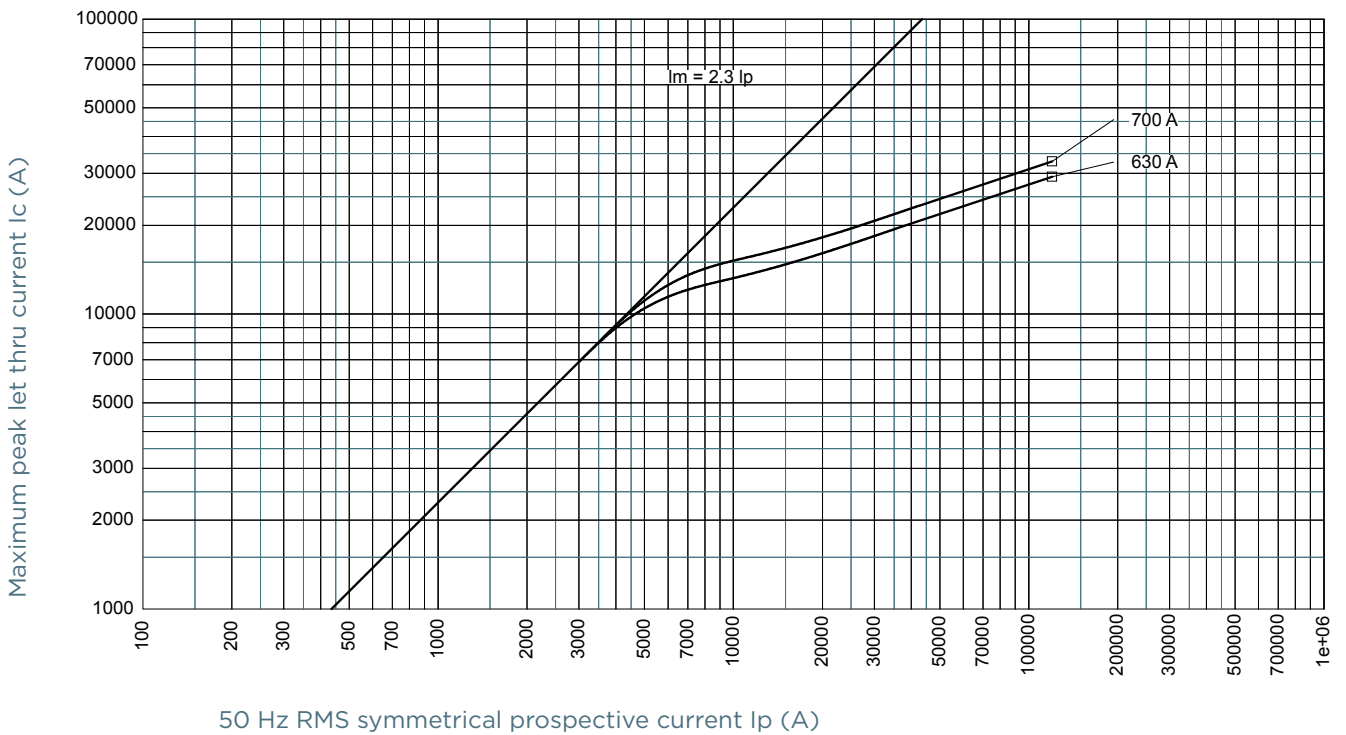


CUT-OFF CURRENT CHARACTERISTIC

size 71 aR 900V 800A

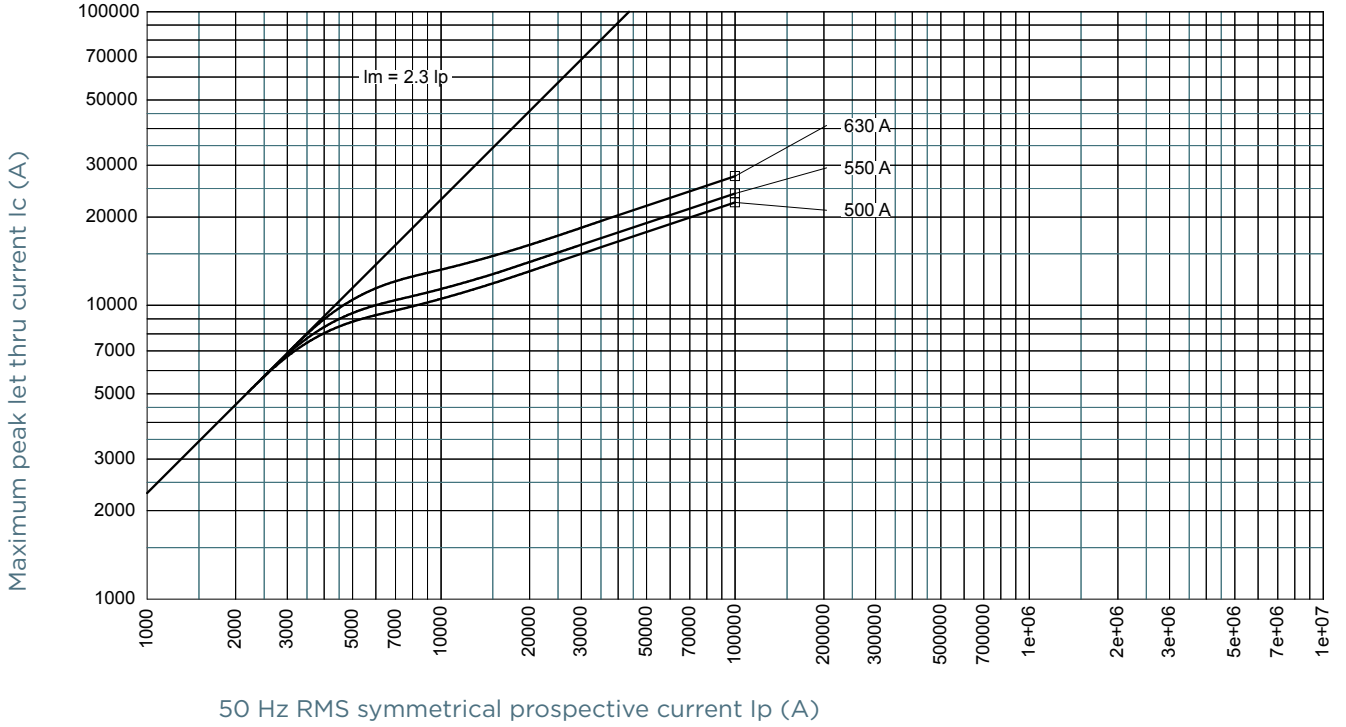


size 71 aR 1000V 630-700A

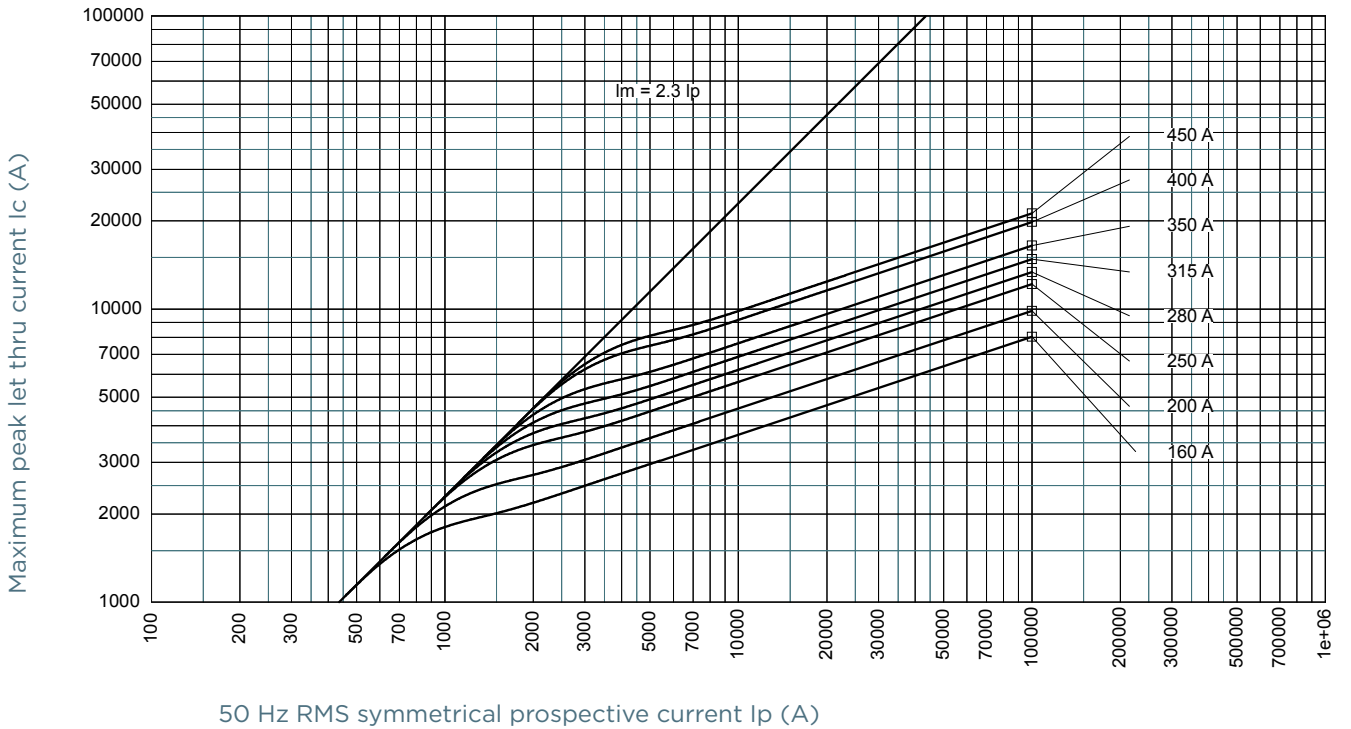


CUT-OFF CURRENT CHARACTERISTIC

size 71 aR 1100V 500-630A



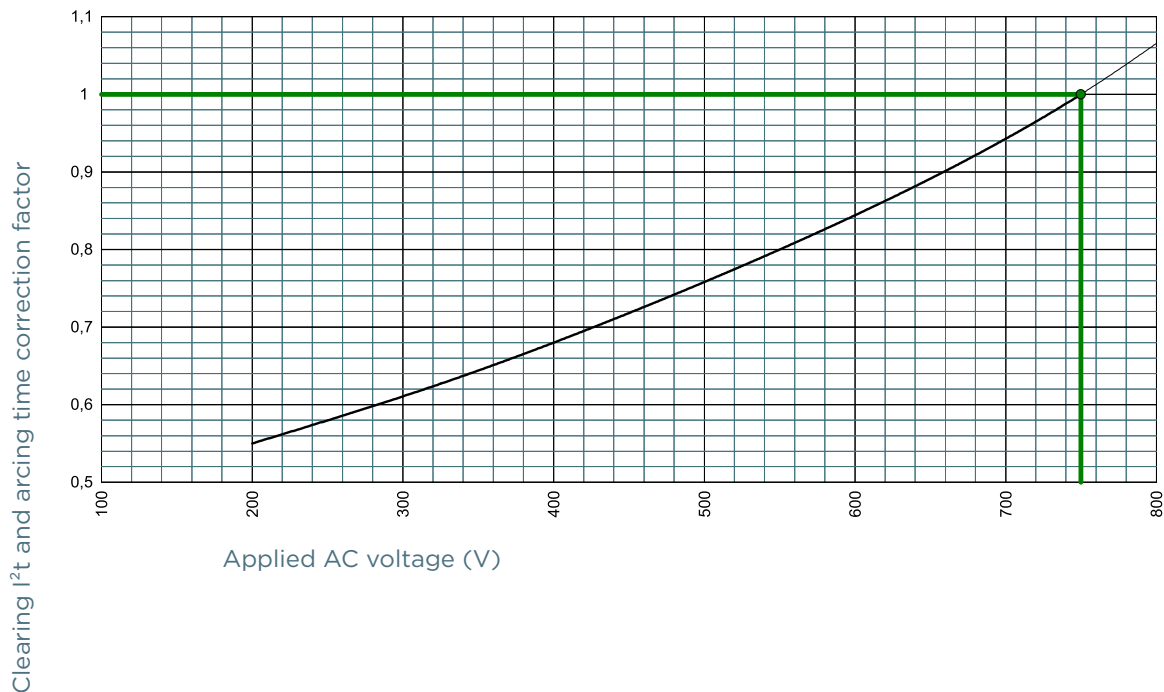
size 71 aR 1250V 160-450A



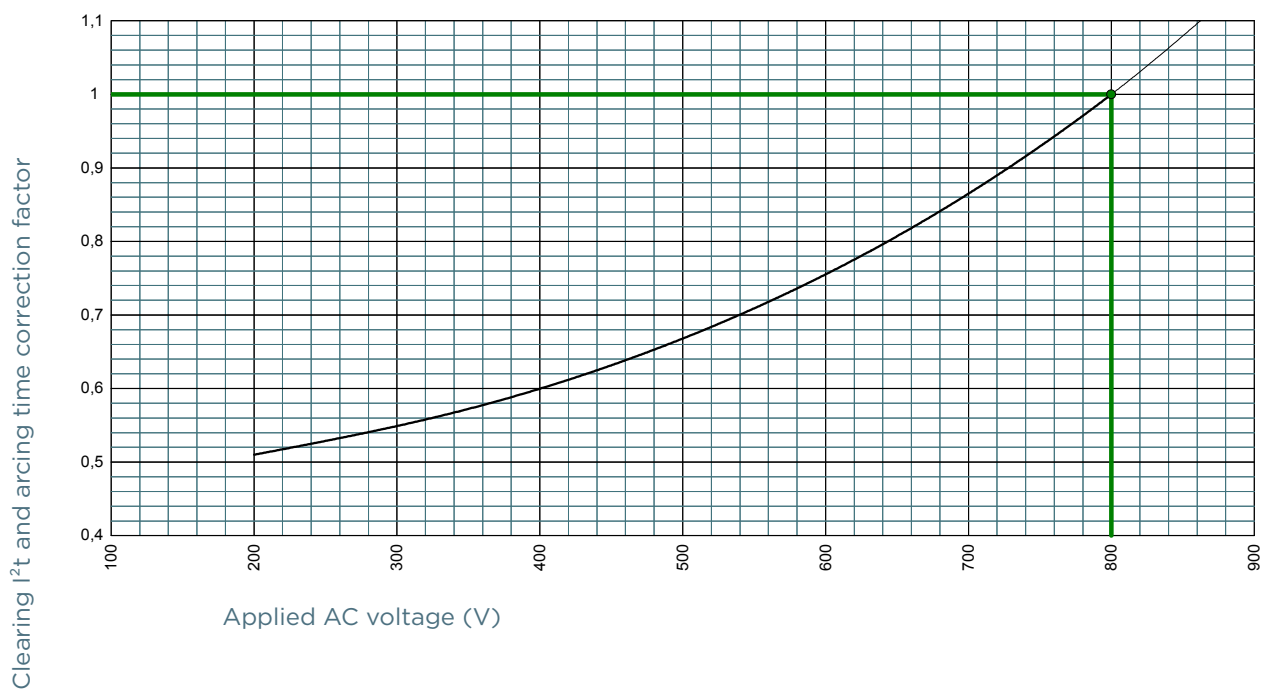
MERSEN reserves the right to change, update or correct, without notice, any information contained in this datasheet.

## I<sup>2</sup>T MULTIPLIER COEFFICIENT

### Size 71 aR 750V

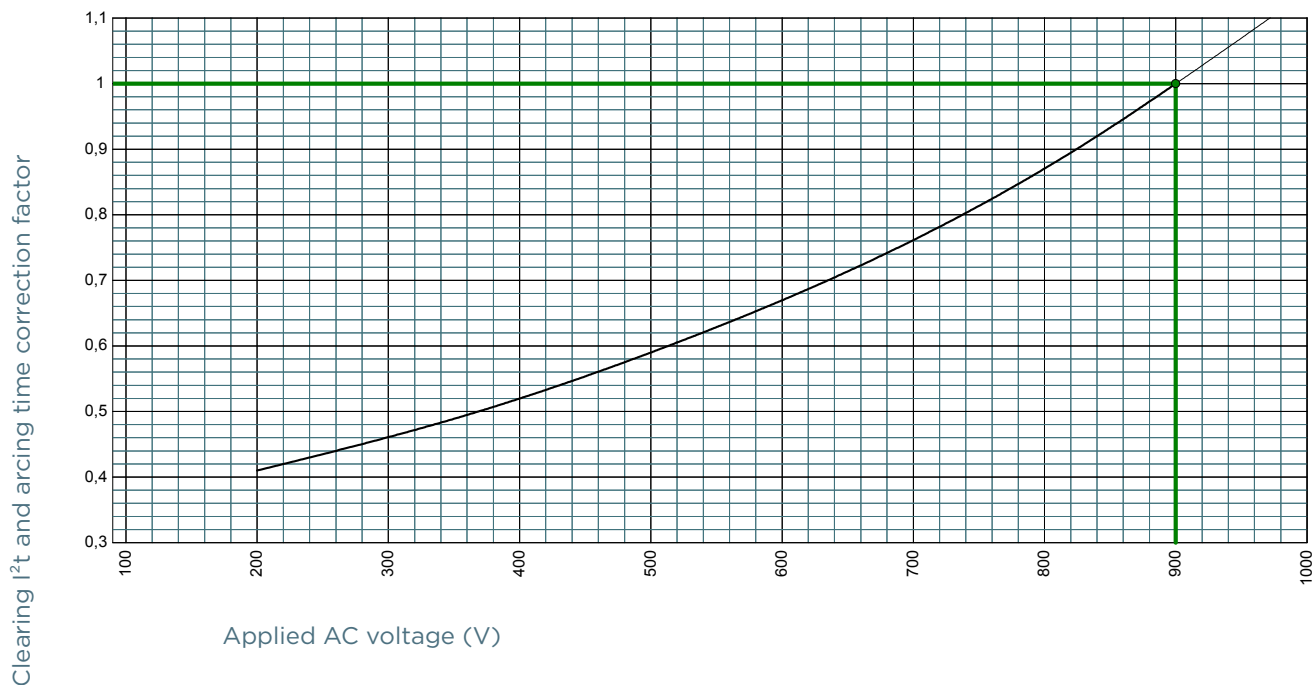


### Size 71 aR 800V

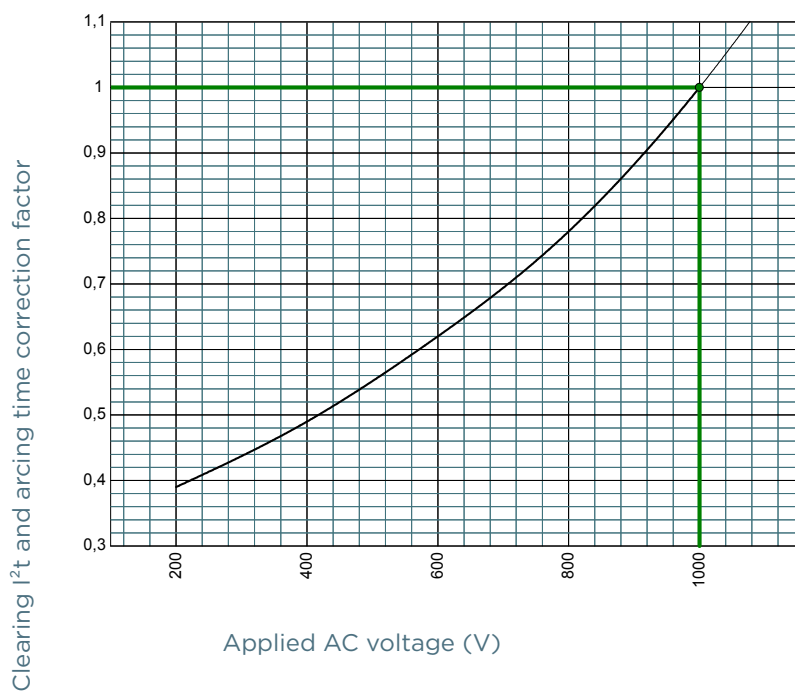


## I<sup>2</sup>T MULTIPLIER COEFFICIENT

### Size 71 aR 900V

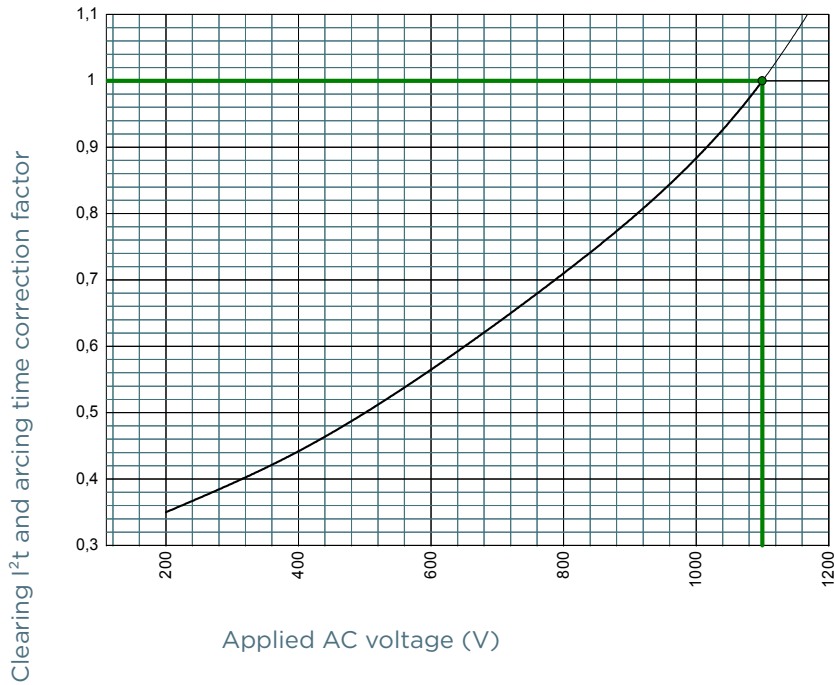


### Size 71 aR 1000V

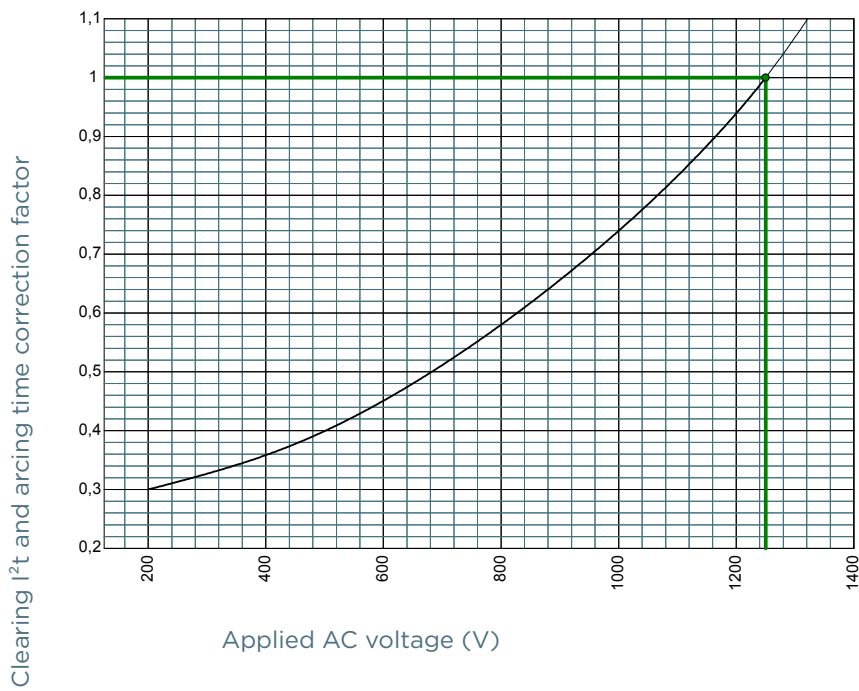


## I<sup>2</sup>T MULTIPLIER COEFFICIENT

### Size 71 aR 1100V



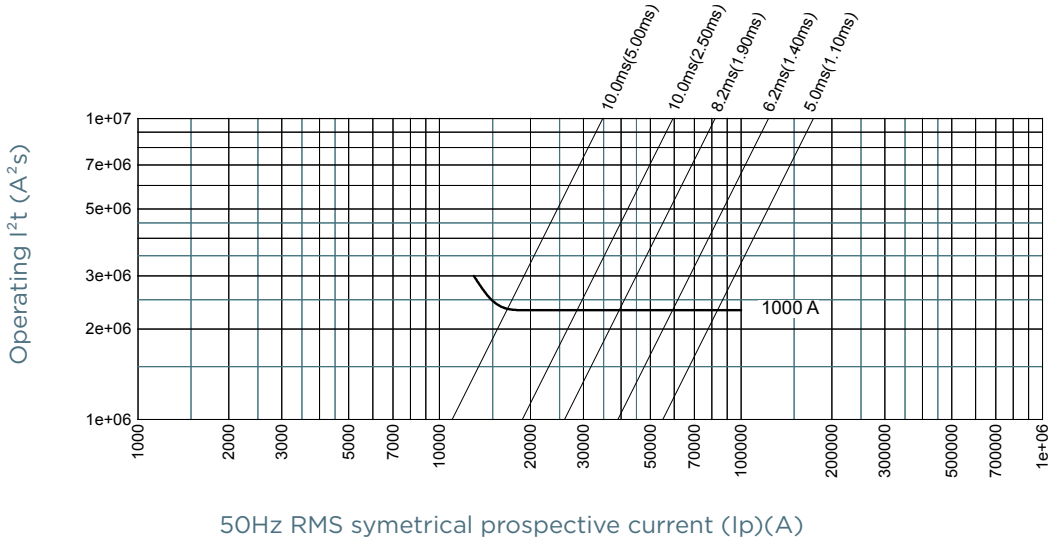
### Size 71 aR 1250V



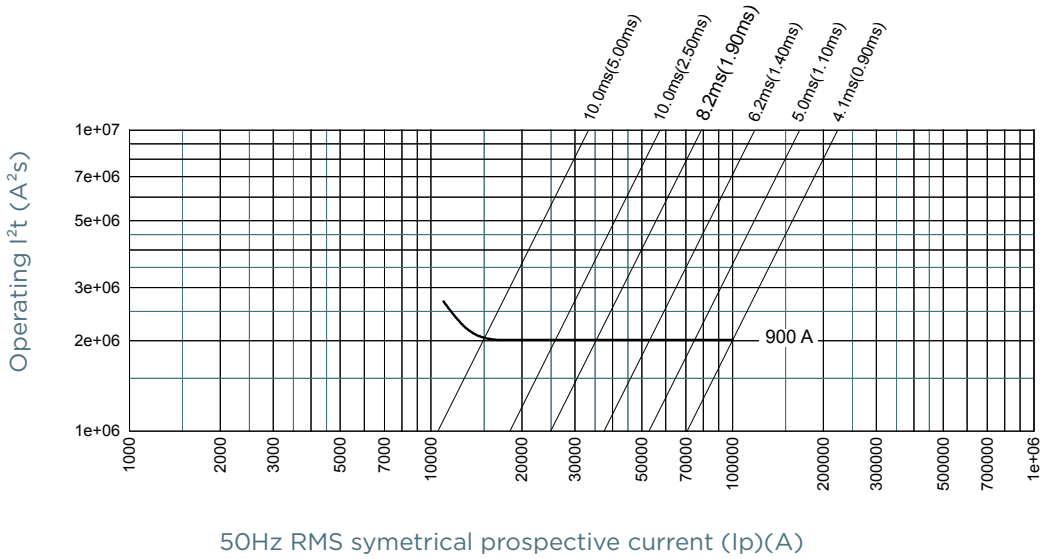


CHARACTERISTICS TOTAL I<sup>2</sup>T CURVE

Size 71 aR 750V

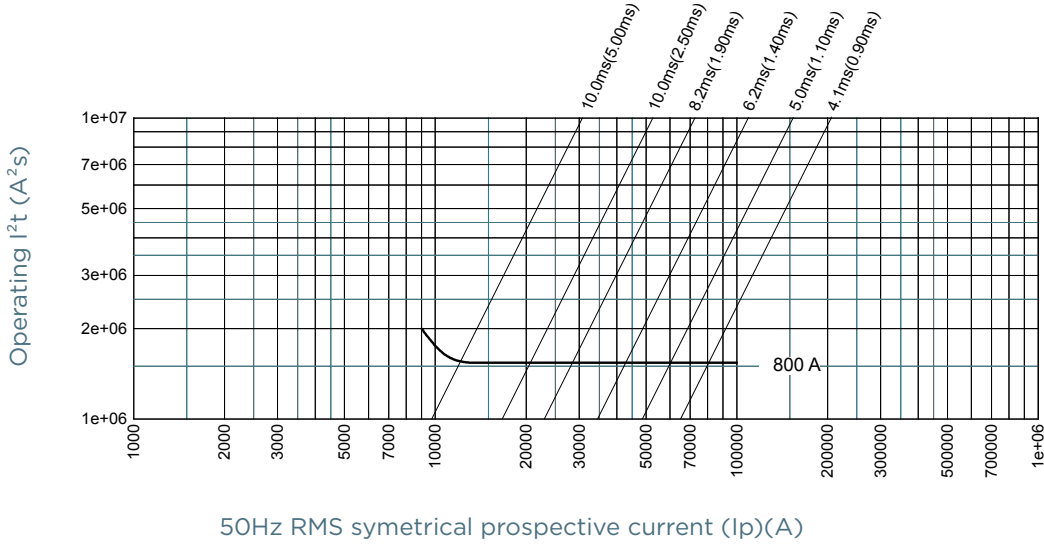


Size 71 aR 800V

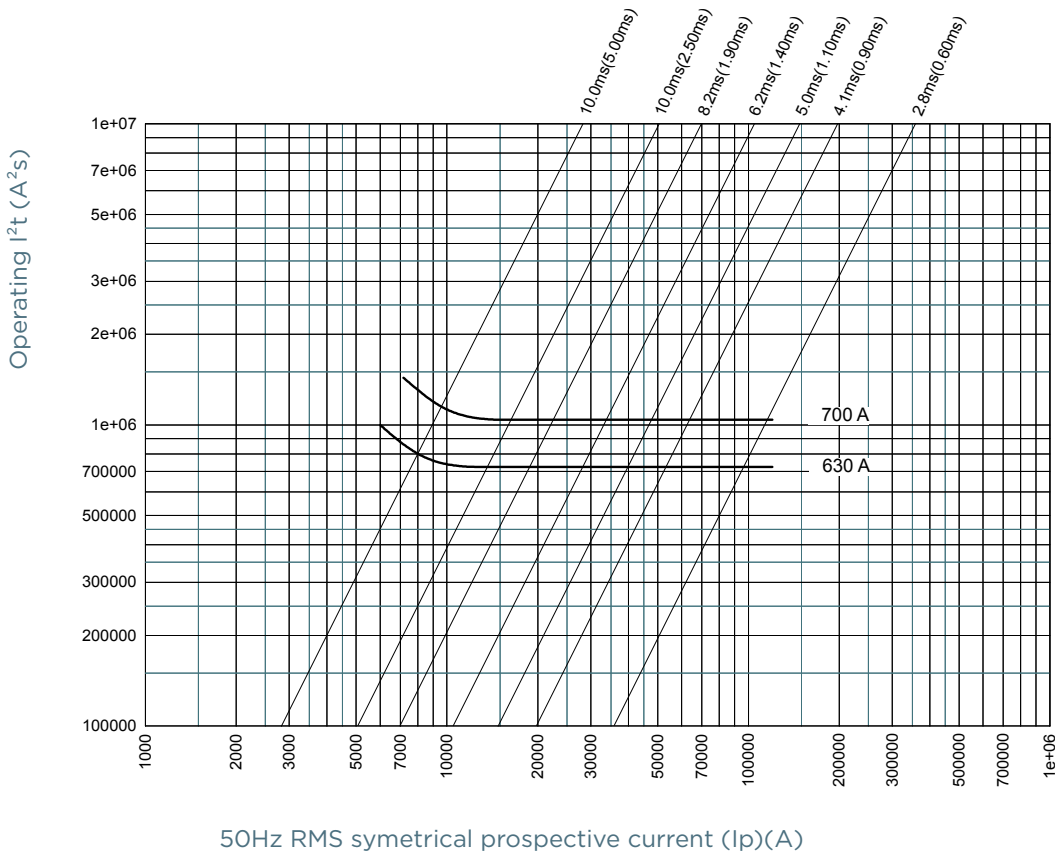


CHARACTERISTICS TOTAL I<sup>2</sup>T CURVE

Size 71 aR 900V

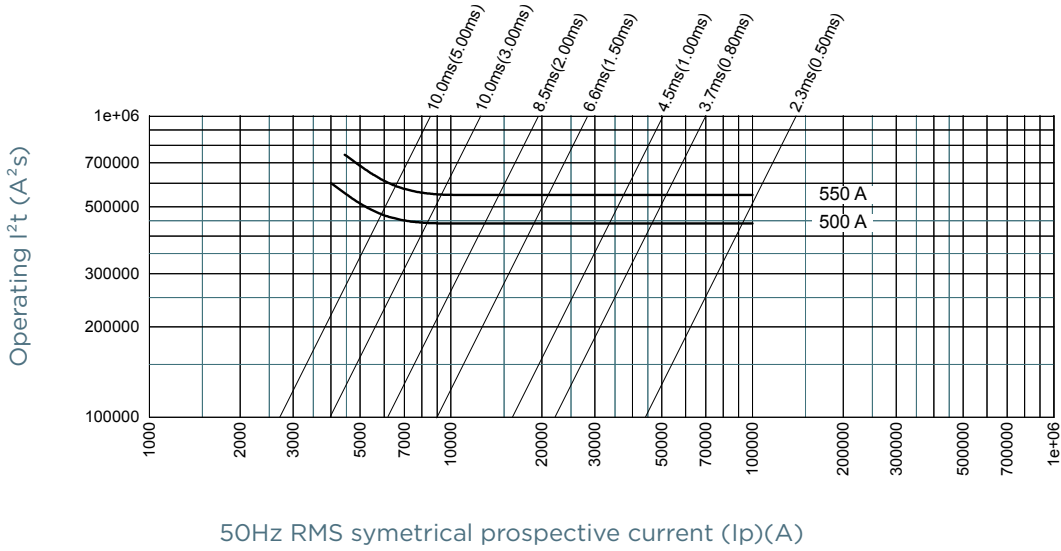


Size 71 aR 1000V

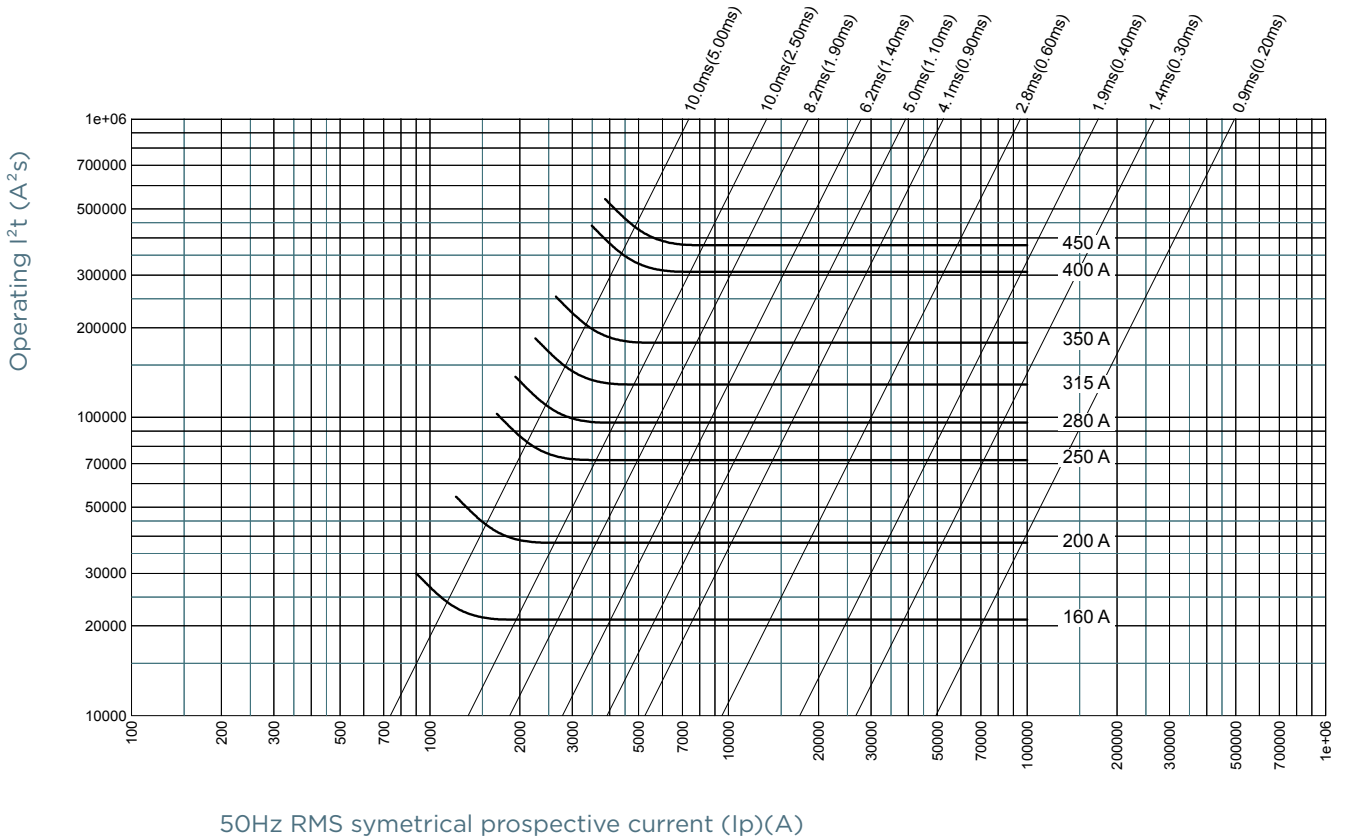


CHARACTERISTICS TOTAL I<sup>2</sup>T CURVE

Size 71 aR 1100V

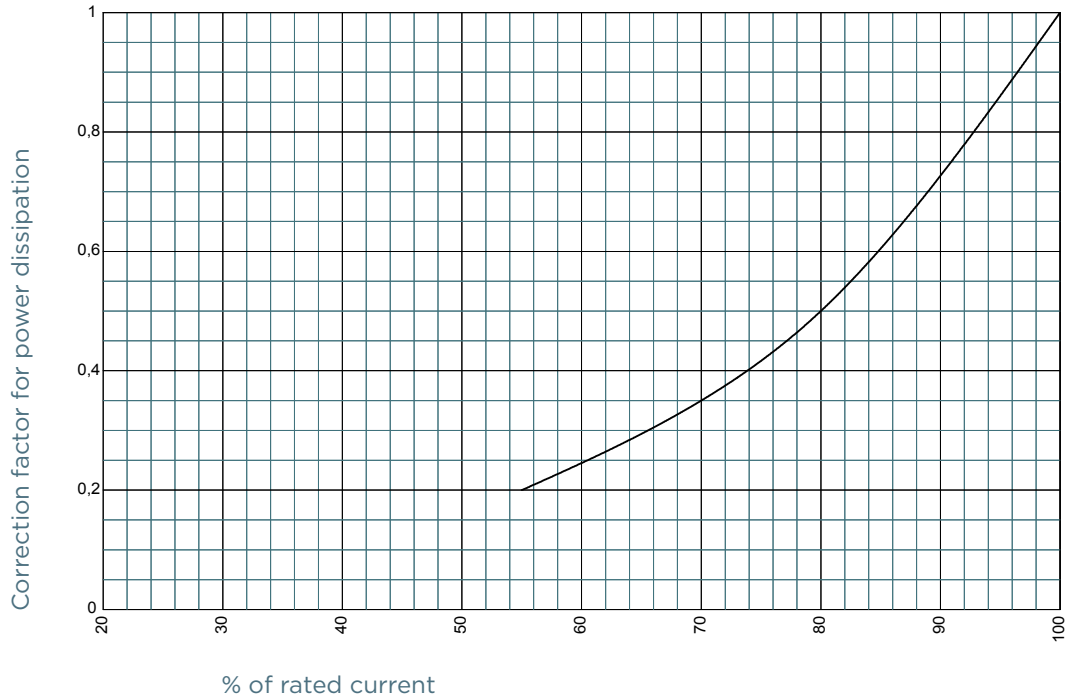


Size 71 aR 1250V

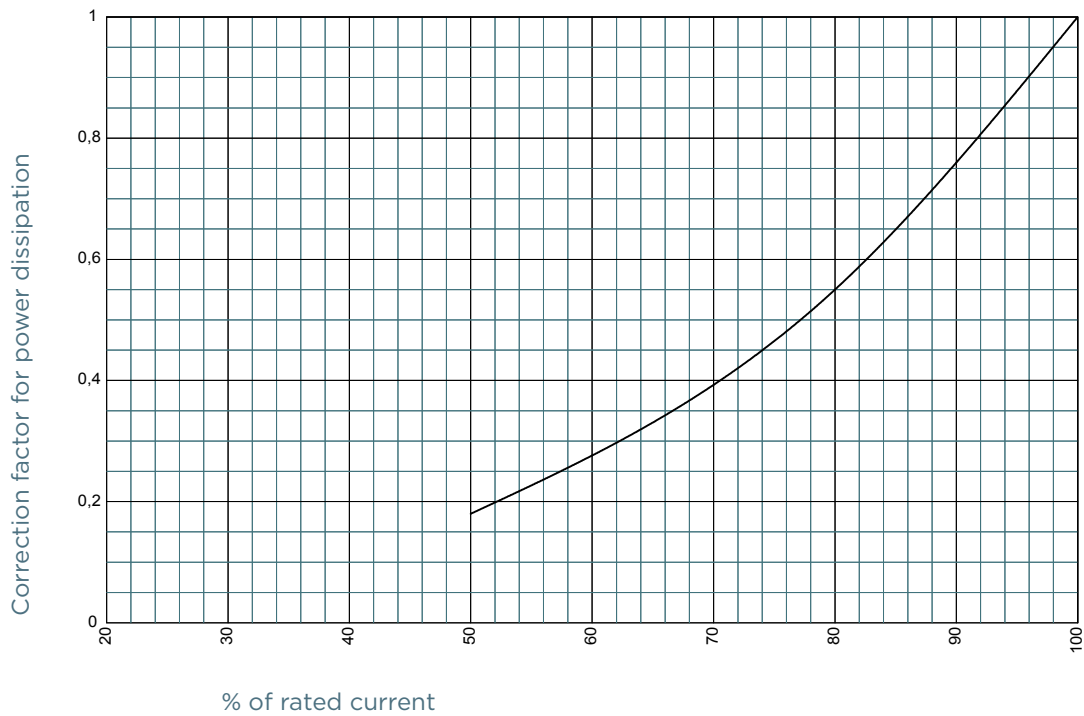


## POWER DISSIPATION

### Size 71 aR 500-1000A

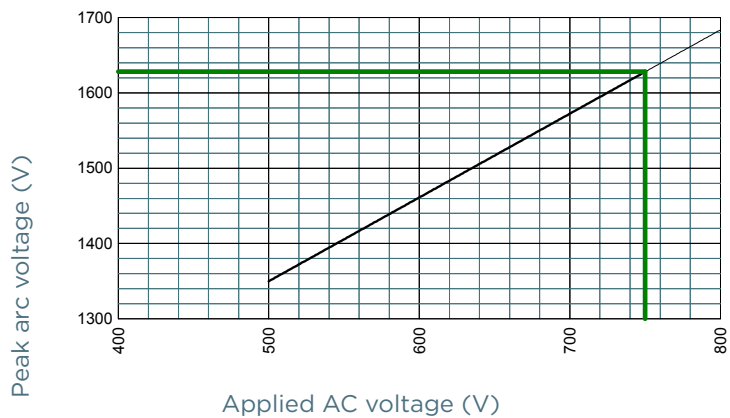


### Size 71 aR 160-450A

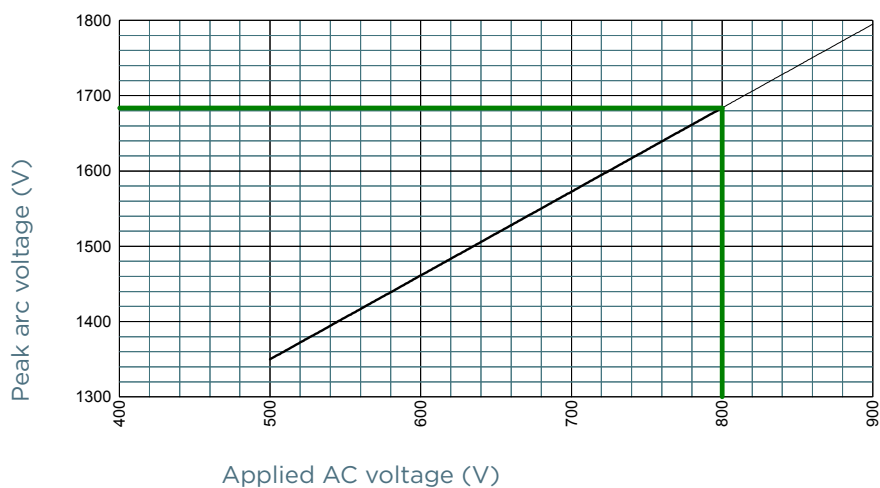


## PEAK ARC VOLTAGE

### Size 71 aR 750V

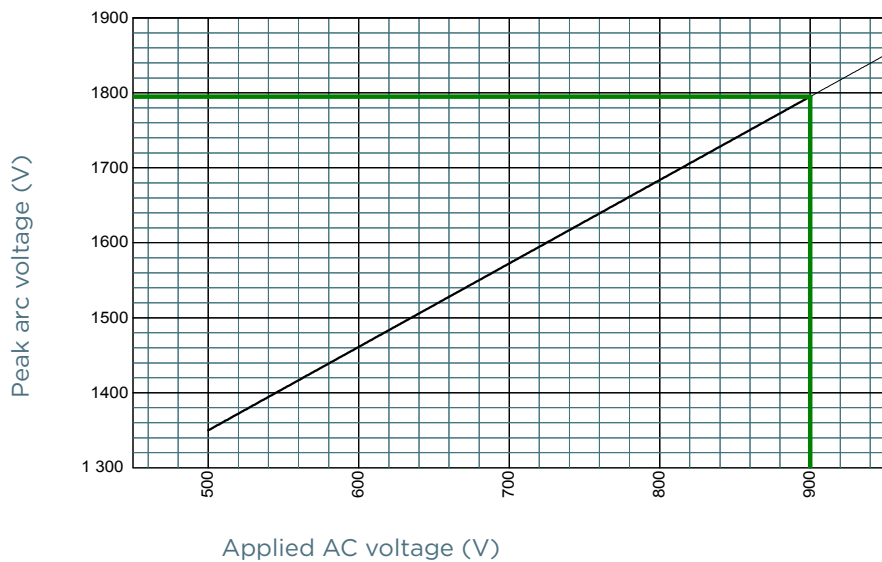


### Size 71 aR 800V

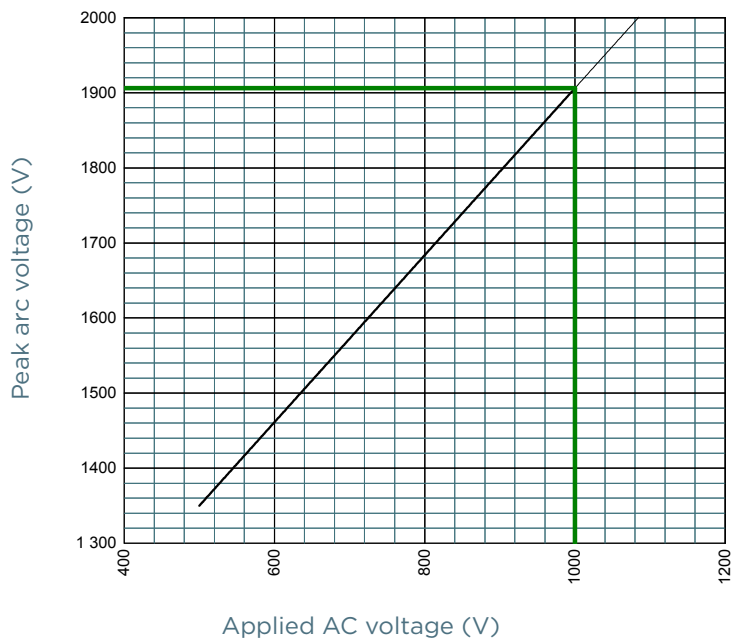


## PEAK ARC VOLTAGE

### Size 71 aR 900V

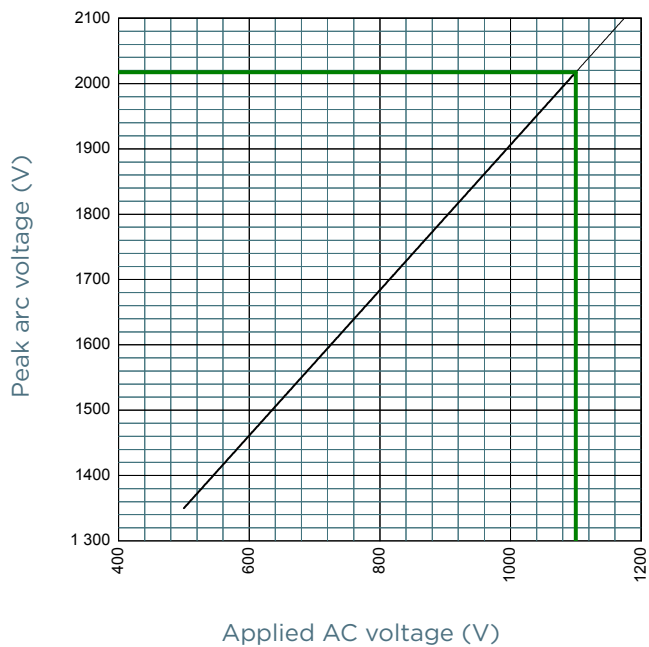


### Size 71 aR 1000V

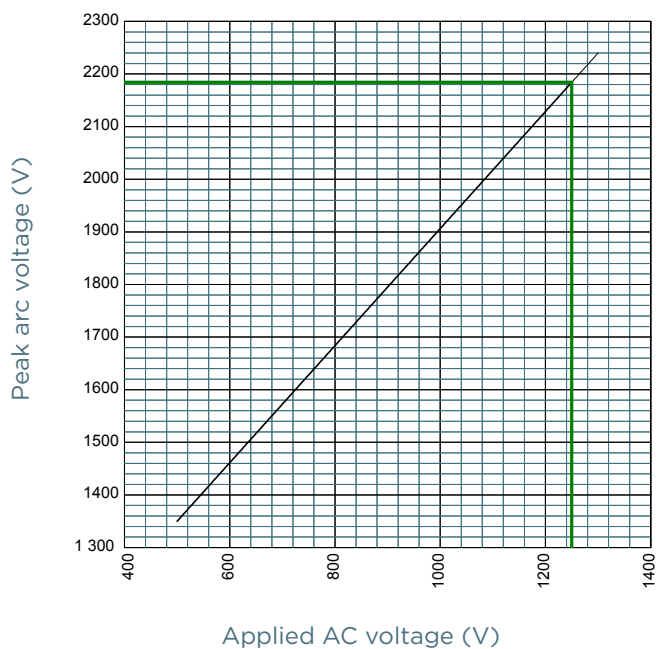


## PEAK ARC VOLTAGE

### Size 71 aR 1100V



### Size 71 aR 1250V

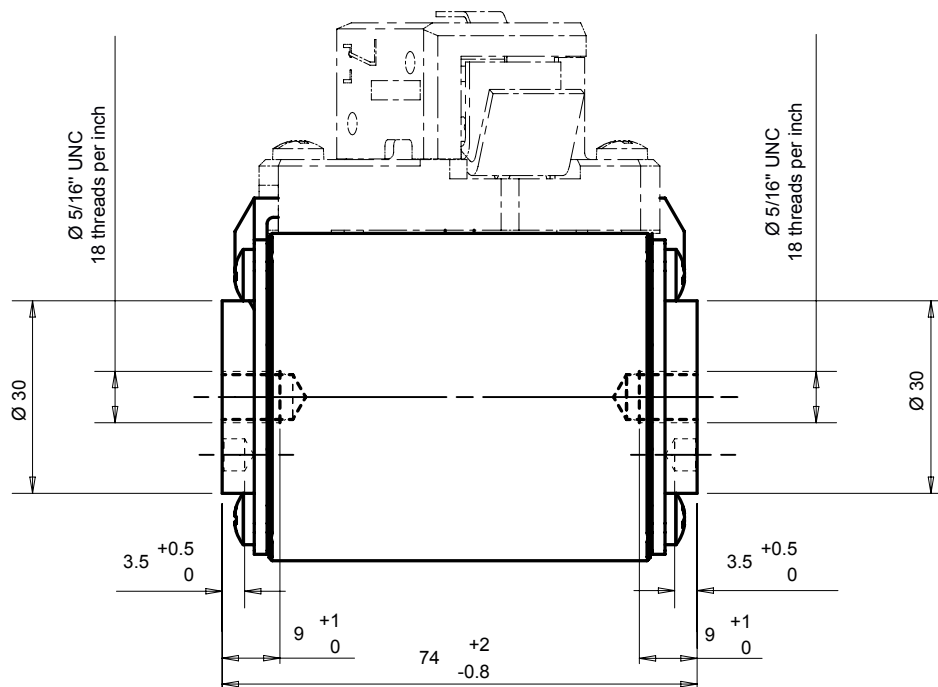


# Protistor® size 71 aR

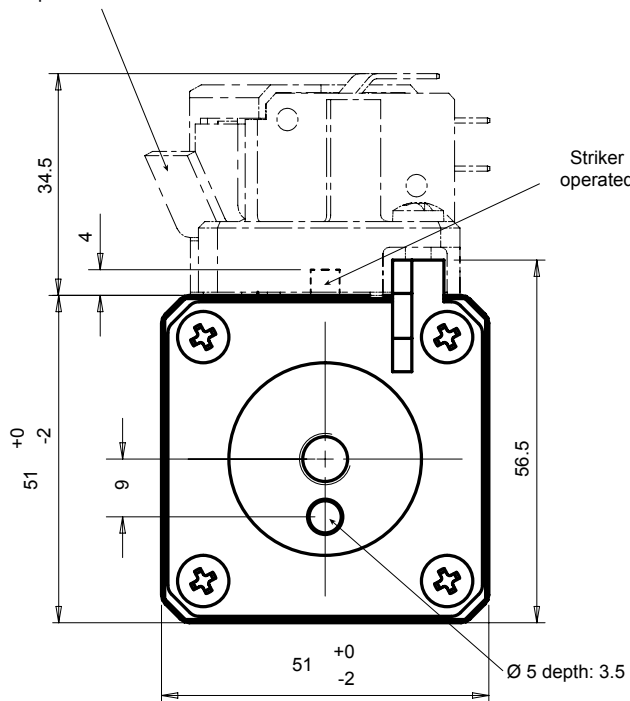
750 to 1250VAC (IEC) / 1300VAC (UL)

## DIMENSIONS

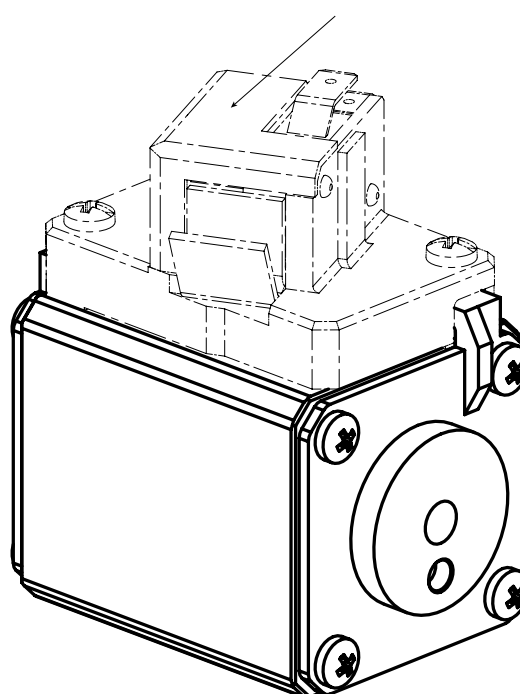
size 71 aR type TTI (109498\_C)



Indicator lever visible after operation of fuse



Microswitch



Dimensions in mm

MERSEN reserves the right to change, update or correct, without notice, any information contained in this datasheet.

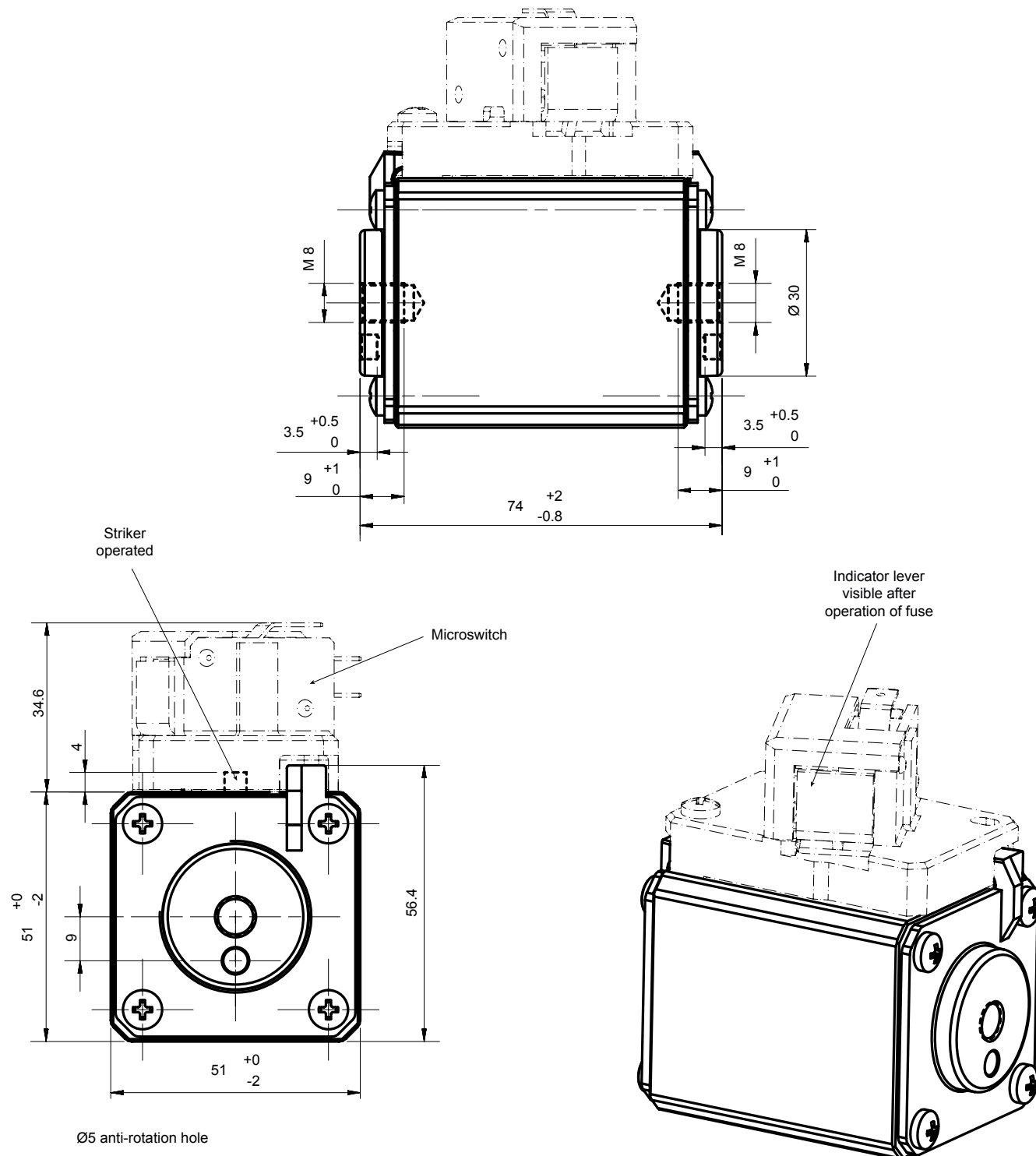


# Protistor® size 71 aR

750 to 1250VAC (IEC) / 1300VAC (UL)

## DIMENSIONS

size 71 aR type TTF (105699-C)



Dimensions in mm

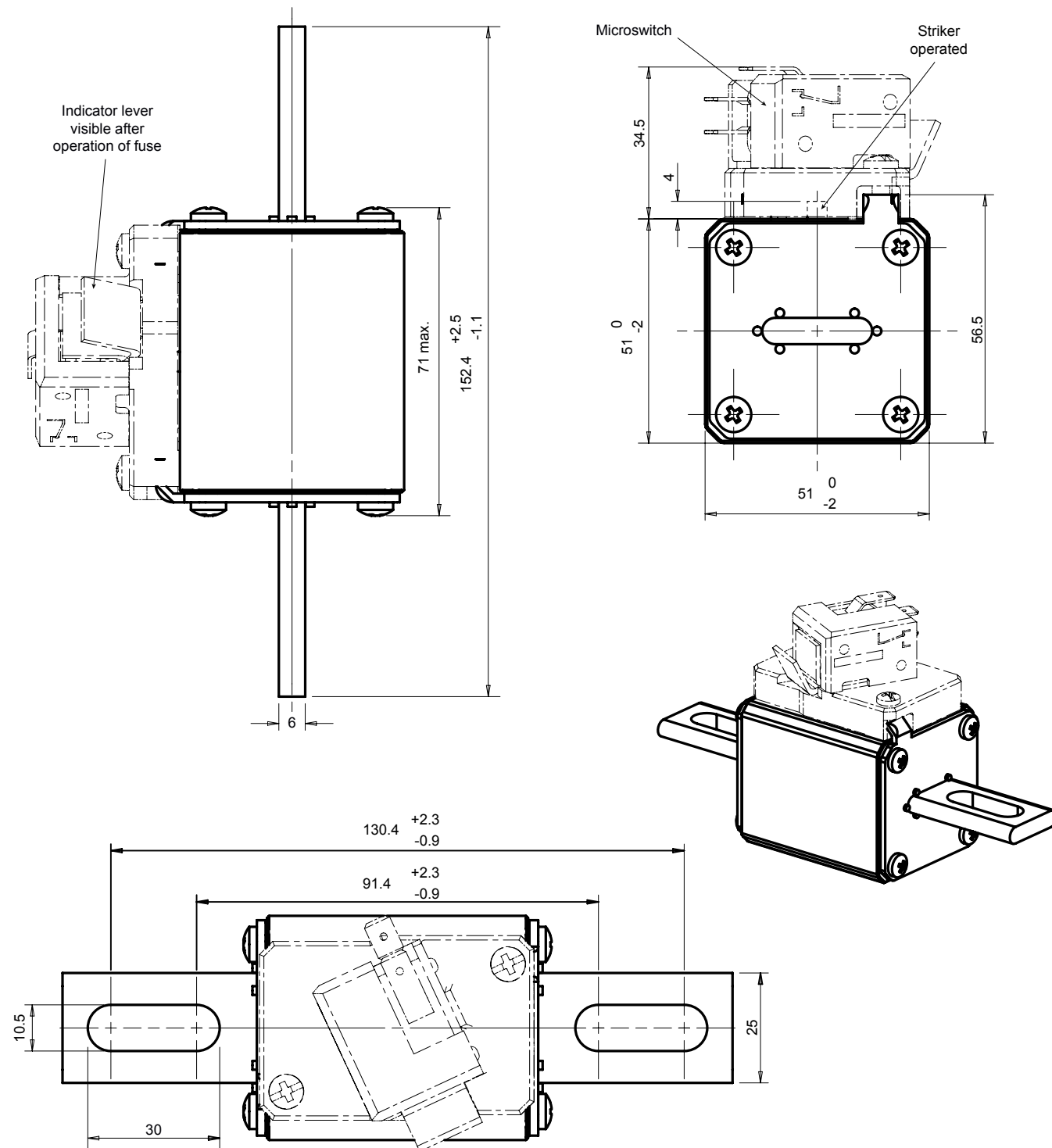
MERSEN reserves the right to change, update or correct, without notice, any information contained in this datasheet.

# Protistor® size 71 aR

750 to 1250VAC (IEC) / 1300VAC (UL)

## DIMENSIONS

size 71 aR type LLI (105922\_C)



Dimensions in mm

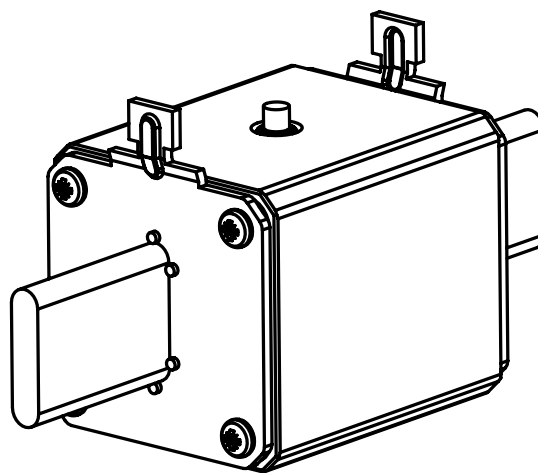
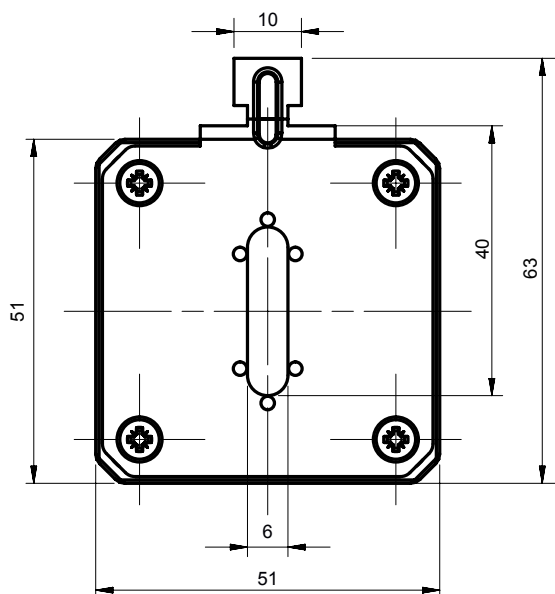
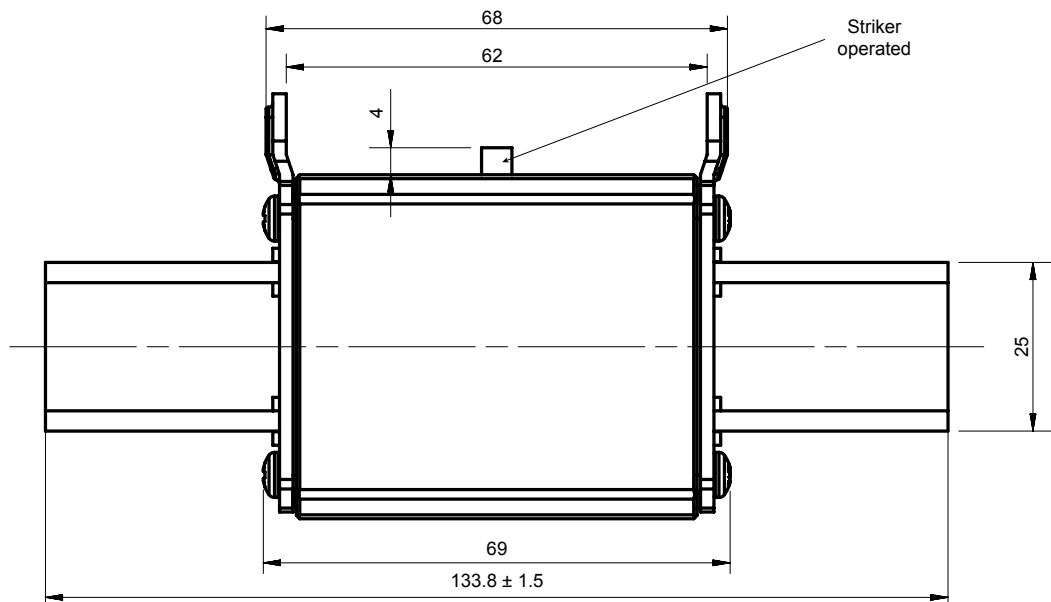
MERSEN reserves the right to change, update or correct, without notice, any information contained in this datasheet.

# Protistor® size 71 aR

750 to 1250VAC (IEC) / 1300VAC (UL)

## DIMENSIONS

size 71 aR type PA (107130\_C)



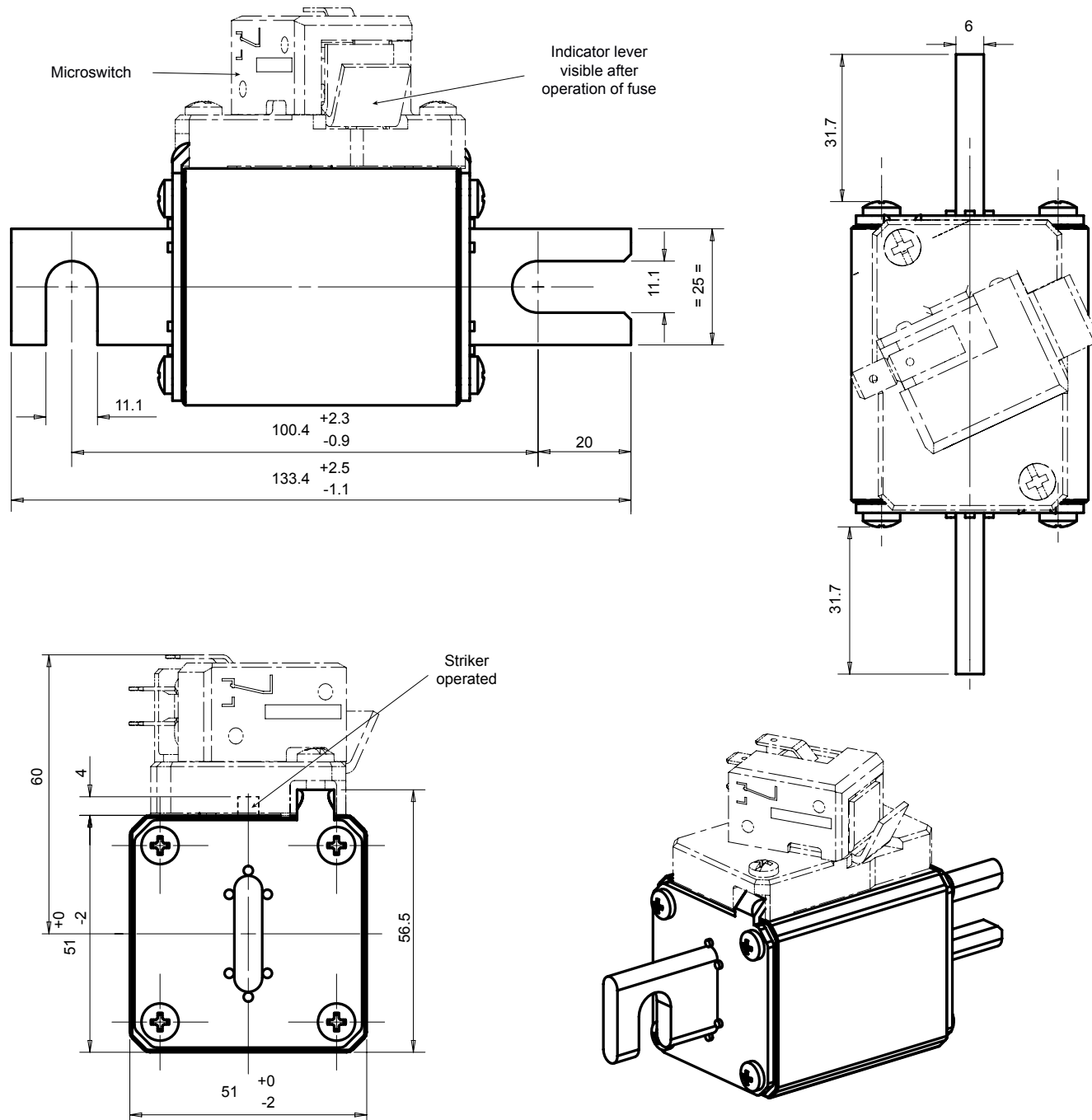
Dimensions in mm

# Protistor® size 71 aR

750 to 1250VAC (IEC) / 1300VAC (UL)

## DIMENSIONS

size 71 aR type DIN 110 (105712)



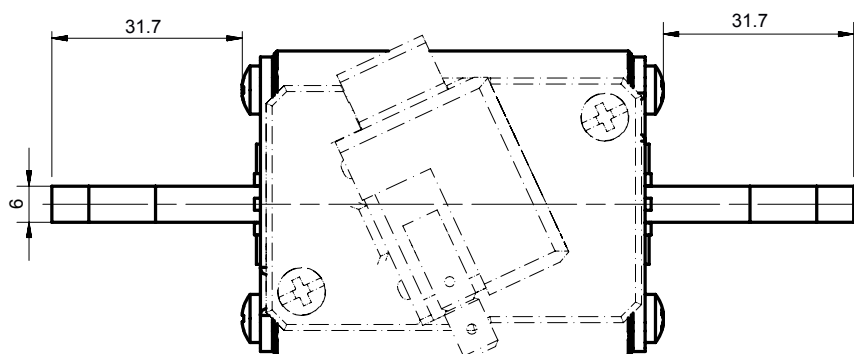
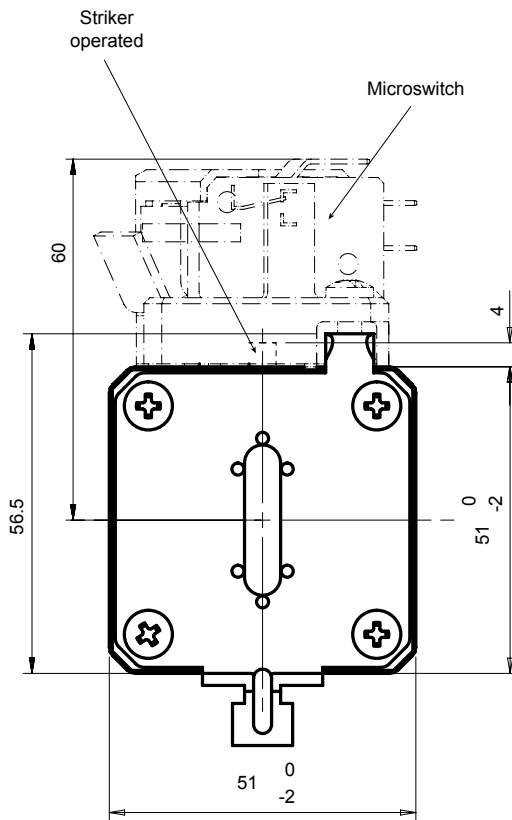
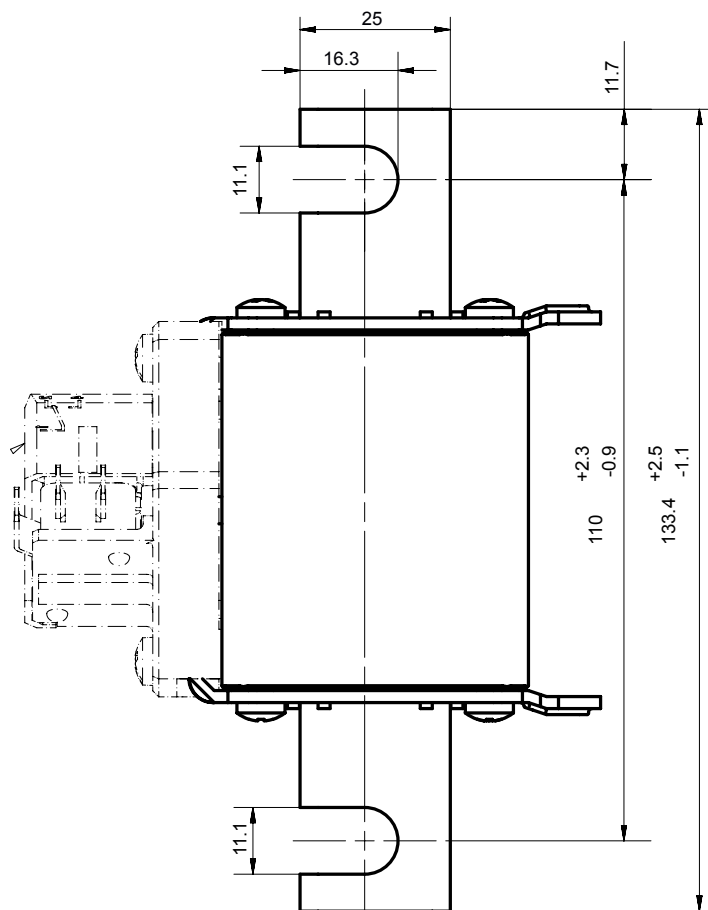
Dimensions in mm

# Protistor® size 71 aR

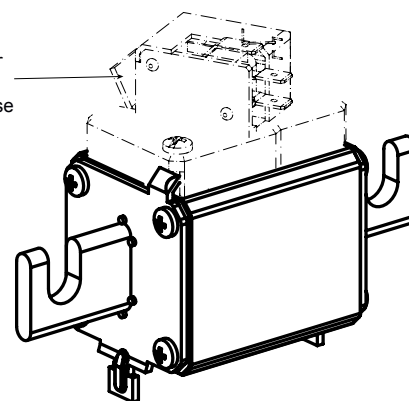
750 to 1250VAC (IEC) / 1300VAC (UL)

## DIMENSIONS

size 71 aR type EF (105880\_C)



Indicator lever  
visible after  
operation of fuse



Dimensions in mm

# Protistor® size 71 aR

750 to 1250VAC (IEC) / 1300VAC (UL)

## APPENDIX

### Index

Catalog number	Item number	Description 1	Page
PC71UD13C160TF	B300749	12,5 URD 71 TT F 0160	2
PC71UD13C200TF	Z300517	12,5 URD 71 TT F 0200	2
PC71UD13C250TF	A300518	12,5 URD 71 TT F 0250	2
PC71UD13C280TF	P300715	12,5 URD 71 TT F 0280	2
PC71UD13C315TF	B300519	12,5 URD 71 TT F 0315	2
PC71UD13C350TF	C300520	12,5 URD 71 TT F 0350	2
PC71UD13C400TF	D300521	12,5 URD 71 TT F 0400	2
PC71UD13C450TF	E300522	12,5 URD 71 TT F 0450	2
PC71UD11C500TF	F300523	11 URD 71 TT F 0500	2
PC71UD11C550TF	G300524	11 URD 71 TT F 0550	2
PC71UD11C630TF	H300525	11 URD 71 TT F 0630	2
PC71UD10C700TF	M301288	10 URD 71 TT F 0700	2
PC71UD90V800TF	Z300862	9 URD 71 TT F 0800	2
PC71UD80V900TF	N301289	8 URD 71 TT F 0900	2
PC71UD75V10CTF	R301292	7,5 URD 71 TTF 1000	2
A130UD71TTI160	B301025	A 130 URD 71 TTI 0160	2
A130UD71TTI200	C301026	A 130 URD 71 TTI 0200	2
A130UD71TTI250	D301027	A 130 URD 71 TTI 0250	2
A130UD71TTI280	E301028	A 130 URD 71 TTI 0280	2
A130UD71TTI315	F301029	A 130 URD 71 TTI 0315	2
A130UD71TTI350	G301030	A 130 URD 71 TTI 0350	2
A120UD71TTI550	L301034	A 120 URD 71 TTI 0550	2
A120UD71TTI630	M301035	A 120 URD 71 TTI 0630	2
A130UD71TTI400	H301031	A 130 URD 71 TTI 0400	2
A130UD71TTI450	J301032	A 130 URD 71 TTI 0450	2
A130UD71TTI500	K301033	A 130 URD 71 TTI 0500	2
PC71UD13C160D1A	D300751	12,5 URD 71 D11 A 0160	3
PC71UD13C200D1A	E300545	12,5 URD 71 D11 A 0200	3
PC71UD13C250D1A	F300546	12,5 URD 71 D11 A 0250	3
PC71UD10C630D1A	N300553	10 URD 71 D11 A 0630	3
PC71UD13C280D1A	K300711	12,5 URD 71 D11 A 0280	3
PC71UD13C315D1A	G300547	12,5 URD 71 D11 A 0315	3
PC71UD13C350D1A	H300548	12,5 URD 71 D11 A 0350	3
PC71UD13C400D1A	J300549	12,5 URD 71 D11 A 0400	3
PC71UD13C450D1A	K300550	12,5 URD 71 D11 A 0450	3
PC71UD11C500D1A	L300551	11 URD 71 D11 A 0500	3
PC71UD11C550D1A	M300552	11 URD 71 D11 A 0550	3
A130UD71LLI160	E300752	A 130 URD 71 LLI 0160	3
A130UD71LLI200	F300661	A 130 URD 71 LLI 0200	3
A130UD71LLI250	G300662	A 130 URD 71 LLI 0250	3
A130UD71LLI280	R300717	A 130 URD 71 LLI 0280	3
A130UD71LLI315	H300663	A 130 URD 71 LLI 0315	3
A130UD71LLI350	J300664	A 130 URD 71 LLI 0350	3
A130UD71LLI400	K300665	A 130 URD 71 LLI 0400	3
A130UD71LLI450	L300666	A 130 URD 71 LLI 0450	3
A120UD71LLI500	M300667	A 120 URD 71 LLI 0500	3
A120UD71LLI550	N300668	A 120 URD 71 LLI 0550	3
A110UD71LLI630	P300669	A 110 URD 71 LLI 0630	3
PC71UD13C160EF	C300750	12,5 URD 71 EF 0160	4
PC71UD13C200EF	Z300609	12,5 URD 71 EF 0200	4
PC71UD13C250EF	A300610	12,5 URD 71 EF 0250	4
PC71UD13C280EF	M300713	12,5 URD 71 EF 0280	4
PC71UD10C630EF	H300617	10 URD 71 EF 0630	4
PC71UD13C315EF	B300611	12,5 URD 71 EF 0315	4
PC71UD13C350EF	C300612	12,5 URD 71 EF 0350	4

MERSEN reserves the right to change, update or correct, without notice, any information contained in this datasheet.

# Protistor® size 71 aR

750 to 1250VAC (IEC) / 1300VAC (UL)

## APPENDIX

### Index

Catalog number	Item number	Description 1	Page
PC71UD13C400EF	D300613	12,5 URD 71 EF 0400	4
PC71UD13C450EF	E300614	12,5 URD 71 EF 0450	4
PC71UD11C500EF	F300615	11 URD 71 EF 0500	4
PC71UD11C550EF	G300616	11 URD 71 EF 0550	4
PC71UD13C160PA	M301219	12,5 URD 71 PA 0160	4
PC71UD13C200PA	G301835	12,5 URD 71 PA 0200	4
PC71UD13C250PA	B301163	12,5 URD 71 PA 0250	4
PC71UD13C315PA	A300840	12,5 URD 71 PA 0315	4
PC71UD13C350PA	H1000070	12,5 URD 71 PA 0350	4
PC71UD13C400PA	Q301222	12,5 URD 71 PA 0400	4
PC71UD13C450PA	W302975	12,5 URD 71 PA 0450	4