

Capacitor Protection

Amp-Trap® and 9F60 Series

MEDIUM VOLTAGE FUSES

MEDIUM VOLTAGE CAPACITOR FUSES



Mersen capacitor fuses are designed to ANSI C37-41. They are current-limiting operating without noise or discharge and are designed to be used indoors in a general purpose enclosure or outdoors in a weatherproof enclosure. These are non-disconnecting fuses requiring the use of a disconnect switch. These capacitor fuses provide both short circuit and overload protection and are intended to protect against capacitor case rupture or dielectric failure within the capacitor.

The various mounting configurations offer manufacturers a wide range of cost/space saving solutions and a large choice of equivalent products.

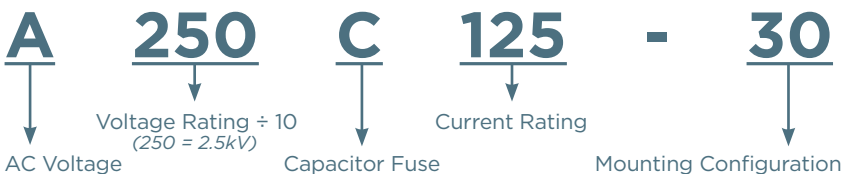
FEATURES/BENEFITS:

- High interrupting capacity
- Current limitation
- Blown-fuse indication
- Direct mount
- Clip style mount
- Bus mount
- Non-venting for silent operation

APPLICATIONS:

- Capacitor Protection
- Power Factor Correction Equipment
- Harmonic Filtering Equipment
- Induction Heating System
- High Power Drive
- Welders

CATALOG NUMBERING SYSTEM:



Ratings:

A100C

- **Volts:** 1000V AC Max.
- **Amps:** 25 to 125 A
- **IR:** 50 kA Sym

A150C

- **Volts:** 1500V AC Max.
- **Amps:** 25 to 200 A
- **IR:** 40 kA Sym

A250C

- **Volts:** 2500V AC Max.
- **Amps:** 25 to 200 A
- **IR:** 50 kA Sym

A300C

- **Volts:** 3000V AC Max.
- **Amps:** 50 to 175 A
- **IR:** 50 kA Sym

A430C

- **Volts:** 4300V AC Max.
- **Amps:** 6 to 100 A
- **IR:** 65 kA Sym

A550C

- **Volts:** 5500V AC Max.
- **Amps:** 6 to 75 A
- **IR:** 65 kA Sym

9F60RJD

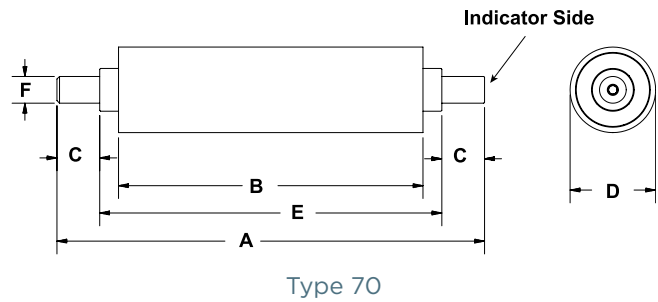
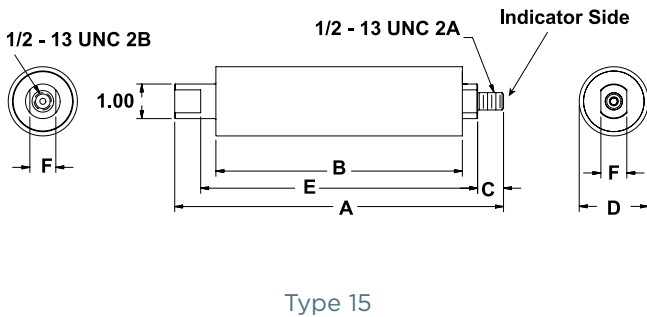
- **Volts:** 5500V AC Max.
- **Amps:** 25 to 80 A
- **IR:** 50 kA Sym

9F60RJF

- **Volts:** 9520V AC Max.
- **Amps:** 15 to 40A
- **IR:** 50 kA Sym

5.5 KV CAPACITOR FUSES AMP-TRAP SERIES

Catalog Number	Ampere Rating	Melting I ² t (kA ² s)	Maximum 1 Clearing I ² t (kA ² s)	Maximum 1 Phase Interrupting Rating	Overall Length Inches (mm)	Tube Length Inches (mm)	Ind. Housing Inches (mm)	Body Dia Inches (mm)	Bracket Dimensions Inches (mm)	
5.5 kV Max Type 15 external female to bolt					A	B	C	D	E	F
A550C6-15	6	0.4	2.49	65 kA @ 5500V RMS Sym	9.50 (241.3)	7.12 (180.8)	.75 (19.1)	2.00 (50.8)	8.00 (203.2)	.75 (19.1)
A550C8-15	8	0.73	4.31							
A550C10-15	10	1.14	6.38							
A550C12-15	12	1.6	8.64							
A550C18-15	18	3	15							
A550C20-15	20	4.5	22.1							
A550C25-15	25	6.5	31.2							
A550C30-15	30	7.7	36.2	50 kA @ 5500V RMS Sym						
A550C35-15	35	9	41.4							
A550C40-15	40	12	54.6							
A550C50-15	50	15	68							
A550C65-15	65	35	156							
A550C75-15	75	43	186							
5.5 kV Max Type 70 tube to tube					A	B	C	D	E	F
A550C6-70	6	0.4	2.49	65 kA @ 5500V RMS Sym	10.00 (254.0)	7.12 (180.8)	1.00 (25.4)	2.00 (50.8)	8.00 (203.2)	.63 (15.9)
A550C8-70	8	0.73	4.31							
A550C10-70	10	1.14	6.38							
A550C12-70	12	1.6	8.64							
A550C18-70	18	3	15							
A550C20-70	20	4.5	22.1							
A550C25-70	25	6.5	31.2							
A550C30-70	30	7.7	36.2							
A550C35-70	35	9	41.4							
A550C40-70	40	12	54.6							
A550C50-70	50	15	68							
A550C65-70	65	35	156							
A550C75-70	75	43	186							

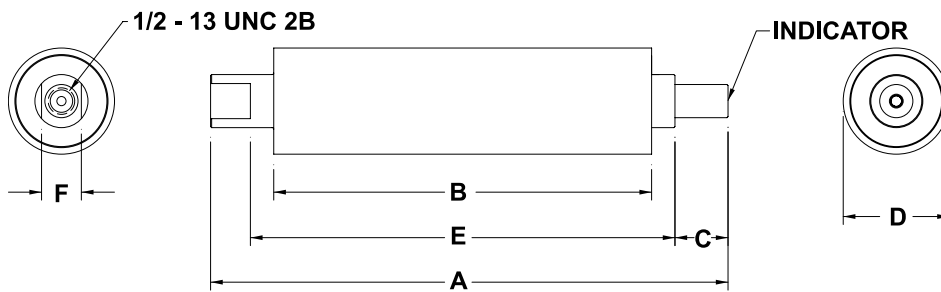


5.5KV / 9.52KV CAPACITOR FUSES AMP-TRAP SERIES

5.5kV Capacitor Fuses - Amp-Trap Series

Catalog Number	Ampere Rating	Melting I ² t [kA ² s]	Maximum Clearing I ² t [kA ² s]	Maximum 1 Phase Interrupting Rating (kA)	Overall Length Inches (mm)	Tube Length Inches (mm)	Indicator Housing Inches (mm)	Body Dia Inches (mm)	Inches (mm)	Inches (mm)
5.5 kV Max Type 75 external female to tube					A	B	C	D	E	F
A550C6-75	6	0.4	2.49	65 kA @ 5500V RMS Sym	9.75 (247.7)	7.12 (180.8)	1.00 (2.54)	2.00 (50.8)	8.00 (203.2)	0.63 (15.9)
A550C8-75	8	0.73	4.31							
A550C10-75	10	1.14	6.38							
A550C12-75	12	1.6	8.64							
A550C18-75	18	3	15							
A550C20-75	20	4.5	22.1							
A550C25-75	25	6.5	31.2							
A550C30-75	30	7.7	36.2							
A550C35-75	35	9	41.4							
A550C40-75	40	12	54.6							
A550C50-75	50	15	68	50 kA @ 5500V RMS Sym						
A550C65-75	65	35	156							
A550C75-75	75	43	186							

Type 75



5.5kV Capacitor fuses - 9F60 series, EJO-5

12" (305 mm) Clip Centers clip-in mounting* - Suitable for use indoors or outdoors



Catalog No.	Amp Rating	No. of Barrels	Indicating	Diameter Inches (mm)	Length Inches (mm)	Max Voltage	Max IR RMS Sym
9F60RJD025	25A	1	Yes	2.08 (20.8)	14.0 (356)	5.5 kV	50kA
9F60RJD040	40A						
9F60RJD080	80A						

9.52kV Capacitor fuses - 9F60 series, EJO-5

12" (305 mm) Clip Centers clip-in mounting* - Suitable for use indoors or outdoors



Catalog No.	Amp Rating	No. of Barrels	Indicating	Diameter Inches (mm)	Length Inches (mm)	Max Voltage	Max IR RMS Sym
9F60RJF015	15A	1	Yes	2.08 (20.8)	14.0 (356)	9.25 kV	50kA
9F60RJF025	25A						
9F60RJF040	40A						

*EJO-5 Capacitor fuses are typically mounted directly on the capacitor.