

# ROTARY UNION

## 5000 Series - General Purpose



<b>MEDIA:</b>	Water, steam, hot oil and air
<b>CONFIGURATIONS:</b>	Single and dual flow
<b>MATERIAL:</b>	Stainless steel
<b>THREAD SIZES:</b>	- 1/4 inch to 2 inch NPT and BSP - M16 to M50 metric threads available



Products are not designed to work at all "max" parameters at the same time as described in the performance charts.

### FEATURES & BENEFITS

#### Corrosion Resistant

- 300 Grade stainless steel construction for superior corrosion resistance.

#### Long Service Life

- Two precision bearings keep the seal faces perfectly aligned for long service life

#### Dual Flow Option

- With the addition of an elbow, the 5000 Series can become dual flow.

#### Balanced Mechanical Seal Design

- The balanced mechanical seal design allows for optimal operation with a wide variety of media.

#### Replaceable Cartridge

- Integrated cartridge design makes repairs fast and easy reducing maintenance costs.

#### Multiple Seal Design Options

- 5000 Series (Standard)**
  - Carbon graphite against a ceramic coated steel seal design offers long life.
- 5000 T Series (Consult Factory)**
  - Tungsten carbide face ring against a carbon graphite seal ring provides longer life in applications where complete filtrations is not possible
- 5000 ASM Series**
  - Duff-Norton's Advanced Seal Materials (ASM) seal for abrasive applications, where softer sealing faces are subject to grooving. The ASM seal is a tungsten carbide face ring against a siliconized graphite seal ring, offering unsurpassed protection against grooving in applications where other materials fail.

	Water	Steam	Hot Oil	Air
Max Pressure (psi)	750	120	100	300
Max Temperature (°F)	300	350	395	—
Max Speed (rpm)	1000 (NPT), 3600 (MT)			

Nominal Pipe Size	Shaft Thread (A)	Inlet Thread (B)	Mono Flow - Standard Seal		
			Right Hand Thread	Left Hand Thread	
			Part Number	Part Number	
1/4	1/4 NPT	3/8 NPT	750625C	750642C	
	1/4-19 BSP		750362C	750361C	
	1/4-19 BSPP		750738C	750737C	
3/8	3/8 NPT		750110C	750109C	
	5/8-18 UNF		750142C	750141C	
	3/8-19 BSP		750144C	750143C	
	3/8-19 BSPP		750259C	750258C	
m16	16 X P1.5		750377C	750376C	
m18	18 X P1.5		750379C	750378C	
1/2	1/2 NPT		1/2 NPT	750112C	750111C
	3/4-16 UNF			750147C	750146C
	Quick Release			750150C	750150C
	1/2-14 BSP	750149C		750148C	
	1/2-14 BSPP	750261C		750260C	
m22	22 X P1.5	750381C		750380C	
m25	25 X P1.5	750383C		750382C	
m26	26 X P1.5	750385C		750384C	
3/4	3/4 NPT	3/4 NPT		750089C	750088C
	1-14 UNS			750152C	750151C
	Quick Release			750155C	750155C
	3/4-14 BSP			750154C	750153C
3/4-14 BSPP	750244C			750243C	
m30	30 X P1.5			750387C	750386C
1	1 NPT			1 NPT	750114C
	1-1/2-12 UNF		750157C		750156C
	Quick Release		750160C		750160C
	1-11 BSP		750159C		750158C
	1-11 BSPP		750246C		750245C
m35	35 X P1.5		750389C		750388C
m42	42 X P1.5	750391C	750390C		

Units in inches unless specified otherwise.

[Continued on next page >>](#)

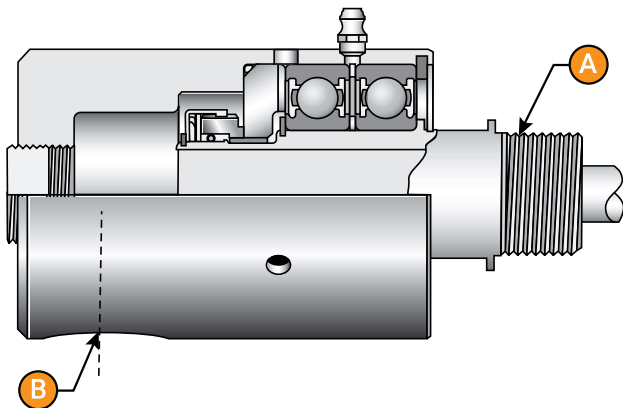
Nominal Pipe Size	Shaft Thread (A)	Inlet Thread (B)	Mono Flow - Standard Seal	
			Right Hand Thread	Left Hand Thread
			Part Number	Part Number
1-1/4	1-1/4 NPT	1-1/4 NPT	750116C	750115C
	1-3/4-12 UN		750162C	750161C
	Quick Release		750165C	750165C
	1-1/4-11 BSP		750164C	750163C
	1-1/4-11 BSPP		750263C	750262C
m48	48 X P1.5		750393C	750392C
1-1/2	1-1/2 NPT	1-1/2 NPT	750118C	750117C
	2-12 UN		750167C	750166C
	QUICK RELEASE		750170C	750170C
	1-1/2-11 BSP		750169C	750168C
	1-1/2-11 BSPP		750265C	750264C
	m50		50 X P1.5	
2	2 NPT	2 NPT	750120C	750119C
	2-1/2-12 UN		750172C	750171C
	QUICK RELEASE		750175C	750175C
	2-11 BSP		750174C	750173C
	2-11 BSPP		750267C	750266C

Units in inches unless specified otherwise.

Nominal Pipe Size	Shaft Thread (A)	Inlet Thread (B)	Mono Flow - ASM Seal	
			Right Hand Thread	Left Hand Thread
			Part Number	Part Number
3/8	3/8 NPT	3/8 NPT	750505C	750504C
1/2	1/2 NPT	1/2 NPT	750513C	750512C
3/4	3/4 NPT	3/4 NPT	750522C	750521C
1	1 NPT	1 NPT	750531C	750530C
1-1/4	1-1/4 NPT	1-1/4 NPT	750540C	750539C
1-1/2	1-1/2 NPT	1-1/2 NPT	750549C	750548C
2	2 NPT	2 NPT	750558C	750557C

Units in inches unless specified otherwise.

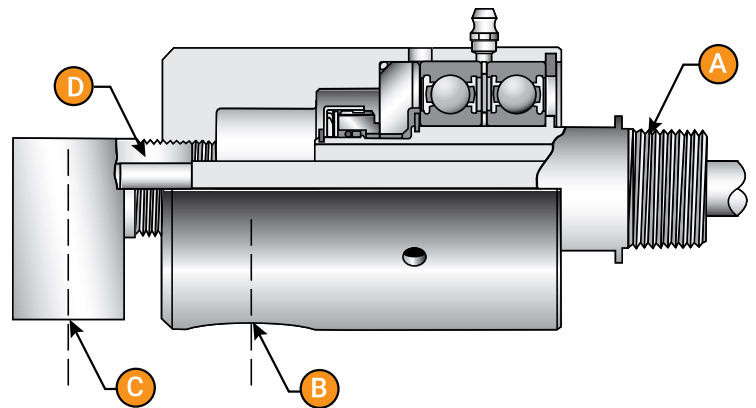
### STANDARD & ASM SEAL DIAGRAM



Nominal Pipe Size	Outlet Thread (C)	Elbows for Dual Flow			
		Stationary Siphon Systems		Rotating Siphon Systems	
		Siphon Pipe Thread or Siphon Tube OD (D)	Part Number	Siphon Pipe Thread or Siphon Tube OD (D)	Part Number
3/8	3/8 NPT	1/4	465409C	—	—
1/2	3/8 NPT	1/8 NPT	465408C	3/8 Tube	451245C
		3/8 Tube	465410C	—	—
3/4	1/2 NPT	1/8 NPT	465401C	—	—
		1/4 NPT	465402C	—	—
		7/16 Tube	465403C	—	—
		1/2 Tube	465404C	1/2 Tube	451243C
	1/2 BSP	1/8-28 BSP	465417C	—	—
		1/4-19 BSP	465418C	—	—
1	1/2 NPT	1/4 NPT	465411C	—	—
		3/8 NPT	465412C	5/8 Tube	451246C
		5/8 Tube	465413C	—	—
1-1/4	3/4 NPT	3/8-19 BSP	465419C	—	—
		1/2 NPT	465414C	—	—
		3/4 Tube	465415C	3/4 Tube	451247C
1-1/2	3/4 NPT	1/2-14 BSP	465420C	—	—
		1/2 NPT	465405C	—	—
		3/4 NPT	465406C	1 Tube	451244C
		1 Tube	465407C	—	—
2	3/4 BSP	3/4-14 BSP	465421C	—	—
		1/2 NPT	465405C	—	—
		3/4 NPT	465406C	1 Tube	451244C
		1 Tube	465407C	—	—
		3/4-14 BSP	465421C	—	—

Units in inches unless specified otherwise.

### ELBOW FOR DUAL FLOW DIAGRAM



## 5000 SERIES PERFORMANCE CHARTS

