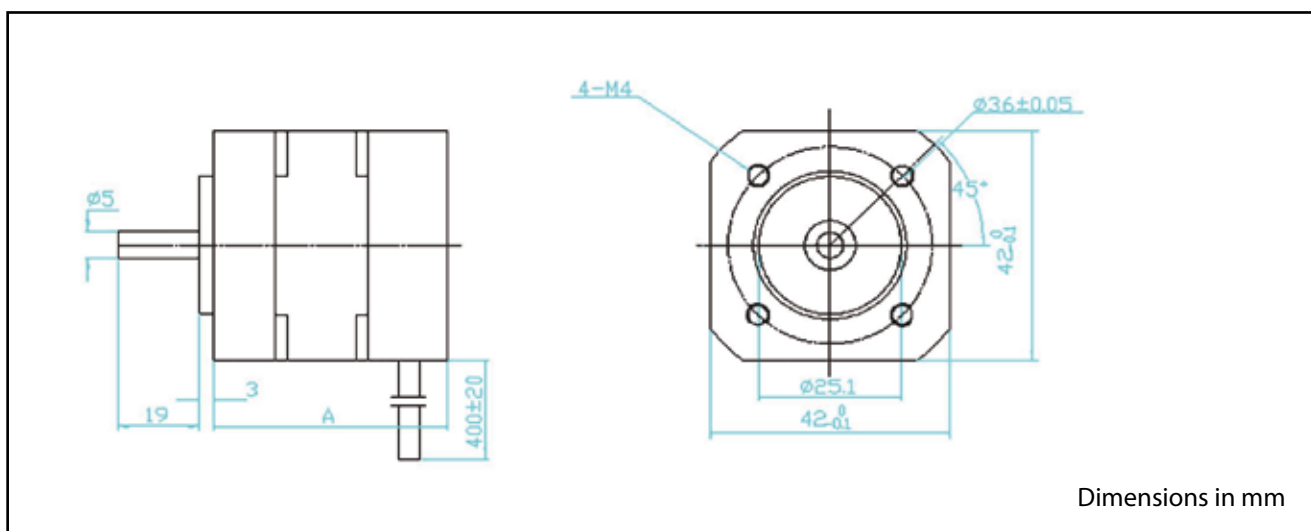


Data Sheet

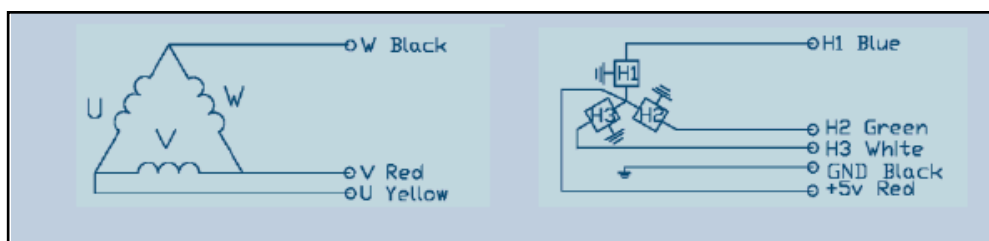
BRUSHLESS MOTOR

RS stock number 536-6024



Specifications

Model	536-6024
No of Poles	8
No of Phase	3
Rated Voltage (V)	24
Rated Speed (RPM)	4000
Rated Torque (Nm)	0.0625
Max Peak Torque (Nm)	0.19
Torque Constant (Nm/A)	0.035
Terminal Resistance (Ohm)	1.8
Line to Line Inductance (mH)	2.23
B.E.M.F At Nominal Speed (Vrms)	14.8
Max Peak Current (A)	5.4
Length (mm)	41
Rotor Inertia (Kgm ² x 10 ⁻⁶)	24
Mass (Kg)	0.3



Note: Suitable for use with drive 418-4045