

# MCGILL® Metric CAMROL Bearings



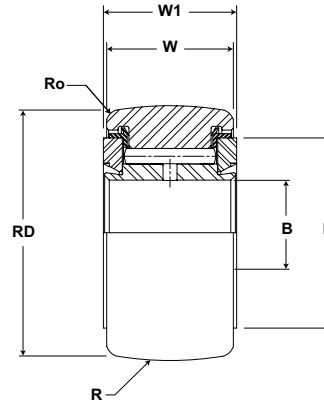
**Basic Construction Type:** Yoke Type Crowned / Cylindrical Outside Diameter

**Rolling Elements:** Full Complement / Retained (Caged) Needle Roller

**Bearing Material:** Bearing Quality Steel

**Seal Type:** LUBRI-DISC®

**Lubrication:** Lithium Soap Grease NLGI #2



Metric Cam Yoke Roller with Crowned O.D.

## MCYR

Part No.		RD		W		B		W1		R	Track Roller Dynamic Rating	Track Roller Static Rating
W/O Seals	With LUBRI-DISC Seals	Roller Diameter		Roller Width		Bore		Overall Width		Cylindrical Suffix MCYR-X		
		mm inch		mm inch		mm inch		mm inch		mm inch		
		Nom.	Tol.	Nom.	Tol.	Nom	Tol	(Ref)	(Ref)	Radius (Ref)	N/lb	N/lb
MCYR 20	MCYR 20 S	47.000 1.8504	0/-0.05 +0/-0.0002	24.00 .945	+0/- .12 +0/- .033	20.000 .7874	+0/- .010 +0/- .0004	25.000 .9843	+0/- .21 +0/- .008	500 20	25,690 5,776	48,000 10,791
MCYR 20 X	MCYR 20 SX		+0/- .011 +0/- .0004							Cylindrical	17,750 3,991	29,800 6,700
MCYRR 20	MCYRR 20 S		0/-0.05 +0/-0.0002									
MCYRR 20 X	MCYRR 20 SX		+0/- .011 +0/- .0004									
MCYR 25	MCYR 25 S	52.000 2.0472	0/-0.05 +0/-0.0002	24.00 .945	+0/- .12 +0/- .037	25.000 .9843	+0/- .010 +0/- .0004	25.000 .9843	+0/- .21 +0/- .008	500 20	28,440 6,394	58,700 13,197
MCYR 25 X	MCYR 25 SX		+0/- .013 +0/- .0005							Cylindrical	19,120 4,299	34,900 7,846
MCYRR 25	MCYRR 25 S		0/-0.05 +0/-0.0002									
MCYRR 25 X	MCYRR 25 SX		+0/- .013 +0/- .0005									
MCYR 30	MCYR 30 S	62.000 2.4409	0/-0.05 +0/-0.0002	29.00 1.142	+0/- .12 +0/- .041	30.000 1.1811	+0/- .010 +0/- .0004	29.000 1.1417	+0/- .21 +0/- .008	500 20	41,480 9,326	89,000 20,009
MCYR 30 X	MCYR 30 SX		+0/- .013 +0/- .0005							Cylindrical	28,340 6,371	54,300 12,208
MCYRR 30	MCYRR 30 S		0/-0.05 +0/-0.0002									
MCYRR 30 X	MCYRR 30 SX		+0/- .013 +0/- .0005									
MCYR 35	MCYR 35 S	72.000 2.8346	0/-0.05 +0/-0.0002	29.00 1.142	+0/- .12 +0/- .045	35.000 1.3780	+0/- .012 +0/- .0005	29.000 1.1417	+0/- .21 +0/- .008	500 20	47,370 10,650	10,000 2,248
MCYR 35 X	MCYR 35 SX		+0/- .013 +0/- .0005							Cylindrical	32,460 7,298	60,900 13,692
MCYRR 35	MCYRR 35 S		0/-0.05 +0/-0.0002									
MCYRR 35 X	MCYRR 35 SX		+0/- .013 +0/- .0005									
MCYR 40	MCYR 40 S	80.000 3.1496	0/-0.05 +0/-0.0002	35.00 1.378	+0/- .12 +0/- .049	40.000 1.5748	+0/- .012 +0/- .0005	32.000 1.2598	+0/- .25 +0/- .010	500 20	58,350 13,118	123,000 27,653
MCYR 40 X	MCYR 40 SX		+0/- .015 +0/- .0006							Cylindrical	41,480 9,326	78,700 17,693
MCYRR 40	MCYRR 40 S		0/-0.05 +0/-0.0002									
MCYRR 40 X	MCYRR 40 SX		+0/- .015 +0/- .0006									
MCYR 45	MCYR 45 S	85.000 3.3465	0/-0.05 +0/-0.0002	35.00 1.378	+0/- .12 +0/- .053	45.000 1.7717	+0/- .012 +0/- .0005	32.000 1.2598	+0/- .25 +0/- .010	500 20	61,490 13,824	136,000 30,576
MCYR 45 X	MCYR 45 SX		+0/- .015 +0/- .0006							Cylindrical	42,760 9,613	84,100 18,907
MCYRR 45	MCYRR 45 S		0/-0.05 +0/-0.0002									
MCYRR 45 X	MCYRR 45 SX		+0/- .015 +0/- .0006									
MCYR 50	MCYR 50 S	90.000 3.5433	0/-0.05 +0/-0.0002	35.00 1.378	+0/- .12 +0/- .057	50.000 1.9685	+0/- .012 +0/- .0005	32.000 1.2598	+0/- .25 +0/- .010	500 20	64,330 14,463	148,000 33,273
MCYR 50 X	MCYR 50 SX		+0/- .015 +0/- .0006							Cylindrical	45,600 10,252	94,800 21,313
MCYRR 50	MCYRR 50 S		0/-0.05 +0/-0.0002									
MCYRR 50 X	MCYRR 50 SX		+0/- .015 +0/- .0006									

1. Standard bearing has a crowned roller outside diameter. For straight cylindrical outside roller diameter, add suffix "X". Example - MCFR-35-X or MCF-35-SX.

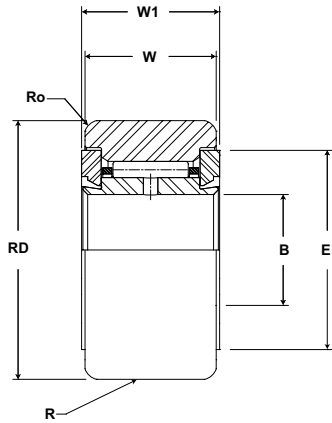
2. Clamping torque is based on dry threads. If threads are lubricated, use half of value shown.

3. Static load rating is based on stud strength or on internal rolling element load distribution stresses.

Inch dimensions for reference only.

Not all parts are available from stock. Please contact customer service for availability (800) 626-2120.

For more information on bearing capabilities outside of our standard offering, please contact Application Engineering (800) 626-2093.



Metric Cam Yoke Roller with Cylindrical O.D.

## MCYR

Part No.		E	Ro	LF	LFT	TF	TFT	Limiting Speed  RPM	WT
W/O Seals	With LUBRI-DISC Seals	Min. Clamping Diameter	Outer Corner	Recommended Shaft Diameters					Bearing Weight
				Loose Fit (for light loads) g6		Light Fit (for medium loads) h6			
		mm inch		mm inch		mm inch			
(Ref)	(Ref)	Nom.	Tol.	Nom.	Tol.	Nom.	Tol.	kg lb	
MCYR 20	MCYR 20 S	30 1.2	1.50 .059	19.993 .7871	+0/-0.013 +0/-0.0005	20.000 .7874	+0/-0 +0/-0.00	2,600	.25 .55
MCYR 20 X	MCYR 20 SX							3,900	
MCYRR 20	MCYRR 20 S	36 1.4	1.50 .059	24.993 .9840	+0/-0.013 +0/-0.0005	25.000 .9842	+0/-0 +0/-0.00	2,600	.29 .64
MCYR 25 X	MCYR 25 SX							3,900	
MCYRR 25	MCYRR 25 S	44 1.7	2.00 .079	29.993 1.1808	+0/-0.013 +0/-0.0005	30.000 1.1811	+0/-0 +0/-0.00	2,100	.47 1.04
MCYR 30 X	MCYR 30 SX							3,100	
MCYRR 30	MCYRR 30 S	52 2.0	2.00 .079	34.991 1.3776	+0/-0.016 +0/-0.0006	35.000 1.3779	+0/-0 +0/-0.00	2,100	.64 1.41
MCYR 35 X	MCYR 35 SX							3,100	
MCYRR 35	MCYRR 35 S	58 2.3	2.00 .079	39.991 1.5744	+0/-0.016 +0/-0.0006	40.000 1.5748	+0/-0 +0/-0.00	1,500	.84 1.84
MCYR 40 X	MCYR 40 SX							2,200	
MCYRR 40	MCYRR 40 S	63 2.5	2.00 .079	44.991 1.7713	+0/-0.016 +0/-0.0006	45.000 1.7716	+0/-0 +0/-0.00	1,500	.90 1.99
MCYR 45 X	MCYR 45 SX							2,200	
MCYRR 45	MCYRR 45 S	68 2.7	2.00 .079	45.991 1.8107	+0/-0.016 +0/-0.0006	50.000 1.9685	+0/-0 +0/-0.00	1,500	.97 2.14
MCYR 50 X	MCYR 50 SX							2,200	
MCYRR 50	MCYRR 50 S								
MCYR 50 X	MCYR 50 SX								
MCYRR 50	MCYRR 50 S								
MCYR 50 X	MCYR 50 SX								

For a tight fit and heavy loads, us ISO tolerance J6.