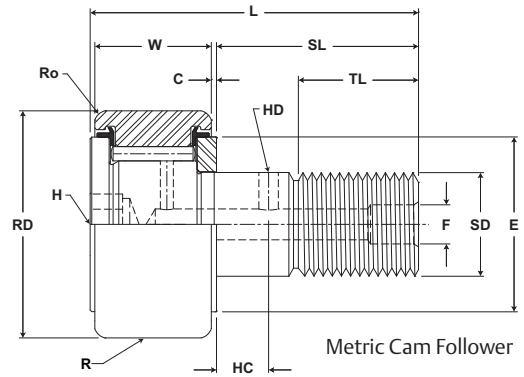


MCGILL® Metric CAMROL Bearings



- Basic Construction Type:** Stud Type Crowned / Cylindrical Outside Diameter
- Rolling Elements:** Full Complement / Retained (Caged) Needle Roller
- Bearing Material:** Bearing Quality Steel
- Seal Type:** LUBRI-DISC®
- Lubrication:** Lithium Soap Grease NLGI #2
- System Configuration:** Concentric / Eccentric
- Mounting Feature:** Slot / Hex Hole

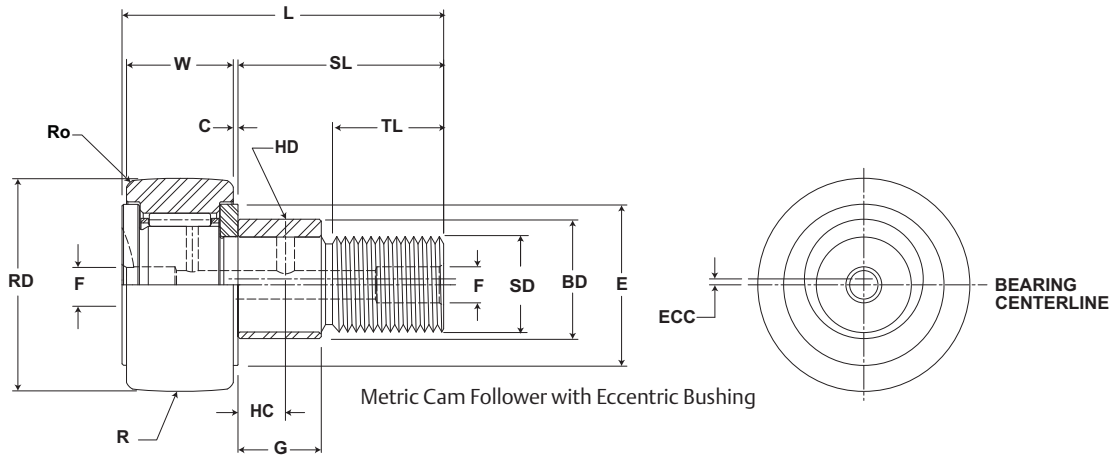


MCF, MCFE

Part No.		RD		W		SD		SL	C	TL	L	R	ECC	G	BD	Track Roller Dynamic Rating	Track Roller Static Rating			
W/O Seals	With LUBRI-DISC Seals	Roller Diameter		Roller Width		Stud Diameter		Stud Length	Endplate Extension	Minimum Thread Length	Length Overall	Cylindrical	Eccentric							
		mm inch		mm inch		mm inch		mm inch	mm inch	mm inch	mm inch	mm inch	Base Modifier MCFE-xx							
		Nom.	Tol.	Nom.	Tol.	Nom.	Tol.	(Ref)	(Ref)	(Ref)	(Ref)	Radius	(Ref)	+05/- .15 +.002/- .006	(Ref)					
MCF 26	MCF 26 S	26.000 1.0236	+0/- .050 +0/- .002	12.000 +0/- .12 .4724 +0/- .005	10.000 +0/- .015 .3937 +0/- .0006	23	.60	.024	12.0	.47	36	1.4	500	N/A	N/A	N/A	7,850	10,400		
MCF 26 B	MCF 26 SB		19.7																	
MCF 26 X	MCF 26 SX		Cylindrical																	
MCF 26 BX	MCF 26 SBX		Cylindrical																	
MCFE 26	MCFE 26 S	26.000 1.0236	+0/- .050 +0/- .002	12.000 +0/- .12 .4724 +0/- .005	10.000 +0/- .015 .3937 +0/- .0006	23	.60	.024	12.0	.47	36	1.4	500	0.5	10	13	5,200	6,050		
MCFE 26 SB	MCFE 26 SB		19.7										.02						0.39	.51
MCFE 26 SX	MCFE 26 SX		Cylindrical																	
MCFE 26 SBX	MCFE 26 SBX		Cylindrical																	
MCFR 26	MCFR 26 S	26.000 1.0236	+0/- .050 +0/- .002	12.000 +0/- .12 .4724 +0/- .005	10.000 +0/- .015 .3937 +0/- .0006	23	.60	.024	12.0	.47	36	1.4		500	N/A	N/A	N/A	5,200		
MCFR 26 B	MCFR 26 SB		19.7																	
MCFR 26 X	MCFR 26 SX		Cylindrical																	
MCFR 26 BX	MCFR 26 SBX		Cylindrical																	
MCFRE 26	MCFRE 26 S	26.000 1.0236	+0/- .050 +0/- .002	12.000 +0/- .12 .4724 +0/- .005	10.000 +0/- .015 .3937 +0/- .0006	23	.60	.024	12.0	.47	36	1.4	500	0.5	10	13	5,200	6,050		
MCFRE 26 SB	MCFRE 26 SB		19.7										.02						0.39	.51
MCFRE 26 SX	MCFRE 26 SX		Cylindrical																	
MCFRE 26 SBX	MCFRE 26 SBX		Cylindrical																	
MCF 26A	MCF 26A S	26.000 1.0236	+0/- .050 +0/- .002	12.000 +0/- .12 .4724 +0/- .005	10.000 +0/- .015 .3937 +0/- .0006	23	.60	.024	13.0	.51	36	1.4		500	N/A	N/A	N/A	7,850		
MCF 26A B	MCF 26A SB		19.7																	
MCF 26A X	MCF 26A SX		Cylindrical																	
MCF 26A BX	MCF 26A SBX		Cylindrical																	
MCFE 26A	MCFE 26A S	26.000 1.0236	+0/- .050 +0/- .002	12.000 +0/- .12 .4724 +0/- .005	10.000 +0/- .015 .3937 +0/- .0006	23	.60	.024	13.0	.51	36	1.4	500	0.5	10	13	7,850	10,400		
MCFE 26A SB	MCFE 26A SB		19.7										.02						0.39	.51
MCFE 26A SX	MCFE 26A SX		Cylindrical																	
MCFE 26A SBX	MCFE 26A SBX		Cylindrical																	
MCFR 26A	MCFR 26A S	26.000 1.0236	+0/- .050 +0/- .002	12.000 +0/- .12 .4724 +0/- .005	10.000 +0/- .015 .3937 +0/- .0006	23	.60	.024	13.0	.51	36	1.4		500	N/A	N/A	N/A	5,200		
MCFR 26A B	MCFR 26A SB		19.7																	
MCFR 26A X	MCFR 26A SX		Cylindrical																	
MCFR 26A BX	MCFR 26A SBX		Cylindrical																	
MCFRE 26A	MCFRE 26A S	26.000 1.0236	+0/- .050 +0/- .002	12.000 +0/- .12 .4724 +0/- .005	10.000 +0/- .015 .3937 +0/- .0006	23	.60	.024	13.0	.51	36	1.4	500	0.5	10	13	5,200	6,050		
MCFRE 26A SB	MCFRE 26A SB		19.7										.02						0.39	.51
MCFRE 26A SX	MCFRE 26A SX		Cylindrical																	
MCFRE 26A SBX	MCFRE 26A SBX		Cylindrical																	

1. Standard bearing has a crowned roller outside diameter. For straight cylindrical outside roller diameter, add suffix "X". Example - MCFR-35-X or MCF-35-SX.
 2. Clamping torque is based on dry threads. If threads are lubricated, use half of value shown.
 3. Static load rating is based on stud strength or on internal rolling element load distribution stresses.
 4. Dynamic load should not exceed 50% of Dynamic Rating as a track roller.
 5. Since load, lubrication method, temperature and other factors affect the maximum operating speed, it is impossible to determine precise limiting speed. The listed limiting speeds are based on lightly loaded bearings having adequate lubrication and are listed only as a design guide. More frequent relubrication is required when operating at higher speeds. Actual bearing testing in the specific application should be conducted if the anticipated operating speed approaches the listed limiting speed.

Inch dimensions for reference only.
 Not all parts are available from stock. Please contact customer service for availability (800) 626-2120.
 For more information on bearing capabilities outside of our standard offering, please contact Application Engineering (800) 626-2093.



MCF, MCFE

Part No.		HC	HD	F	H	Ro	E	Housing Bore Diameter		Thread Type	Clamping Torque	Limiting Speed (Grease)	WT
W/O Seals	With LUBRI-DISC Seals	Hole Center	Radial Lub. Hole Diameter	Lub. Hole Dia	Hex Hole Suffix MCF_xx B	Outer Corner	Min. Clamping Diameter						
		(Ref)	(Ref)	(Ref)	(Ref)	(Ref)	(Ref)	Nom.	Tol.				
MCF 26	MCF 26 S	-	-	.4 .16	N/A	.5	15	10.000	+.015/-0	M10x1	15 133	9,000	.05 .11
MCF 26 B	MCF 26 SB	-	-	.4 .16	N/A	.02	.6	.3937	+0.0006/-0				
MCF 26 X	MCF 26 SX	-	-	.4 .16	N/A	.5	.6	13.050	+0.025/-0				
MCF 26 BX	MCF 26 SBX	-	-	.4 .16	N/A	.5	.6	.5138	+0.0009/-0				
MCFE 26	MCFE 26 S	-	-	.4 .16	N/A	.5	15	10.000	+.015/-0	M10x1	15 133	9,000	.05 .11
MCFE 26 B	MCFE 26 SB	-	-	.4 .16	N/A	.02	.6	.3937	+0.0006/-0				
MCFE 26 X	MCFE 26 SX	-	-	.4 .16	N/A	.5	.6	13.050	+0.025/-0				
MCFE 26 BX	MCFE 26 SBX	-	-	.4 .16	N/A	.5	.6	.5138	+0.0009/-0				
MCFR 26	MCFR 26 S	-	-	.4 .16	N/A	.5	15	10.000	+.015/-0	M10x1	15 133	13,500	.05 .11
MCFR 26 B	MCFR 26 SB	-	-	.4 .16	N/A	.02	.6	.3937	+0.0006/-0				
MCFR 26 X	MCFR 26 SX	-	-	.4 .16	N/A	.5	.6	13.050	+0.025/-0				
MCFR 26 BX	MCFR 26 SBX	-	-	.4 .16	N/A	.5	.6	.5138	+0.0009/-0				
MCFRE 26	MCFRE 26 S	-	-	.4 .16	N/A	.5	15	10.000	+.015/-0	M10x1	15 133	13,500	.05 .11
MCFRE 26 B	MCFRE 26 SB	-	-	.4 .16	N/A	.02	.6	.3937	+0.0006/-0				
MCFRE 26 X	MCFRE 26 SX	-	-	.4 .16	N/A	.5	.6	13.050	+0.025/-0				
MCFRE 26 BX	MCFRE 26 SBX	-	-	.4 .16	N/A	.5	.6	.5138	+0.0009/-0				
MCF 26A	MCF 26A S	-	-	.4 .16	N/A	.5	19	10.000	+.015/-0	M10x1.25	22 195	9,000	.05 .11
MCF 26A B	MCF 26A SB	-	-	.4 .16	N/A	.02	.7	.3937	+0.0006/-0				
MCF 26A X	MCF 26A SX	-	-	.4 .16	N/A	.5	.7	13.050	+0.025/-0				
MCF 26A BX	MCF 26A SBX	-	-	.4 .16	N/A	.5	.7	.5138	+0.0009/-0				
MCFE 26A	MCFE 26A S	-	-	.4 .16	N/A	.5	19	10.000	+.015/-0	M10x1.25	22 195	9,000	.05 .11
MCFE 26A B	MCFE 26A SB	-	-	.4 .16	N/A	.02	.7	.3937	+0.0006/-0				
MCFE 26A X	MCFE 26A SX	-	-	.4 .16	N/A	.5	.7	13.050	+0.025/-0				
MCFE 26A BX	MCFE 26A SBX	-	-	.4 .16	N/A	.5	.7	.5138	+0.0009/-0				
MCFR 26A	MCFR 26A S	-	-	.4 .16	N/A	.5	19	10.000	+.015/-0	M10x1.25	22 195	13,500	.05 .11
MCFR 26A B	MCFR 26A SB	-	-	.4 .16	N/A	.02	.7	.3937	+0.0006/-0				
MCFR 26A X	MCFR 26A SX	-	-	.4 .16	N/A	.5	.7	13.050	+0.025/-0				
MCFR 26A BX	MCFR 26A SBX	-	-	.4 .16	N/A	.5	.7	.5138	+0.0009/-0				
MCFRE 26A	MCFRE 26A S	-	-	.4 .16	N/A	.5	19	10.000	+.015/-0	M10x1.25	22 195	13,500	.05 .11
MCFRE 26A B	MCFRE 26A SB	-	-	.4 .16	N/A	.02	.7	.3937	+0.0006/-0				
MCFRE 26A X	MCFRE 26A SX	-	-	.4 .16	N/A	.5	.7	13.050	+0.025/-0				
MCFRE 26A BX	MCFRE 26A SBX	-	-	.4 .16	N/A	.5	.7	.5138	+0.0009/-0				