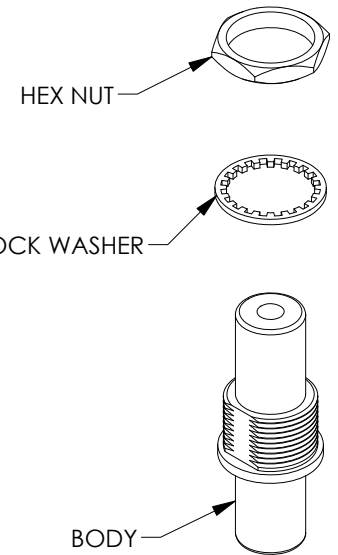
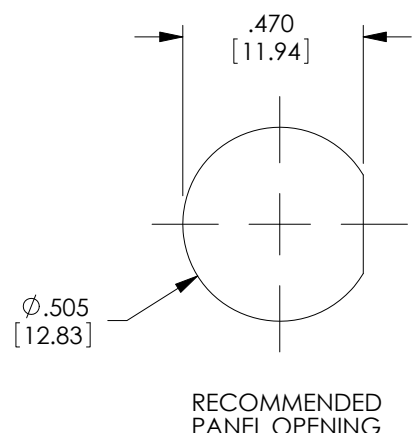
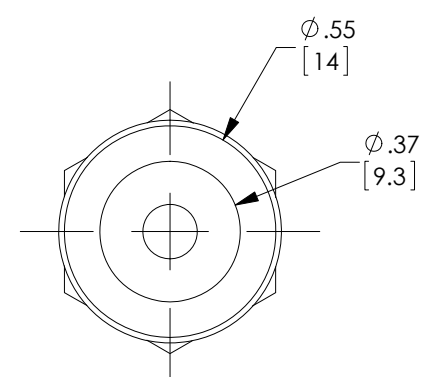
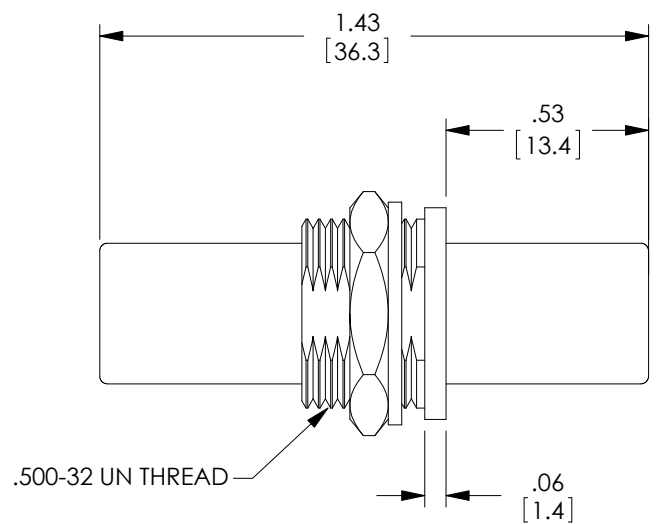
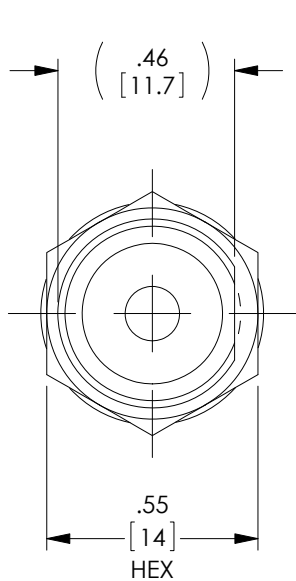


THE INFORMATION CONTAINED IN THIS DRAWING IS THE SOLE PROPERTY OF L-COM, INC. ANY REPRODUCTION IN PART OR WHOLE WITHOUT THE WRITTEN PERMISSION OF L-COM, INC. IS PROHIBITED.

REVISIONS			
REV	DESCRIPTION	DATE	APPROVED
E	ECN 8138: REVISED WASHER MATERIAL FROM STEEL TO BRASS	10/19/15	D.FRISIELLO



NOTES:

MATERIAL:

BODY: BRASS
 NUT: BRASS
 LOCK WASHER: BRASS

FINISH: NICKEL PLATED

MAXIMUM PANEL THICKNESS: 0.169 [4.3]

COUPLER SHALL BE INDIVIDUALLY PACKAGED IN ACCORDANCE WITH L-COM SPECIFICATION PS-0031.

REGULATORY COMPLIANCE:

CE2011/65/EU (RoHS DIRECTIVE)

UNLESS OTHERWISE SPECIFIED, DIMENSIONS ARE IN INCHES [mm] OVERALL CABLE LENGTH TOLERANCE: ≤12 [305] = +1 [25] / -0 >12 [305] ≤60 [1524] = +2 [51] / -0 >60 [1524] ≤120 [3048] = +4 [102] / -0 >120 [3048] ≤300 [7620] = +6 [152] / -0 >300 [7620] = +5% / -0% ALL OTHER DIMENSIONAL TOLERANCES: .X = ±.2 [5.08] .XX = ±.02 [51] .XXX = ±.005 [1.27]	APPROVALS DRAWN BY: D.CASTRO CHECKED BY: D.FRISIELLO APPROVED BY: D.PARHAM	DATE 3/17/08 3/21/08 3/21/08	45 BEECHWOOD DRIVE NORTH ANDOVER, MA 01845	
	CONFIGURATION DETAILS OF UNDIMENSIONED FEATURES MAY VARY			CATEGORY AUDIO/VIDEO
	PROJECTION 	COLOR VARIATIONS MAY OCCUR	SIZE A	FSCM NO. 43321
	SCALE: NONE		DWG. NO. BA35FF	PRODUCT DESCRIPTION 3.5MM AUDIO PANEL MT COUPLER F
SHEET 1 OF 1		CAD FILE: BA35FF.SLDDRW	REV. E	