

Speed Controller for Low Speed Operation with One-touch Fitting Elbow Type/Universal Type (Resin Body)

AS-FM Series

RoHS

Suitable for low speed control at 10 to 50 mm/sec

Since the sonic conductance of the controlled flow is approximately 1/10 that of the standard model, it is ideal for speed control of low speed cylinders at 10 to 50 mm/sec.

The dual type is particularly suitable for low speed control of small bore cylinders.

Low speed operating stroke and high speed return stroke drive

Sonic conductance of free flow is the same as that of standard model.

Speed control is easy, and uniform speed control is possible.

Applicable tubing: Inch sizes standardized

Inch sizes are now available for all models.



Model

Elbow type	Universal type	Port size	Applicable tubing O.D.														
			Metric size					Inch size									
			3.2	4	6	8	10	1/8"	5/32"	3/16"	1/4"	5/16"	3/8"				
AS12□1FM-M5	AS13□1FM-M5	M5 x 0.8	●	●	●												
AS22□1FM-01	AS23□1FM-01	R 1/8	●	●	●	●											
AS22□1FM-02	AS23□1FM-02	R 1/4		●	●	●	●										
AS12□1FM-U10/32	AS13□1FM-U10/32	10-32 UNF								●	●	●	●				
AS22□1FM-N01	AS23□1FM-N01	NPT 1/8								●	●	●	●	●			
AS22□1FM-N02	AS23□1FM-N02	NPT 1/4									●	●	●	●	●		

Specifications

Fluid	Air
Proof pressure	1.5 MPa
Max. operating pressure	1.0 MPa
Mini. operating pressure	0.1 MPa
Ambient and fluid temperature	-5 to 60°C (No freezing)
Applicable tubing material ⁽¹⁾	Nylon, Soft nylon, Polyurethane
Option ⁽²⁾	With seal, Round lock nut

Note 1) Use caution regarding the max. operating pressure when soft nylon or polyurethane, or soft polyurethane tubing is used.
(Refer to pages 464 and 465 for details.)

Note 2) M5 and 10-32UNF type ports are not available with seal.

Note 3) Brass parts are all electroless nickel plated. The lock nut of the meter-out type is zinc chromate plated (the round lock nut is electroless nickel plated), then, the handle of the M5 type and the lock nut of the meter-in type are black zinc chromate plated.

Flow Rate and Sonic Conductance

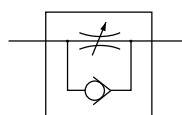
Model		AS12□1FM AS13□1FM	AS22□1FM-□01 AS23□1FM-□01	AS22□1FM-□02 AS23□1FM-□02			
Tubing O.D.	Metric size	ø3.2, ø4, ø6	ø3.2, ø4	ø6, ø8	ø4	ø6	ø8, ø10
	Inch size	ø1/8", ø5/32", ø3/16", ø1/4"	ø1/8", ø5/32"	ø3/16", ø1/4" ø5/16"	ø5/32"	ø3/16"	ø1/4", ø5/16" ø3/8"
Controlled flow	Air flow (L/min(ANR))	7	12		38		
	Sonic conductance dm ³ /(s bar)	0.02	0.04		0.12		
	Critical pressure ratio	0.2	0.25		0.3		
Free flow	Flow rate (L/min(ANR))	100	180	230	260	390	460
	Sonic conductance dm ³ /(s bar)	0.3	0.54	0.7	0.8	1.2	1.4
	Critical pressure ratio	0.4	0.2		0.3		

Note) Flow rate values are measured at 0.5 MPa and 20°C.

⚠ Caution

Be sure to read this before handling the products. Refer to back page 50 for Safety Instructions and pages 543 to 546 for Flow Control Equipment Precautions.

Symbol

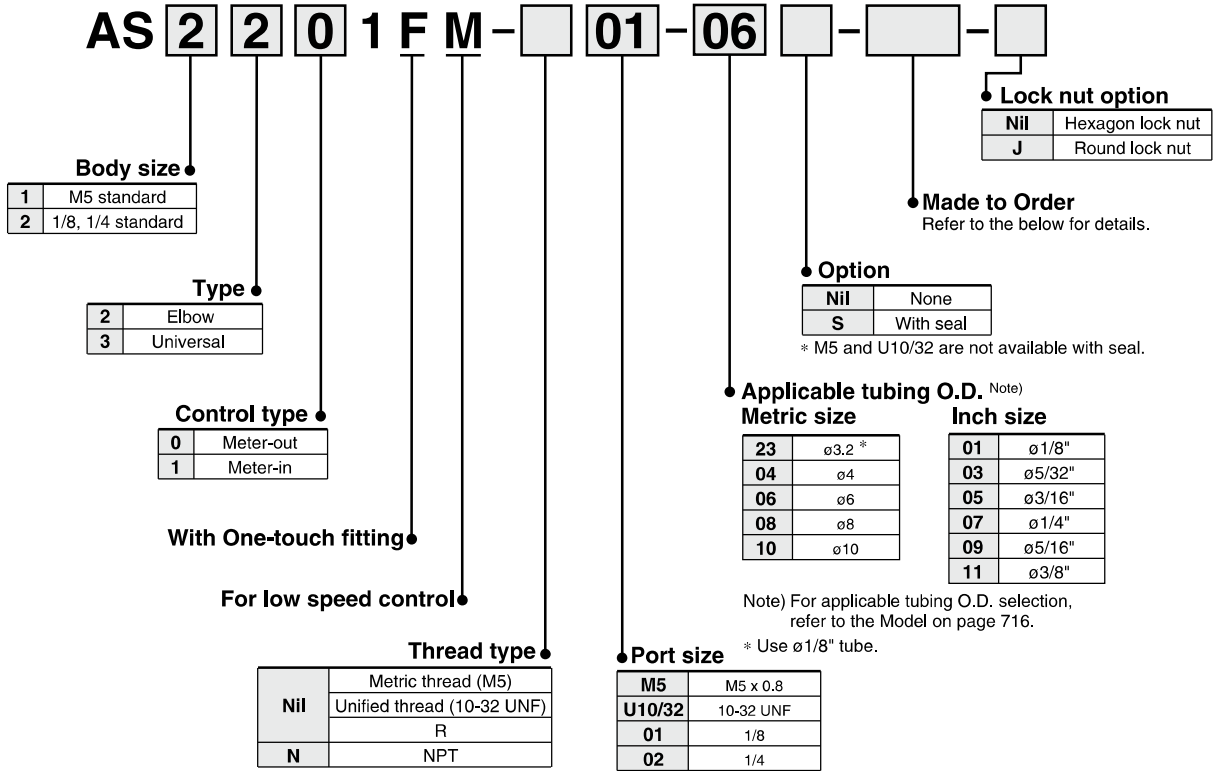


Flow Direction Symbols on Body

	Meter-out type	Meter-in type
Indication symbol		
Symbol		

Made to Order
Made to Order
(Refer to page 717 for details.)

How to Order



- AS-F
- TMH
- ASD
- AS
- AS-FE
- KE
- AS-FG
- AS-FP
- AS-FM**
- AS-D
- AS-T
- ASP
- ASN
- AQ
- ASV
- AK
- VCHC
- ASR
- ASQ

Made to Order



Lubricant: Vaseline

X12

Ex.) AS1201FM-M5-23-X12

Grease-free (Seal: Fluorine Coated) + Throttle Valve (Without Check Valve)

X21

Ex.) AS1201FM-M5-23-X21

Note 1) Not particle-free
Note 2) Throttle valve is only compatible with the part no. of the meter-out type.

Throttle Valve (Without Check Valve)

X214

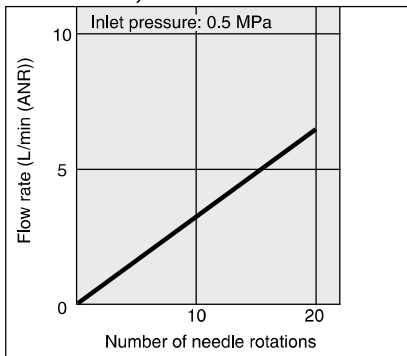
Ex.) AS1201FM-M5-23-X214

Note) Throttle valve is only compatible with the part no. of the meter-out type.

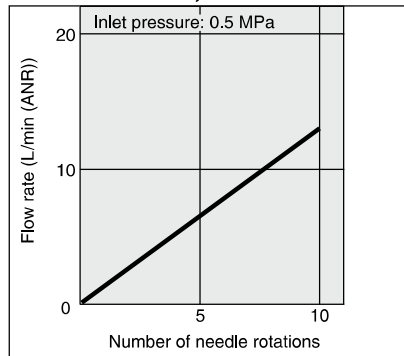
Needle Valve/Flow Rate Characteristics

Note) The flow rate characteristics are representative values.

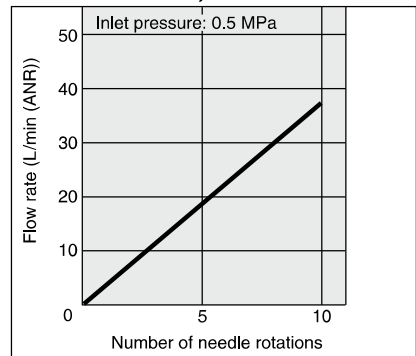
AS1201FM, AS1211FM
AS1301FM, AS1311FM



AS2201FM-□01, AS2211FM-□01
AS2301FM-□01, AS2311FM-□01



AS2201FM-□02, AS2211FM-□02
AS2301FM-□02, AS2311FM-□02

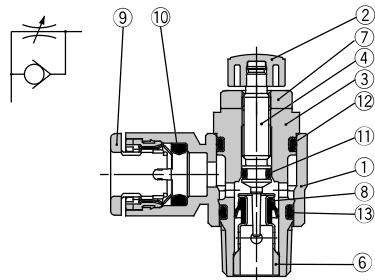


AS-FM Series

Construction: Elbow Type

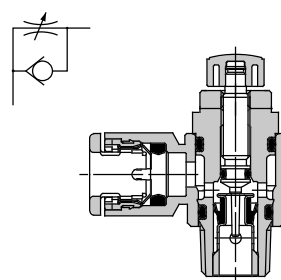
Meter-out type

Symbol

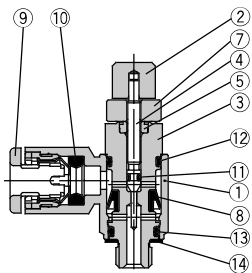


Meter-in type

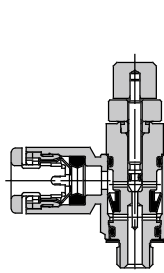
Symbol



M5 type U10/32 type



M5 type U10/32 type



Component Parts

No.	Description	Material	Note
1	Body A	PBT	White
2	Handle	PBT	Black ⁽¹⁾
3	Body B	Brass	Electroless nickel plated
4	Needle	Brass	Electroless nickel plated
5	Needle guide	Brass	Electroless nickel plated, M5 type only
6	Seat ring	Brass	Electroless nickel plated
7	Lock nut	Steel ⁽²⁾	Meter-out Zinc chromate plated ⁽³⁾ Meter-in Black zinc chromate plated
8	U seal	HNBR	
9	Cassette	—	
10	Seal	NBR	
11	O-ring	NBR	
12	O-ring	NBR	
13	O-ring	NBR	
14	Gasket	NBR, Stainless steel	M5 type only

Note 1) M5 and U10/32 types are black zinc chromate plated.

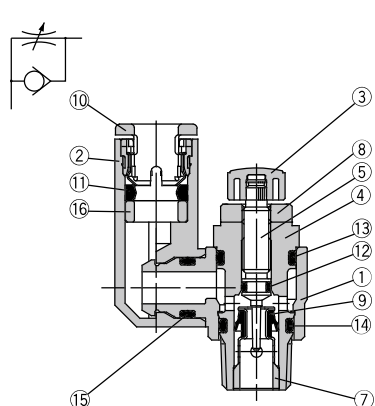
Note 2) The material of the lock nut option-J (round type) is brass. However, note that only the AS22□1FM uses steel.

Note 3) The surface treatment of the lock nut option-J (round type) is electroless nickel plated.

Construction: Universal Type

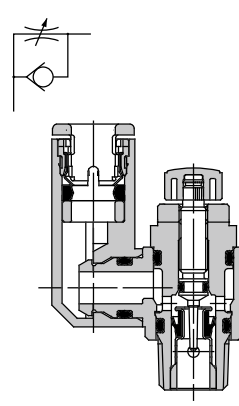
Meter-out type

Symbol

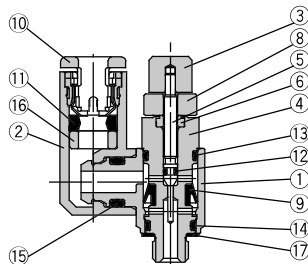


Meter-in type

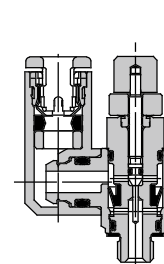
Symbol



M5 type U10/32 type



M5 type U10/32 type



Component Parts

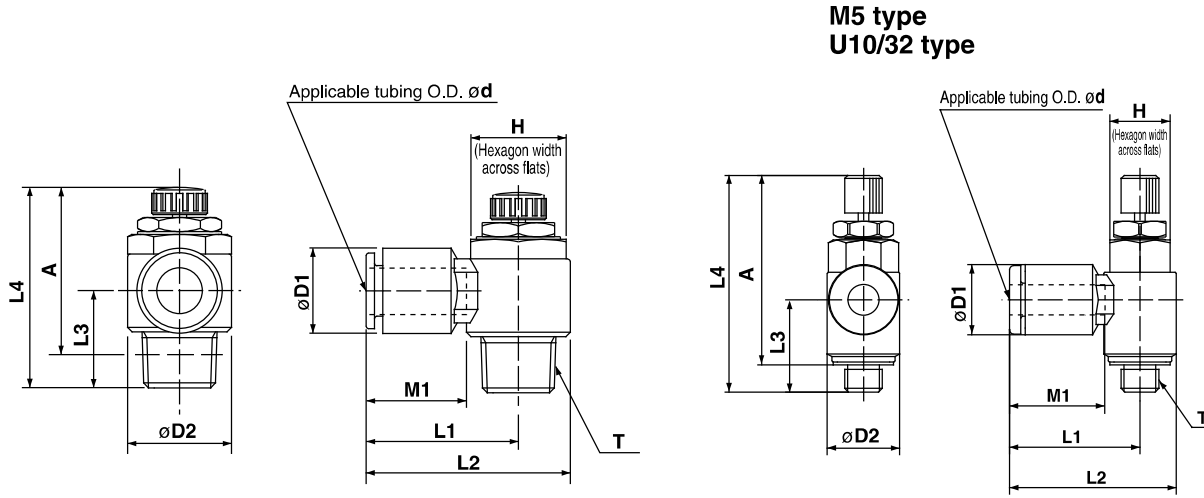
No.	Description	Material	Note
1	Body A	PBT	White
2	Elbow body	PBT	White
3	Handle	PBT	Black ⁽¹⁾
4	Body B	Brass	Electroless nickel plated
5	Needle	Brass	Electroless nickel plated
6	Needle guide	Brass	Electroless nickel plated, M5 type only
7	Seat ring	Brass	Electroless nickel plated
8	Lock nut	Steel ⁽²⁾	Meter-out Zinc chromate plated ⁽³⁾ Meter-in Black zinc chromate plated
9	U seal	HNBR	
10	Cassette	—	
11	Seal	NBR	
12	O-ring	NBR	
13	O-ring	NBR	
14	O-ring	NBR	
15	O-ring	NBR	
16	Spacer	—	
17	Gasket	NBR, Stainless steel	M5 type only

Note 1) M5 and U10/32 types are black zinc chromate plated.

Note 2) The material of the lock nut option-J (round type) is brass. However, note that only the AS23□1FM uses steel.

Note 3) The surface treatment of the lock nut option-J (round type) is electroless nickel plated.

Dimensions: Elbow Type



- AS-F
- TMH
- ASD
- AS
- AS-FE
- KE
- AS-FG
- AS-FP
- AS-FM**
- AS-D
- AS-T
- ASP
- ASN
- AQ
- ASV
- AK
- VCHC
- ASR
- ASQ

Metric Size

Model	d	T	H	D1	D2	L1	L2	L3	L4 (1) (2)		A (1) (2)		M1	Weight (g)
									Max.	Min.	Max.	Min.		
AS12□1FM-M5-23	3.2	M5 x 0.8	8	8.4	9.6	17.3	22.1	12.3	33.8	28.8	30.1	25.1	12.7	7
AS12□1FM-M5-04	4			9.3		22.1	13.5							
AS12□1FM-M5-06	6			11.6		22.9	11.7							
AS22□1FM-01-23	3.2	R 1/8	12	9.3	14.2	20.4	27.5	13.4	35.2	30.2	32.1	27.1	12.7	17
AS22□1FM-01-04	4			9.3		27.5	13.5							
AS22□1FM-01-06	6			11.6		27.5	18.5							
AS22□1FM-01-08	8			15.2		25.3	32.4						18.5	19
AS22□1FM-02-04	4	R 1/4	17	10.4	18.5	25.2	34.4	17.7	39.9	34.9	34.4	29.4	16	32
AS22□1FM-02-06	6			12.8		34.4	17							
AS22□1FM-02-08	8			15.2		36.4	18.5							
AS22□1FM-02-10	10			18.5		35.3	44.5	18.3					21.0	36

Note 1) Reference dimensions
 Note 2) Reference dimensions of M5 and R threads after installation.

Inch Size

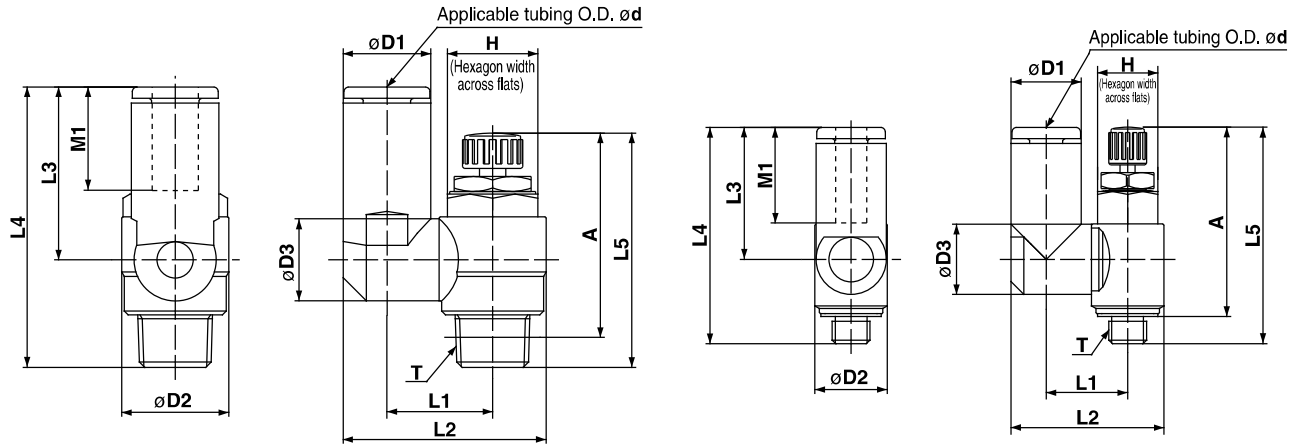
Model	d	T	H	D1	D2	L1	L2	L3	L4 (1)		A (2)		M1	Weight (g)
									Max.	Min.	Max.	Min.		
AS12□1FM-U10/32-01	1/8"	10-32 UNF	8	8.4	9.6	17.3	22.1	12.3	33.8	28.8	30.1	25.1	12.7	7
AS12□1FM-U10/32-03	5/32"			9.3		22.1	16.5							
AS12□1FM-U10/32-05	3/16"			11.4		26.1	13.5							
AS12□1FM-U10/32-07	1/4"			12		18.3	23.1						18.5	21
AS22□1FM-N01-01	1/8"	NPT 1/8	12.7	9.3	14.2	20.4	27.5	13.4	35.2	30.2	32.1	27.1	12.7	17
AS22□1FM-N01-03	5/32"			9.3		27.5	13.5							
AS22□1FM-N01-05	3/16"			13.2		31.1	17							
AS22□1FM-N01-07	1/4"			13.2		23.9	31						17	19
AS22□1FM-N01-09	5/16"			15.2		25.3	32.4	13.4					18.5	21
AS22□1FM-N02-03	5/32"	NPT 1/4	17.5	10.4	18.5	25.2	34.4	17.7	39.9	34.9	34.4	29.4	16	32
AS22□1FM-N02-05	3/16"			12.8		34.5	16.5							
AS22□1FM-N02-07	1/4"			13.2		34.5	17							
AS22□1FM-N02-09	5/16"			15.2		27.2	36.4	17.7					18.5	36
AS22□1FM-N02-11	3/8"			18.5		35.3	44.5	18.3					21	

Note 1) Reference dimensions
 Note 2) Reference dimensions of 10-32 UNF and NPT threads after installation.

AS-FM Series

Dimensions: Universal Type

M5 type



Metric Size

Model	d	T	H	D1	D2	D3	L1	L2	L3	L4	L5 (1)		A (2)		M1	Weight (g)
											Max.	Min.	Max.	Min.		
AS13□1FM-M5-23	3.2	M5 x 0.8	8	8.4	9.6	9.3	10.8	19.8	17.5	28.7	33.8	28.8	30.1	25.1	12.7	8
AS13□1FM-M5-04	4			20.3												
AS13□1FM-M5-06	6			21.4				20.6								
AS23□1FM-01-23	3.2	R 1/8	12	8.4	14.2	9.3	13.1	24.4	17.5	30.9	35.2	30.2	32.1	27.1	12.7	17
AS23□1FM-01-04	4			24.9												
AS23□1FM-01-06	6			26.9				22.9								
AS23□1FM-01-08	8	15.2	12.9	16.2	30.9	28.2	40.8	39.9	34.9	34.4	29.4	16	33			
AS23□1FM-02-04	4	10.4	10.9	16.2	30.6	21.9	39.6									
AS23□1FM-02-06	6	12.8	12.9	18.4	34	25.2	42.1									
AS23□1FM-02-08	8	15.2	12.9	18.3	35.2	28.2	45.1	20.2	38.7	31	47.9	17	36			
AS23□1FM-02-10	10	18.5	20.2	38.7	31	47.9	21							40		

Note 1) Reference dimensions

Note 2) Reference dimensions of M5 and R threads after installation.

Inch Size

Model	d	T	H	D1	D2	D3	L1	L2	L3	L4	L5 (1)		A (2)		M1	Weight (g)		
											Max.	Min.	Max.	Min.				
AS13□1FM-U10/32-01	1/8"	10-32 UNF	8	8.4	9.6	9.3	10.8	19.8	17.5	28.7	33.8	28.8	30.1	25.1	12.7	7		
AS13□1FM-U10/32-03	5/32"			20.3														
AS13□1FM-U10/32-05	3/16"			21.3				23.3									34.5	
AS13□1FM-U10/32-07	1/4"	12	21.6	20.7	31.9	35.2	30.2	32.1	27.1	16.5	18							
AS23□1FM-N01-01S	1/8"	8.4	14.2	9.3	13.1							24.4						
AS23□1FM-N01-03S	5/32"	9.3										24.9						
AS23□1FM-N01-05S	3/16"	11.4				26.8	23.9	37.3										
AS23□1FM-N01-07S	1/4"	13.2	12.9	16.2	29.9	25.6	38.2	30.9	28.2	40.8	17	19						
AS23□1FM-N01-09S	5/16"	15.2	30.9	28.2	40.8	18.5	21											
AS23□1FM-N02-03S	5/32"	NPT 1/8	12.7	10.4	14.2	10.9	16.2	30.6	21.9	39.6	35.2	30.2	32.1	27.1	16	32		
AS23□1FM-N02-05S	3/16"			11.4				31.1									23.9	41.6
AS23□1FM-N02-07S	1/4"			13.2				18.3									25.6	42.5
AS23□1FM-N02-09S	5/16"	15.2	12.9	18.3	35.2	28.2	45.1	39.9	34.9	34.4	29.4	17	36					
AS23□1FM-N02-11S	3/8"	17.9	20.2	38.7	31	47.9	21							40				

Note 1) Reference dimensions

Note 2) Reference dimensions of 10-32 UNF and NPT threads after installation.

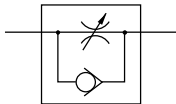
Speed Controller for Low Speed Operation Standard Type (Metal Body)

AS-M Series

RoHS



Symbol



Model/Specifications

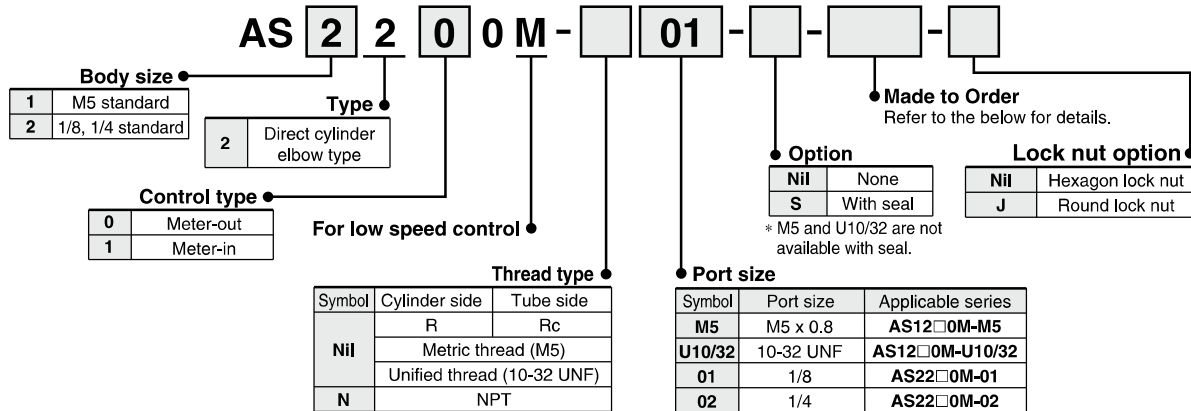
Model		AS12□0M		AS22□0M-□01		AS22□0M-□02	
Port size	Cylinder side	M5 x 0.8	10-32 UNF	R 1/8	NPT 1/8	R 1/4	NPT 1/4
	Tubing side			Rc 1/8		Rc 1/4	
Fluid							
Air							
Proof pressure							
1.5 MPa							
Max. operating pressure							
1.0 MPa							
Min. operating pressure							
0.1 MPa							
Ambient and fluid temperature							
-5 to 60°C (No freezing)							
Option							
Round lock nut With seal, Round lock nut							
Weight (g)		11.5	36	74			
Controlled flow	Flow rate (L/min (ANR))	7	12	38			
	Sonic conductance dm ³ /(s·bar)	0.02	0.04	0.12			
	Critical pressure ratio	0.2	0.25	0.3			
Free flow	Flow rate (L/min (ANR))	105	280	420			
	Sonic conductance dm ³ /(s·bar)	0.32	0.86	1.3			
	Critical pressure ratio	0.4	0.2	0.3			

Note 1) Flow rate values are measured at 0.5 MPa and 20°C.

Note 2) Meter-out and meter-in types can be visually differentiated by the lock nut. Meter-out type is electroless nickel plated (the round lock nut is electroless nickel plated), while meter-in type is black zinc chromate plated.

Note 3) Brass parts are all electroless nickel plated. The handle is black zinc chromate plated.

How to Order



Made to Order



Lubricant: Vaseline

X12

Ex.) AS2200M-01-X12

Grease-free (Seal: Fluorine Coated) +
Throttle Valve (Without Check Valve)

X21

Ex.) AS2200M-01-X21

Note 1) Not particle-free

Note 2) Throttle valve is only compatible with the part no. of the meter-out type.

Throttle Valve (Without Check Valve) **X214**

Ex.) AS2200M-01-X214

Note) Throttle valve is only compatible with the part no. of the meter-out type.

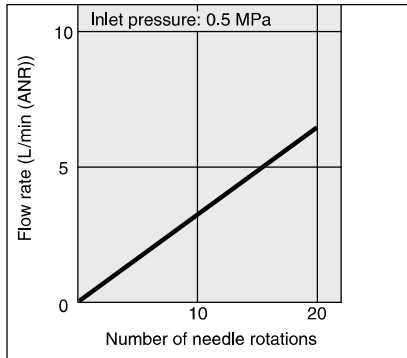
AS-F
TMH
ASD
AS
AS-FE
KE
AS-FG
AS-FP
AS-FM
AS-D
AS-T
ASP
ASN
AQ
ASV
AK
VCHC
ASR
ASQ

AS-M Series

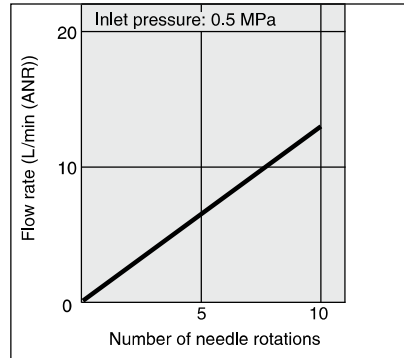
Needle Valve/Flow Rate Characteristics

Note) The flow rate characteristics are representative values.

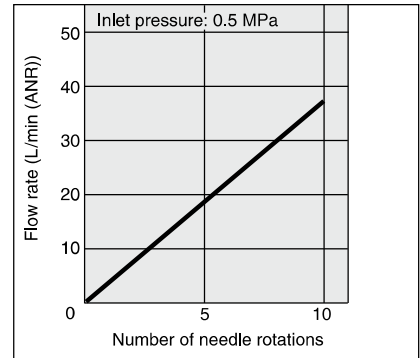
AS12□0M



AS22□0M-□01



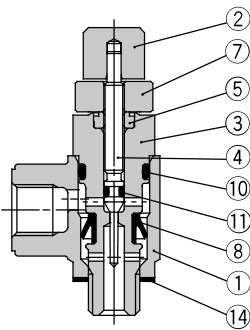
AS22□0M-□02



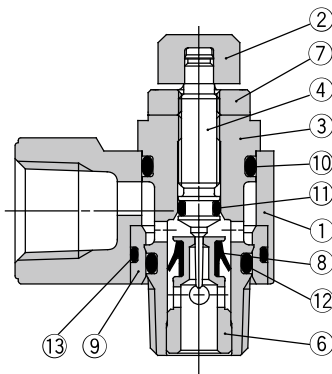
Construction

Meter-out type

AS1200M

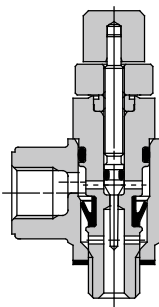


AS2200M

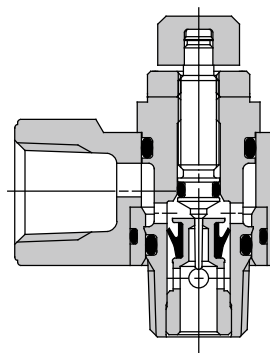


Meter-in type

AS1210M



AS2210M



Component Parts

No.	Description	Material	Note	
1	Body A	Zinc alloy	Chromate treated	
2	Handle	Brass	Black zinc chromate plated	
3	Body B	Brass	Electroless nickel plated	
4	Needle	Brass	Electroless nickel plated	
5	Needle guide	Brass	Electroless nickel plated	
6	Seat ring	Brass	Electroless nickel plated	
7	Lock nut	Steel ⁽¹⁾	Meter-out	Zinc chromate plated ⁽²⁾
			Meter-in	Black zinc chromate plated
8	U seal	HNBR		
9	Bushing	PBT		
10	O-ring	NBR		
11	O-ring	NBR		
12	O-ring	NBR		
13	O-ring	NBR		
14	Gasket	NBR/Stainless steel		

Note 1) The material of the lock nut option-J (round type) is brass. However, note that only the AS22□0M uses steel.

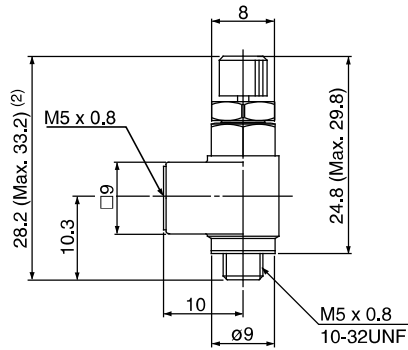
Note 2) The surface treatment of the lock nut option-J (round type) is electroless nickel plated.

⚠ Caution

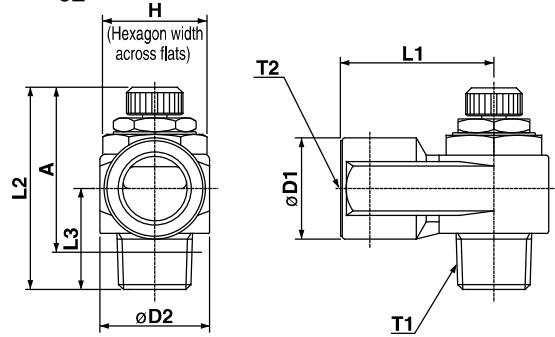
Be sure to read this before handling the products. Refer to back page 50 for Safety Instructions and pages 543 to 546 for Flow Control Equipment Precautions.

Dimensions

AS12□0M



AS22□0M-□⁰¹₀₂



Dimensions

Model	T1	T2	H	L1	L2 (1)		L3	D1	D2	A (2)	
					Max.	Min.				Max.	Min.
AS12□0M-M5	M5 x 0.8		8	10	33.2	28.2	10.3	9	9	29.8	24.8
AS12□0M-U10/32	10-32 UNF										
AS22□0M-01	R 1/8	Rc 1/8	12	18	35.5	30.5	13.2	14.3	14.6	32.4	27.4
AS22□0M-N01	NPT 1/8		12.7								
AS22□0M-02	R 1/4	Rc1/4	17	27.2	39.4	35.4	17.5	18	19.5	34.9	29.9
AS22□0M-N02	NPT 1/4		17.5								

Note 1) Reference dimensions

Note 2) Dimensions of R and NPT threads after installation.

AS-F

TMH

ASD

AS

AS-FE

KE

AS-FG

AS-FP

AS-FM

AS-D

AS-T

ASP

ASN

AQ

ASV

AK

VCHC

ASR

ASQ

Speed Controller for Low Speed Operation with One-touch Fitting In-line Type

AS-FM Series



Model

Model	Applicable tubing O.D.								
	Metric size				Inch size				
	3.2	4	6	8	1/8"	5/32"	3/16"	1/4"	5/16"
AS1001FM	●	●	●		●	●	●	●	
AS2001FM		●	●			●	●	●	
AS2051FM			●	●			●	●	●

Specifications

Fluid	Air
Proof pressure	1.5 MPa
Max. operating pressure	1 MPa
Min. operating pressure	0.1 MPa
Ambient and fluid temperature	-5 to 60°C (No freezing)
Applicable tubing material ⁽¹⁾	Nylon, Soft nylon, Polyurethane

Note 1) Use caution regarding the max. operating pressure when soft nylon or polyurethane tubing is used.
(Refer to pages 464 and 465 for details.)

Note 2) Brass parts are all electroless nickel plated. The handle of the M5 type is black zinc chromate plated.

Flow Rate and Sonic Conductance

Flow Direction Symbols on Body



Model		AS1001FM	AS2001FM	AS2051FM		
Tubing O.D.	Metric size	ø3.2,ø4,ø6	ø4	ø6	ø6	ø8
	Inch size	ø1/8",ø5/32",ø3/16"ø1/4"	ø5/32"	ø3/16",ø1/4"	ø3/16"	ø1/4",ø5/16"
Controlled flow	Flow rate (L/min (ANR))	7	12	38		
	Sonic conductance dm ³ /(s·bar)	0.02	0.04	0.12		
	Critical pressure ratio	0.2	0.2	0.2		
Free flow	Flow rate (L/min (ANR))	100	130	230	290	460
	Sonic conductance dm ³ /(s·bar)	0.3	0.4	0.7	0.9	1.4
	Critical pressure ratio	0.25				

Note) Flow rate values are measured at 0.5 MPa and 20°C.

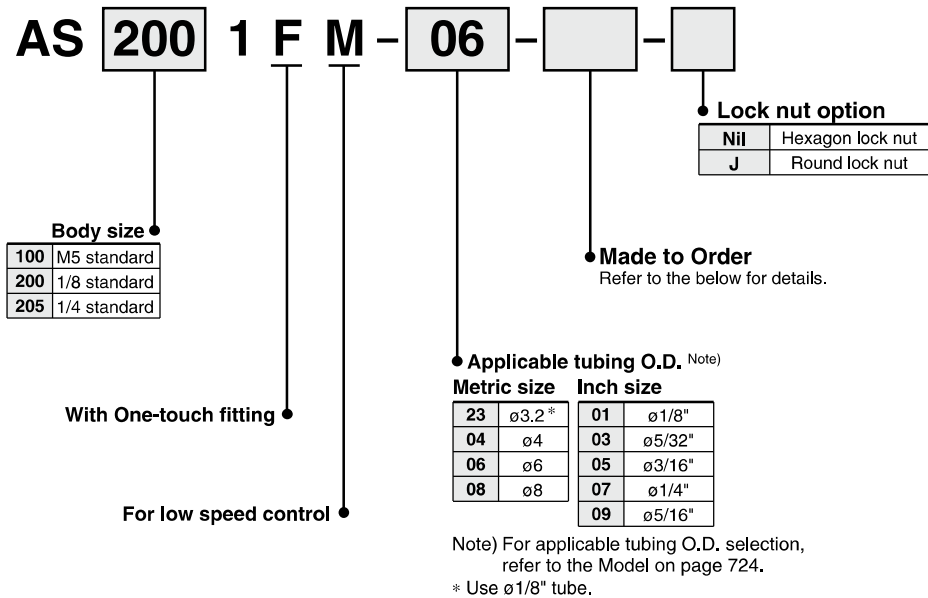
⚠ Caution

Be sure to read this before handling the products. Refer to back page 50 for Safety Instructions and pages 543 to 546 for Flow Control Equipment Precautions.



Made to Order
(Refer to page 725 for details.)

How to Order



- AS-F
- TMH
- ASD
- AS
- AS-FE
- KE
- AS-FG
- AS-FP
- AS-FM**
- AS-D
- AS-T
- ASP
- ASN
- AQ
- ASV
- AK
- VCHC
- ASR
- ASQ

Made to Order



Lubricant: Vaseline **X12**

Ex.) AS2001FM-04-X12

Grease-free (Seal: Fluorine Coated) + Throttle Valve (Without Check Valve) **X21**

Ex.) AS2001FM-04-X21

Note 1) Not particle-free

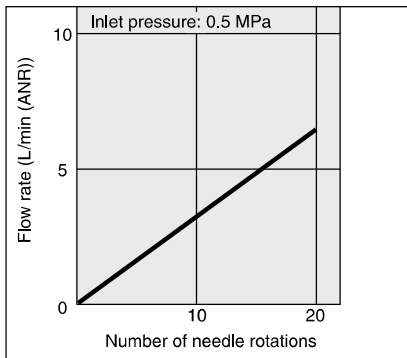
Throttle Valve (Without Check Valve) **X214**

Ex.) AS2001FM-04-X214

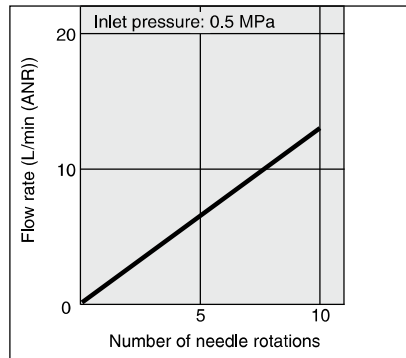
Needle Valve/Flow Rate Characteristics

Note) The flow rate characteristics are representative values.

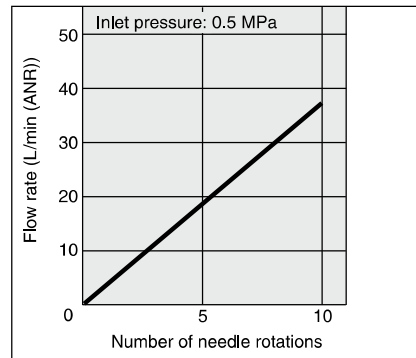
AS1001FM



AS2001FM

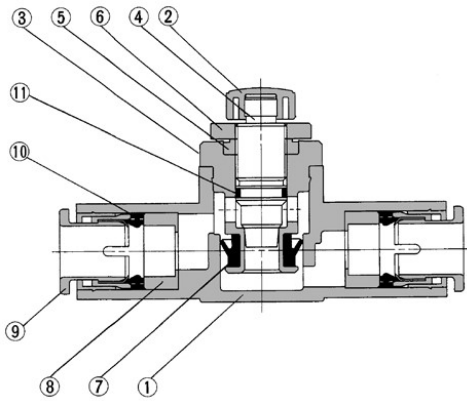


AS2051FM



AS-FM Series

Construction



Component Parts

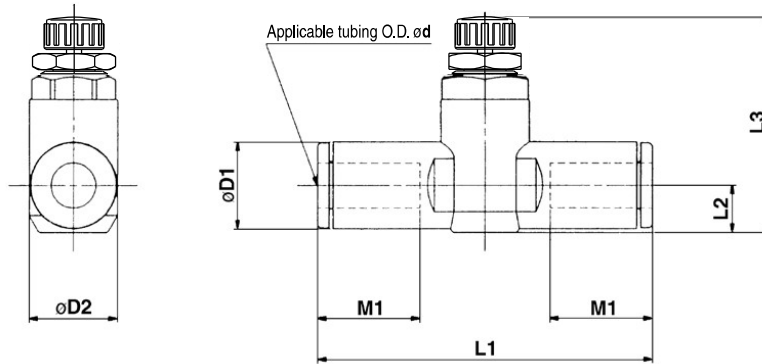
No.	Description	Material	Note
1	Body A	PBT	
2	Handle	PBT ⁽¹⁾	Black
3	Body B	Brass	Electroless nickel plated
4	Needle	Brass	Electroless nickel plated
5	Needle guide	Brass	Electroless nickel plated
6	Lock nut	Steel ⁽³⁾	Zinc chromated ⁽²⁾
7	U seal	HNBR	
8	Spacer	—	
9	Cassette	—	
10	Seal	NBR	
11	O-ring	NBR	

Note 1) AS1001FM type is made of brass (black zinc chromate plated).

Note 2) The round lock nut is electroless nickel plated.

Note 3) For round lock nut, only the AS1001FM uses brass.

Dimensions



Metric Size

Model	d	D1	D2	L1	L2	L3		M1	Weight (g)
						Max.	Min.		
AS1001FM-23	3.2	8.4	10.5	38	4.5	27.7	24.9	12.7	6
AS1001FM-04	4	9.3		39.2	5.2	28.5	25.5	7	
AS1001FM-06	6	11.6	12.3	40.7	6.2	29.8	26.6	13.7	8
AS2001FM-04	4	9.3		40.7	5.2	32.6	27.6	12.7	12
AS2001FM-06	6	11.6	15.5	44.8	6.3	33.7	28.7	13.7	13
AS2051FM-06	6	12.8		53.2	6.7	35.2	30.2	17	26
AS2051FM-08	8	15.2	59.8	8.1	36.5	31.5	18	31	

Inch Size

Model	d	D1	D2	L1	L2	L3 ⁽¹⁾		M1	Weight (g)
						Max.	Min.		
AS1001FM-01	1/8"	8.4	10.5	38	4.5	27.7	24.9	12.7	6
AS1001FM-03	5/32"	9.3		39.2	5.2	28.5	25.5	7	
AS1001FM-05	3/16"	11.4	12.3	48.7	6.2	27.7	24.7	16.5	8
AS1001FM-07	1/4"	12		40.7	5.2	32.6	27.6	13.7	9
AS2001FM-03	5/32"	9.3	15.5	40.7	5.2	32.6	29.6	12.7	12
AS2001FM-05	3/16"	11.4		50	6.2	33.6	28.6	16.5	18
AS2001FM-07	1/4"	13.2	17	52.2	7.1	34.5	29.5	17	21
AS2051FM-05	3/16"	11.4		52.2	6.2	34.6	29.6	16.5	24
AS2051FM-07	1/4"	13.2	18	54.4	7.1	35.5	30.5	17	26
AS2051FM-09	5/16"	15.2		59.8	8.1	36.5	31.5	18	31

Note 1) Reference dimensions

Dual Speed Controller for Low Speed Operation with One-touch Fitting

ASD-FM Series



Two flow control valves and check valves integrated.

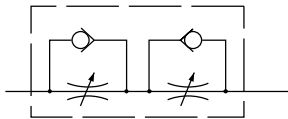
Prevention of a stick-slip phenomenon, and speed control of a single acting cylinder.

Stable speed control is achievable even with load fluctuations.

Low speed control for small bore cylinders.



Symbol



Flow Direction Symbols on Body

	Meter-out type	Meter-in type
Indication symbol		
Symbol		

Made to Order
(Refer to page 728 for details.)

Model

Model	Applicable tubing									
	Metric size				Inch size					
	4	6	8	10	1/8"	5/32"	3/16"	1/4"	5/16"	3/8"
ASD230FM-M5	●	●								
ASD330FM-01		●	●							
ASD430FM-02		●	●	●						
ASD230FM-U10/32					●	●	●	●		
ASD330FM-N01							●	●	●	
ASD430FM-N02								●	●	●

Specifications

Fluid	Air
Proof pressure	1.5 MPa
Max. operating pressure	1 MPa
Min. operating pressure	0.1 MPa
Ambient and fluid temperature	-5 to 60°C (No freezing)
Applicable tubing material ⁽¹⁾	Nylon, Soft nylon, Polyurethane

Note 1) Use caution regarding the max. operating pressure when soft nylon or polyurethane tubing is used.

(Refer to pages 464 to 465 for details.)

Note 2) Brass parts are all electroless nickel plated. The lock nut of the meter-out type is zinc chromate plated (the round lock nut is electroless nickel plated), then, the handle of the M5 type and the lock nut of the meter-in type are black zinc chromate plated.

Flow Rate and Sonic Conductance

Model	ASD230FM	ASD330FM	ASD430FM		
	Metric size	ø4,ø6	ø6,ø8	ø6	ø8,ø10
	Inch size	ø1/8",ø5/32" ø3/16",ø1/4"	ø3/16",ø1/4"	—	ø1/4",ø5/16" ø3/8"
Controlled flow	Flow rate (L/min(ANR))	7	12	38	
	Sonic conductance dm ³ /(s·bar)	0.02	0.04	0.12	
	Critical pressure ratio	0.25	0.2	0.2	
Free flow	Flow rate (L/min(ANR))	7	12	38	
	Sonic conductance dm ³ /(s·bar)	0.02	0.04	0.12	
	Critical pressure ratio	0.3	0.15	0.15	

Note) Flow rate values are measured at 0.5 MPa and 20°C.

AS-F

TMH

ASD

AS

AS-FE

KE

AS-FG

AS-FP

AS-FM

AS-D

AS-T

ASP

ASN

AQ

ASV

AK

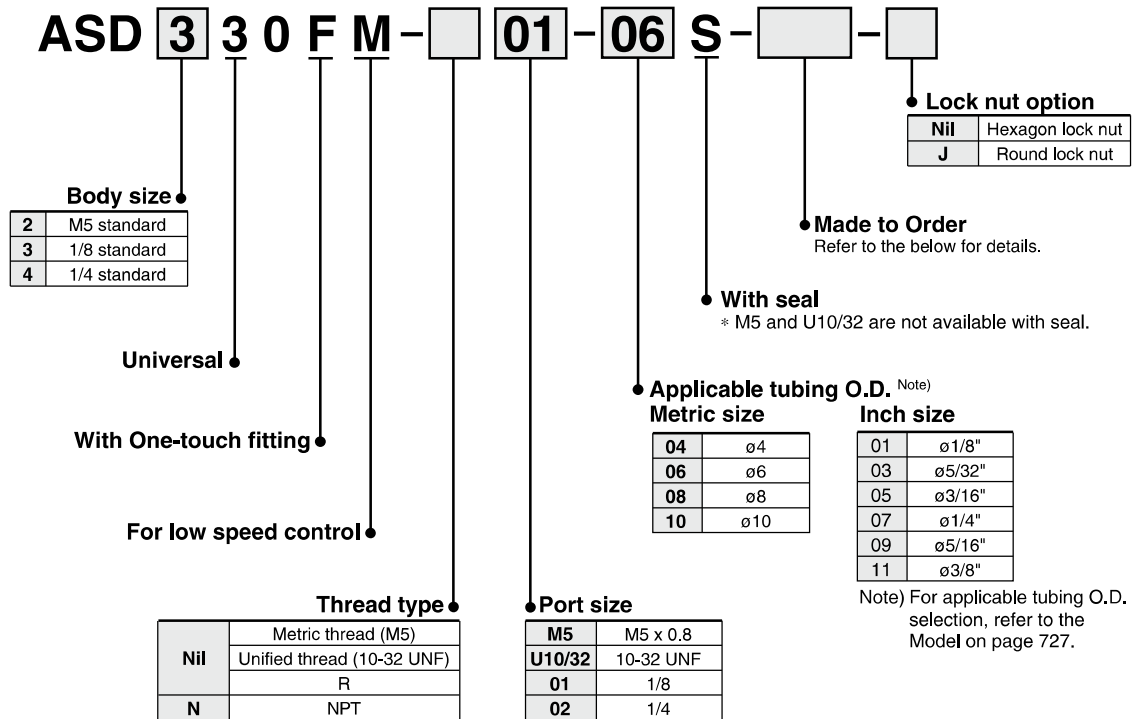
VCHC

ASR

ASQ

ASD-FM Series

How to Order



Made to Order



Lubricant: Vaseline

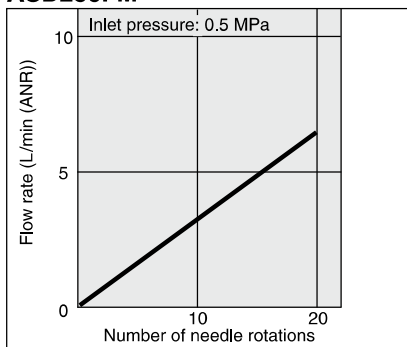
X12

Ex.) ASD230FM-M5-X12

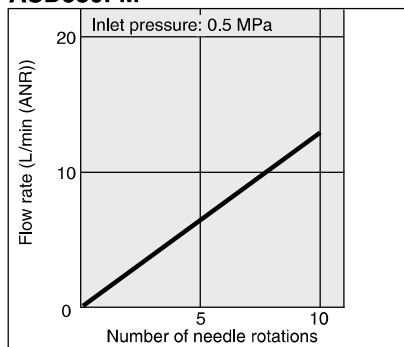
Needle Valve/Flow Rate Characteristics

Note) The flow rate characteristics are representative values.

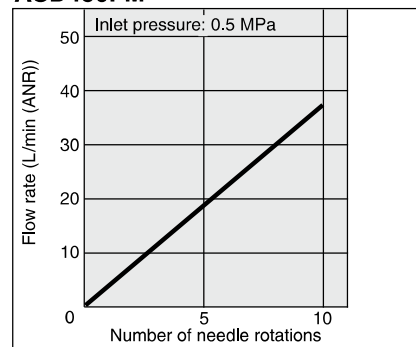
ASD230FM



ASD330FM



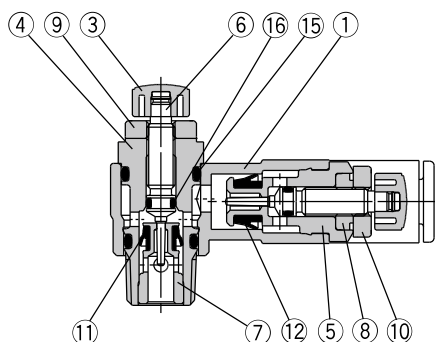
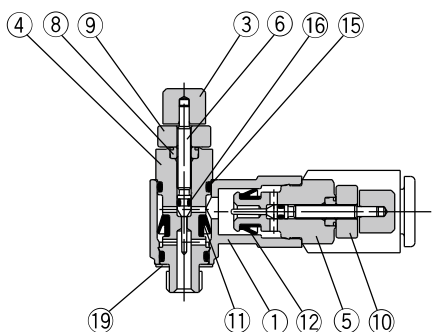
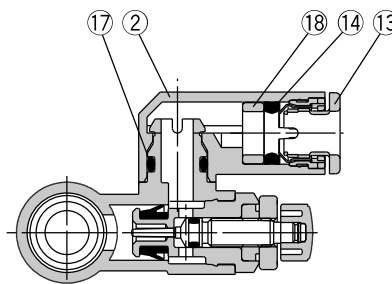
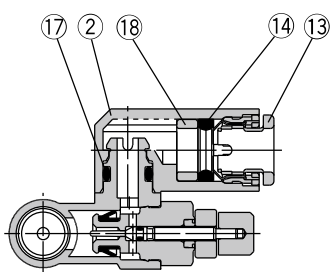
ASD430FM



Construction

ASD230FM

ASD330FM/430FM



Component Parts

No.	Description	Material	Note
1	Body A	PBT	
2	Elbow body	PBT	
3	Handle	PBT ⁽¹⁾	Black
4	Body B	Brass	Electroless nickel plated
5	Body B	Brass	Electroless nickel plated
6	Needle	Brass	Electroless nickel plated
7	Seat ring	Brass	Electroless nickel plated
8	Needle guide	Brass	Electroless nickel plated
9	Lock nut	Steel ⁽²⁾	Zinc chromated ⁽³⁾
10	Lock nut	Steel ⁽²⁾	Black zinc chromated

Component Parts

No.	Description	Material	Note
11	U seal	HNBR	
12	U seal	HNBR	
13	Cassette	—	
14	Seal	NBR	
15	O-ring	NBR	
16	O-ring	NBR	
17	O-ring	NBR	
18	Spacer	—	
19	Gasket	NBR, Stainless steel	M5 type only

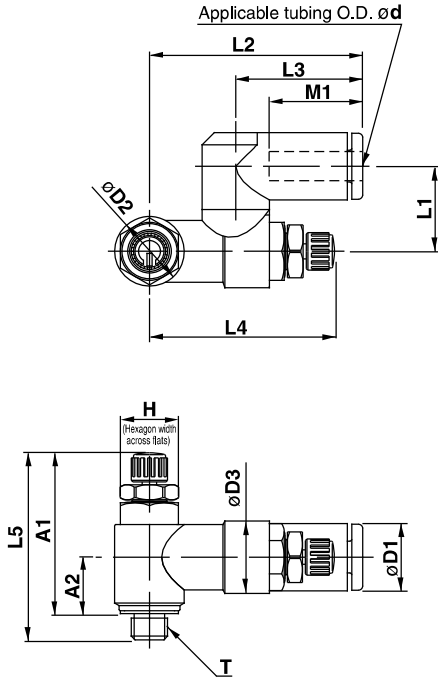
Note 1) ASD230FM type is made of brass (black zinc chromate plated).
 Note 2) The material of the lock nut option-J (round type) is brass. However, note that only the ASD330FM and ASD430FM use steel.
 Note 3) The surface treatment of the lock nut option-J (round type) is electroless nickel plated.

- AS-F
- TMH
- ASD
- AS
- AS-FE
- KE
- AS-FG
- AS-FP
- AS-FM**
- AS-D
- AS-T
- ASP
- ASN
- AQ
- ASV
- AK
- VCHC
- ASR
- ASQ

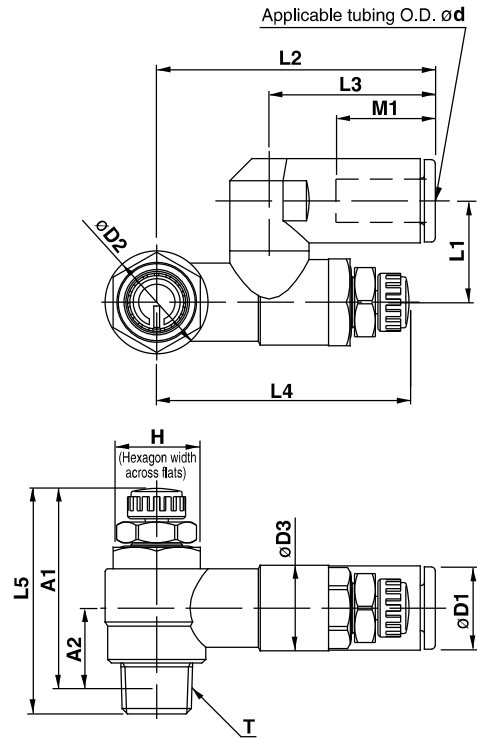
ASD-FM Series

Dimensions: Metric Size

ASD230FM



ASD330FM/430FM



Metric Size

Model	d	T	H	D1	D2	D3	L1	L2	L3	L4		L5 ⁽¹⁾		A1 ⁽²⁾		A2 ⁽²⁾	M1	Weight (g)
										Max.	Min.	Max.	Min.	Max.	Min.			
ASD230FM-M5-04	4	M5 x 0.8	8	9.3	9.6	10	11.7	29.4	17.5	34.6	29.6	33.8	28.8	30.1	25.1	7.8	12.9	12
ASD230FM-M5-06	6			11.6				20.6										
ASD330FM-01-06S	6	R 1/8	12	11.6	14.2	11.8	14	38.5	22.9	39.6	34.6	35.2	30.2	32.1	27.1	10.6	13.7	29
ASD330FM-01-08S	8			15.2				28.2	38.9									
ASD430FM-02-06S	6	R 1/4	17	12.8	18.5	15	18	43.5	25.2	41.8	36.8	39.9	34.9	34.4	29.4	11	17	53
ASD430FM-02-08S	8			15.2				28.2										
ASD430FM-02-10S	10			18.5				31										

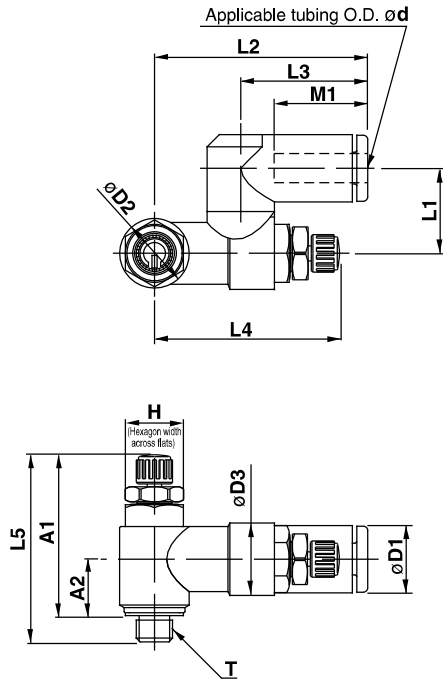
Note 1) Reference dimensions

Note 2) Reference dimensions of M5 x 0.8, R threads after installation.

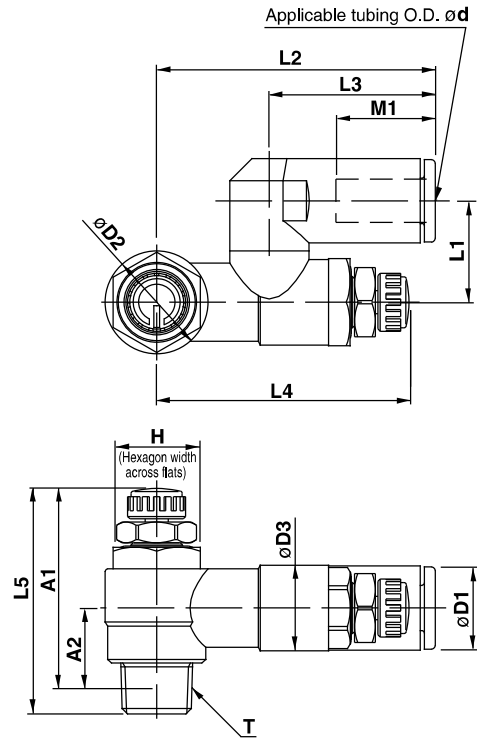
Dual Speed Controller for Low Speed Operation with One-touch Fitting **ASD-FM Series**

Dimensions: Inch Size

ASD230FM



ASD330FM/430FM



Inch Size

Model	d	T	H	D1	D2	D3	L1	L2	L3	L4		L5 ⁽¹⁾		A1 ⁽²⁾		A2 ⁽²⁾	M1	Weight (g)
										Max.	Min.	Max.	Min.	Max.	Min.			
ASD230FM-U10/32-01	1/8"	10-32 UNF	8	8.4	9.6	10	11.7	29.4	17.5	34.6	29.6	33.8	28.8	30.1	25.1	7.8	12.9	12
ASD230FM-U10/32-03	5/32"			9.3														13
ASD230FM-U10/32-05	3/16"			11.4														16.5
ASD230FM-U10/32-07	1/4"			12														13.5
ASD330FM-N01-05S	3/16"	NPT 1/8	12.7	11.4	14.2	11.8	14	39.5	23.9	39.6	34.6	35.2	30.2	32	27	10.6	16.5	30
ASD330FM-N01-07S	1/4"			13.2			15.8	42.2	25.6	38.9	33.9						17	31
ASD330FM-N01-09S	5/16"			15.2			44.8	28.2	18.5									
ASD430FM-N02-07S	1/4"	NPT 1/4	17.5	13.2	18.5	15	18	43.9	25.6	41.7	36.7	39.9	34.9	34.6	29.6	11	17	55
ASD430FM-N02-09S	5/16"			15.2				46.5	28.2								18.5	
ASD430FM-N02-11S	3/8"			18.5				49.3	32.6								21	

Note 1) Reference dimensions

Note 2) Reference dimensions of 10-32UNF and NPT threads after installation.

- AS-F
- TMH
- ASD
- AS
- AS-FE
- KE
- AS-FG
- AS-FP
- AS-FM**
- AS-D
- AS-T
- ASP
- ASN
- AQ
- ASV
- AK
- VCHC
- ASR
- ASQ



ASD-FM Series Specific Product Precautions

Be sure to read this before handling the products. Refer to back page 50 for Safety Instructions and pages 543 to 546 for Flow Control Equipment Precautions.

Design/Selection

⚠ Caution

1. Single acting cylinder

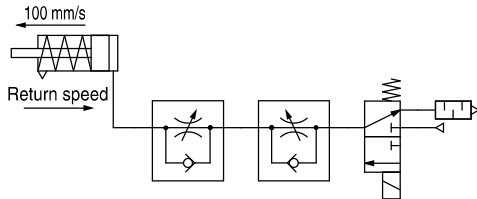
When controlling a single acting cylinder, the cylinder's return speed will differ depending on the operating conditions. Operate after confirming the maximum return speeds shown in the table below.

Speed Controller	Cylinder	Solenoid valve	Tubing	Silencer	Max. return speed (mm/s)		
					10	20	30
ASD230FM	CJ2	SYJ500	TU0604 1 m	AN110-01	ø6		
					ø10		
					ø16		
ASD330FM	CM2	SYJ700	TU0604 1 m	AN110-01	ø20		
					ø25		
					ø32		

* Values are measured at 0.5 MPa and 20°C.

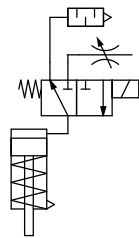
<Operating conditions>

- Cylinder extension speed: 100 mm/s
- Meter-out needle fully open



(Reference) Recommended circuit for high return speed

When low extension speed and high return speed are desired, the following circuit using 3-port is recommended.



Note) Use AS-FM series with -X214 for the throttle valve.