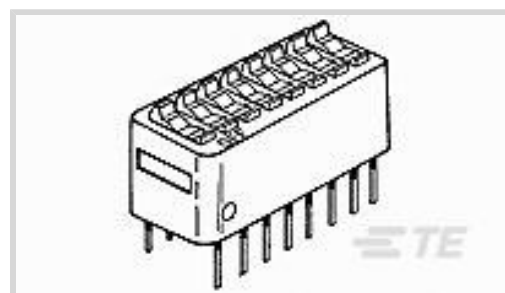




Relays, Contactors & Switches > Switches > DIP & SIP Switches



DIP & SIP Switch Product Type: **Switch**

DIP & SIP Switch Contact Mating Area Plating Material: **Gold**

DIP & SIP Switch Housing Color: **Blue**

DIP & SIP Switch Housing Material: **Polyester GF**

Auto-Insertable: **No**

Features

Product Type Features

DIP & SIP Switch Product Type	Switch
Sealed DIP & SIP Switch	Yes
DIP & SIP Switch Type	DIP
Actuator Style	Rocker (Top Actuated)

Configuration Features

Number of Positions	8
Number of Switches	8
Configuration (Pole-Throw)	Single Pole - Single Throw

Electrical Characteristics

DIP & SIP Switch Voltage Rating	40 VDC
---------------------------------	--------

Body Features

Seal Type	Standard
-----------	----------

Contact Features

Solder Tail Contact Plating	Tin
	30 μ m
DIP & SIP Switch Contact Mating Area Plating Material	Gold
Auto-Insertable	No
DIP & SIP Switch Contact Current Rating	1 A



Contact Base Material	Copper Alloy
-----------------------	--------------

Termination Features

Termination Post Length	3.56 mm[.14 in]
-------------------------	-----------------

Mechanical Attachment

Mounting Angle	Vertical
DIP & SIP Switch Mounting Type	Through Hole

Housing Features

DIP & SIP Switch Housing Color	Blue
DIP & SIP Switch Housing Material	Polyester GF
DIP & SIP Switch Centerline	2.54 mm[.1 in]

Dimensions

Height	8.64 mm[.34 in]
Length	22.3 mm[.88 in]

Packaging Features

Packaging Method	Tube
Packaging Quantity	21

Other

Comment	All switches are bottom sealed.
---------	---------------------------------

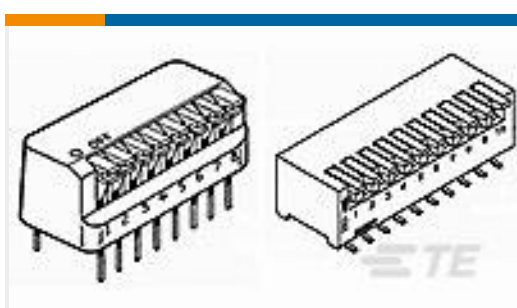
Product Compliance

[For compliance documentation, visit the product page on TE.com>](#)

EU RoHS Directive 2011/65/EU	Compliant
EU ELV Directive 2000/53/EC	Compliant
China RoHS 2 Directive MIIT Order No 32, 2016	No Restricted Materials Above Threshold
EU REACH Regulation (EC) No. 1907/2006	Current ECHA Candidate List: JAN 2021 (211) Candidate List Declared Against: JAN 2020 (205) SVHC > Threshold: Not Yet Reviewed
Halogen Content	Not Low Halogen - contains Br or Cl > 900 ppm.
Solder Process Capability	Wave solder capable to 265°C

This information is provided based on reasonable inquiry of our suppliers and represents our current actual knowledge based on the information they provided. This information is subject to change. The part numbers that TE has identified as EU RoHS compliant have a maximum concentration of 0.1% by weight in homogenous materials for lead, hexavalent chromium, mercury, PBB, PBDE, DBP, BBP, DEHP, DIBP, and 0.01% for cadmium, or qualify for an exemption to these limits as defined in the Annexes of Directive 2011/65/EU (RoHS2). Finished electrical and electronic equipment products will be CE marked as required by Directive 2011/65/EU. Components may not be CE marked. Additionally, the part numbers that TE has identified as EU ELV compliant have a maximum concentration of 0.1% by weight in homogenous materials for lead, hexavalent chromium, and mercury, and 0.01% for cadmium, or qualify for an exemption to these limits as defined in the Annexes of Directive 2000/53/EC (ELV). Regarding the REACH Regulation, the information TE provides on SVHC in articles for this part number is based on the latest European Chemicals Agency (ECHA) 'Guidance on requirements for substances in articles' posted at this URL: <https://echa.europa.eu/guidance-documents/guidance-on-reach>

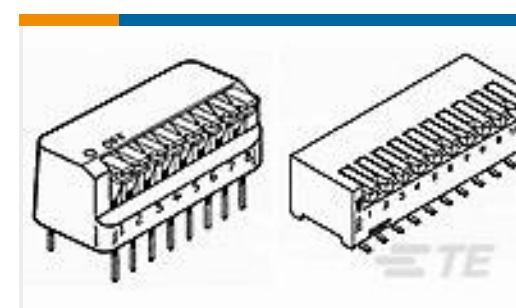
Compatible Parts



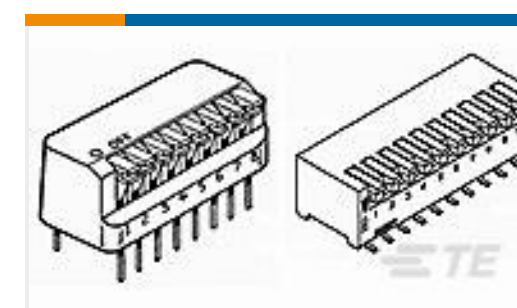
TE Part # 2-5435802-2
RIGHT ANGLE DIP SW 12 P SEALED



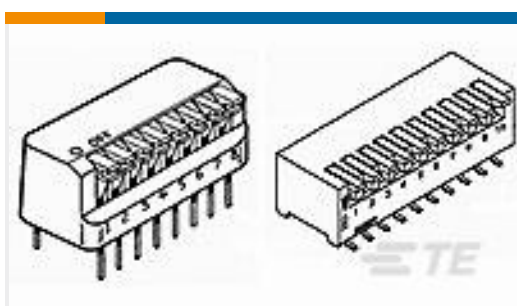
TE Part # 9-435626-2
LOW PRO DIP SW 8POS W/TAPE AU



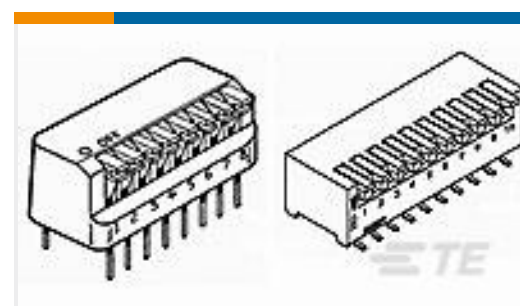
TE Part # 5435802-2
RIGHT ANGLE DIP SW 3P AU



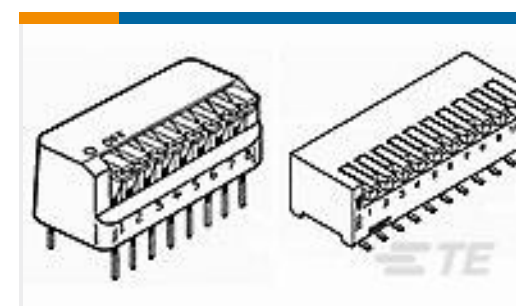
TE Part # 5435802-7
RIGHT ANGLE DIP SW 9P AU



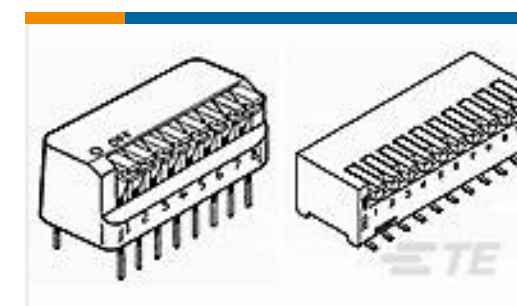
TE Part # 5435802-4
RIGHT ANGLE DIP SW 5P AU



TE Part # 2-5435802-0
RIGHT ANGLE DIP SW 10 P SEALED



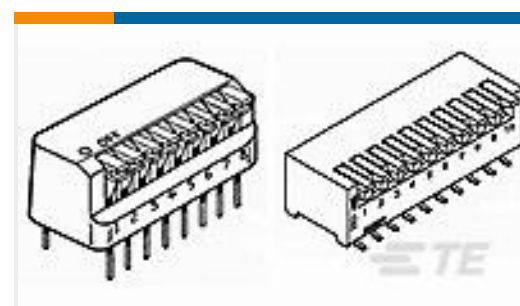
TE Part # 5435802-3
RIGHT ANGLE DIP SW 4P AU



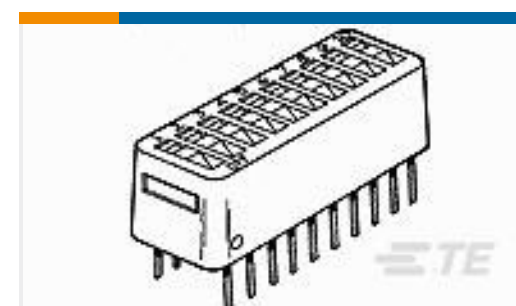
TE Part # 1-5435802-5
RIGHT ANGLE DIP SW 4 P SEALED



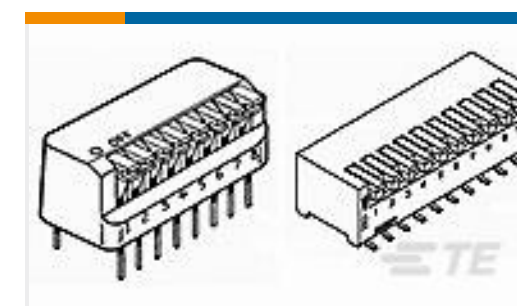
TE Part # 3-435470-1
DIP SW ASSY-BLK MPMT-4POS



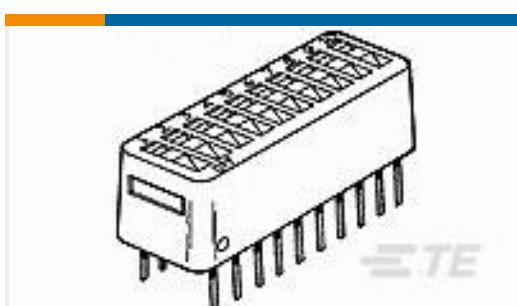
TE Part # 1-5435802-6
RIGHT ANGLE DIP SW 5 P SEALED



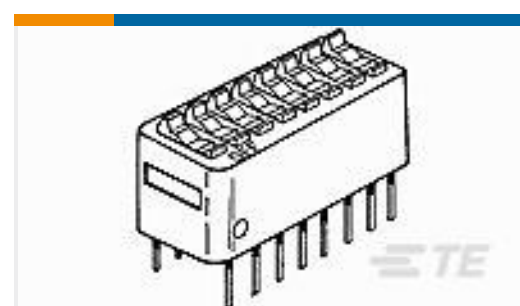
TE Part # 2-5435668-5
DIP SW 6 POSN W/TAPE AU



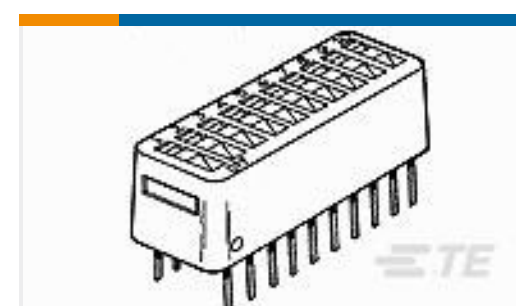
TE Part # 1-5435802-0
RIGHT ANGLE DIP SW 2 POS AU



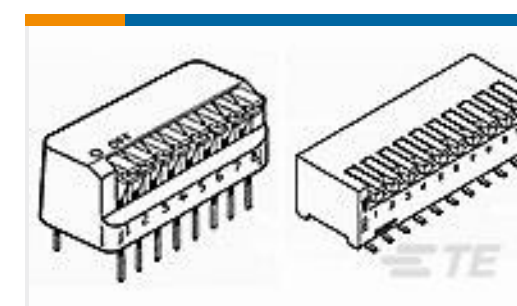
TE Part # 4-435626-2
DIP SW 8 POSN W/TAPE AU



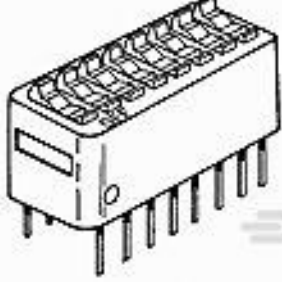
TE Part # 2-5435166-9
DIP SW ASSY-BLK SPST-2POS



TE Part # 435668-7
LO PROFILE DIP SW 8P AU



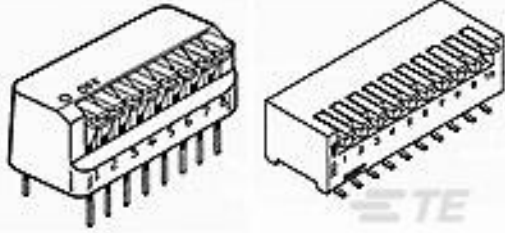
TE Part # 3-5435802-8
8P,RT ANGLE,DIP SW, TAPE SEAL

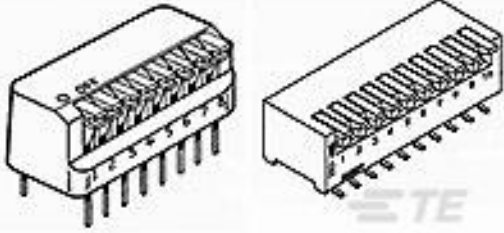
TE Part # 5-5435166-3
7000 DIP SW 8 POSN SEALED



TE Part # 5435166-2
DIP SW ASSY-BLK SPST-4POS

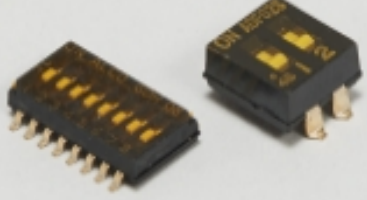


TE Part # 6-5435802-3
DIP SW 10P SIDE ACT SPLC MK



TE Part # 435802-9
RIGHT ANGLE DIP SW 8 P SEALED

Also in the Series | Alcoswitch 7100



DIP & SIP Switches(35)

Customers Also Bought



TE Part #9-146305-0
40 MODII HD SRRA B/A .100CL,LF



TE Part #2-767004-2
MICT,RECPT,038,ASSY,.025,REC



TE Part #221789-1
JACK,PCB,SERIES SMA



TE Part #1825007-1
DRD10CE04=ROT DIP,10P




TE Part #2-644486-6
06P MTA100 SHRDED HDR ASSY SN



TE Part #3-1437651-4
6DBL-02-006=6DBL ASSEMBLY



TE Part #1825011-2
ASF22G04=DPDT AUTOSLIDE



TE Part #3-435640-9
DIP SW 8 POSN SEALED



TE Part #102312-1
Universal Headers: Ejector Latch



TE Part #1-770170-1
03P MINI UMNL ASSY VO SNAU LF



Documents

Product Drawings

[DIP SW 8 POSN SEALED](#)

English

CAD Files

[3D PDF](#)

English

Customer View Model

[ENG_CVM_3-5435640-9_A1.3d_igs.zip](#)

English

Customer View Model

[ENG_CVM_3-5435640-9_A1.3d_stp.zip](#)

English

Customer View Model

[ENG_CVM_3-5435640-9_A1.2d_dxf.zip](#)

English

By downloading the CAD file I accept and agree to the [Terms and Conditions](#) of use.

Product Specifications

[Application Specification](#)

English

Product Environmental Compliance

[MD_3-5435640-9_04032018851_dmtec](#)

English

[MD_3-5435640-9_04032018851_dmtec](#)

English

Instruction Sheets

[Instruction Sheet \(U.S.\)](#)

English