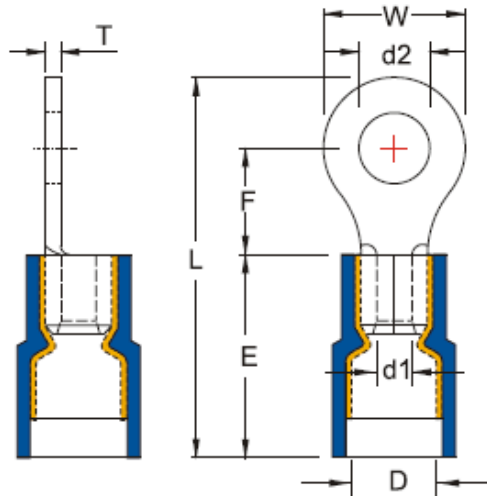
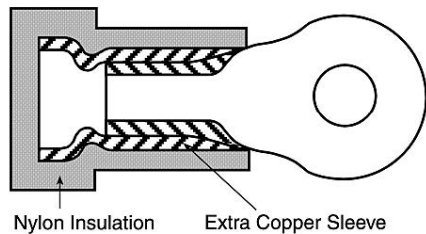


Datasheet

RS PRO Yellow Insulated Crimp Ring Terminal, 4mm² to 6mm², 12 AWG to 10 AWG, 6.4mm Stud Size

RS Stock number [267-6441](#)



Technical Specification

Maximum Electrical Current: 12 AWG: 35A, 10 AWG: 50A

Maximum Electrical Rating: 105°C 600V maximum

Insulation Material: Nylon

Insulation Colour: Yellow

Terminal Material: Copper

Double Crimp: With copper sleeve on barrel

Dimensions

Wire Size (mm ² /AWG)	Stud Size		Dimensions (inch/mm)						
	d2		W	F	L	E	D	d1	T
	Size	(inch/mm)							
4 - 6 mm ² /12-10 AWG	1/4	.252/6.4	.472/12.0	.413/10.5	1.161/29.5	.512/13.0	.276/7.0	.134/3.4	.039/1.0