

LINEAR ACTUATORS

T Series

CAPACITY:	27 - 1015 lbs (120 - 4515 N)
SPEED:	0.2 - 1.89 in/s (6 - 48 mm/s)
VOLTAGE:	12, 24 VDC
TEMPERATURE RANGE:	-13°F to 150°F (-25°C to 65°C)
ENVIRONMENTAL RATING:	IP66 protection LT IP66D protection XLT

Note: Low temperature grease available please consult the factory

FEATURES & BENEFITS

- Internal limit switches safely stop operation at fully retracted and fully extended positions
- Improved strength from zinc die cast housing
- IP66 protection enables operation in rugged outdoor environments
- Corrosion resistant, aluminum outer tube
- No restraining torque required due to keyed translating tube

OPTIONS

- Control LT Actuators' motion through wired or wireless handsets
- Sync multiple actuators using an AC controller
- Positioning feedback via potentiometer
- Design custom configurations with our application engineering team

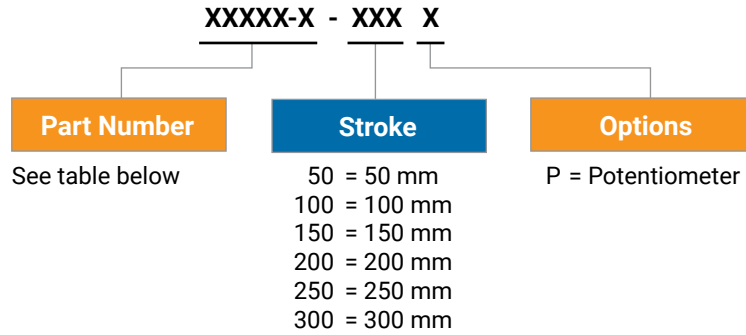


LT



XLT

CATALOG NUMBER CONFIGURATION KEY



Example: LT100-1-50 P = LT series, 12 VDC, 50 mm stroke, Potentiometer

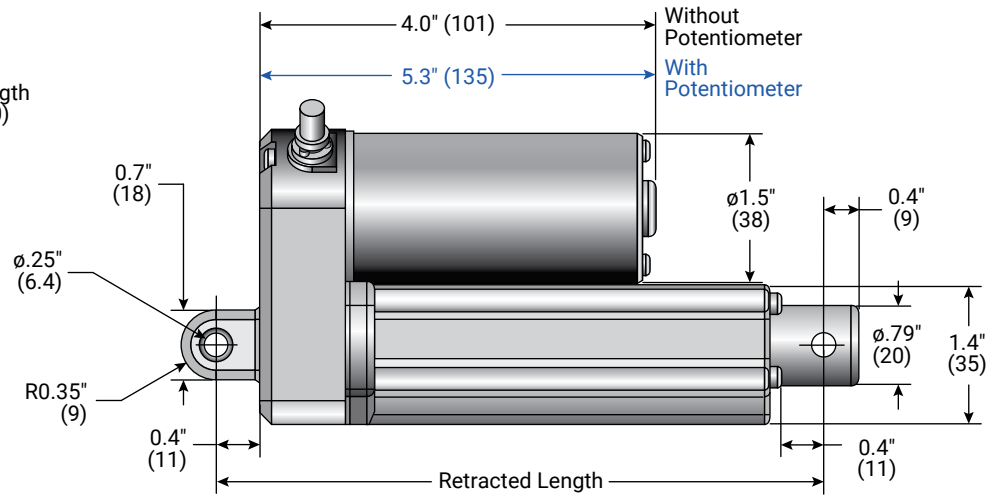
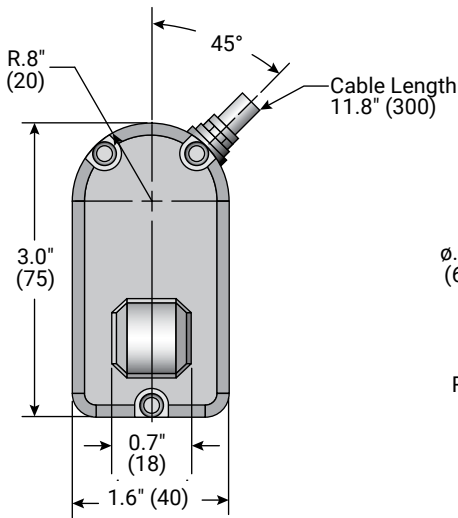
PART NUMBERS and PRODUCT SPECIFICATIONS

Part Number	Series	Voltage	Dynamic Rated Load	Max Stroke Length	Speed at Rated Load	Current Draw at Rated Load	Temp. Range	Restraining Torque	Duty Cycle at Rated Load	Screw	Mechanical Brake	Clutch	Limit Switches
#	Prefix	VDC	lbs (N)	in (mm)	in/s (mm/s)	A	°F (°C)		%	Type			
LT25-1	LT	12	27 (120)	11.81 (300)	1.3 (33)	2.5	-13 to 150 (-25 to 65)	Keyed	20	ACME	—	—	Included
LT50-1		12	54 (240)	11.81 (300)	0.9 (23)	3.5	-13 to 150 (-25 to 65)	Keyed	20	ACME	—	—	Included
LT100-1		12	112 (500)	11.81 (300)	0.5 (12)	3.5	-13 to 150 (-25 to 65)	Keyed	20	ACME	—	—	Included
LT150-1		12	169 (750)	11.81 (300)	0.3 (8)	3.5	-13 to 150 (-25 to 65)	Keyed	20	ACME	—	—	Included
LT225-1		12	225 (1000)	11.81 (300)	0.2 (6)	3.5	-13 to 150 (-25 to 65)	Keyed	20	ACME	—	—	Included
LT25-2	LT	24	27 (120)	11.81 (300)	1.3 (33)	1.5	-13 to 150 (-25 to 65)	Keyed	20	ACME	—	—	Included
LT50-2		24	54 (240)	11.81 (300)	0.9 (23)	2	-13 to 150 (-25 to 65)	Keyed	20	ACME	—	—	Included
LT100-2		24	112 (500)	11.81 (300)	0.5 (12)	2	-13 to 150 (-25 to 65)	Keyed	20	ACME	—	—	Included
LT150-2		24	169 (750)	11.81 (300)	0.3 (8)	2	-13 to 150 (-25 to 65)	Keyed	20	ACME	—	—	Included
LT225-2		24	225 (1000)	11.81 (300)	0.2 (6)	2	-13 to 150 (-25 to 65)	Keyed	20	ACME	—	—	Included
XLT500-1	XLT	12	565 (2513)	11.81 (300)	1.89 (48)	25.0	-13 to 150 (-25 to 65)	Keyed	20	Ball	Included	Optional	Included
XLT700-1		12	790 (3514)	11.81 (300)	1.00 (25)	18.0	-13 to 150 (-25 to 65)	Keyed	20	Ball	Included	Optional	Included
XLT1000-1		12	1015 (4515)	11.81 (300)	0.55 (14)	13.0	-13 to 150 (-25 to 65)	Keyed	20	Ball	Included	Optional	Included
XLT500-2		24	565 (2513)	11.81 (300)	1.89 (48)	12.5	-13 to 150 (-25 to 65)	Keyed	20	Ball	Included	Optional	Included
XLT700-2		24	790 (3514)	11.81 (300)	1.00 (25)	9.0	-13 to 150 (-25 to 65)	Keyed	20	Ball	Included	Optional	Included
XLT1000-2		24	1015 (4515)	11.81 (300)	0.55 (14)	6.5	-13 to 150 (-25 to 65)	Keyed	20	Ball	Included	Optional	Included

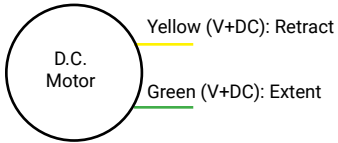


DIMENSIONAL DRAWINGS and WIRING DIAGRAMS

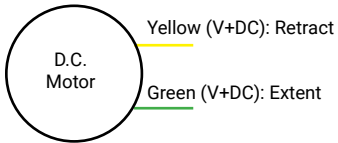
LT Series



Standard Model

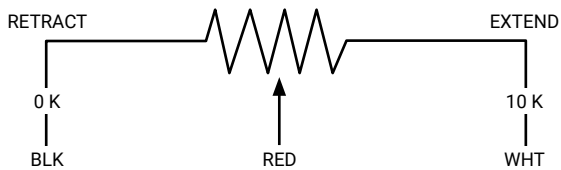


Potentiometer Model



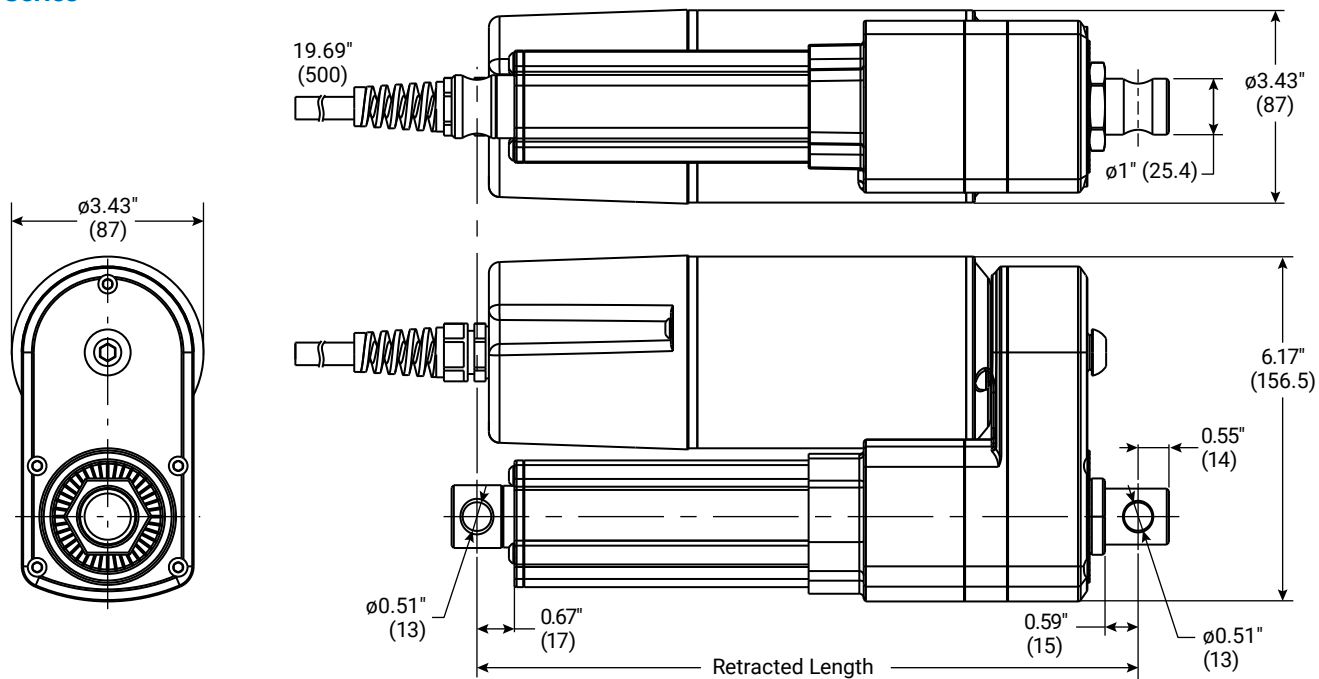
Series	Stroke Length	Without POT		With POT	
		Retracted Length	Retracted Length	Retracted Length	Retracted Length
		in	mm	in	mm
LT	50	6.1	155	7.4	189
	100	8	205	9.4	239
	150	10	255	11.4	289
	200	12	307	13.4	341
	250	14	357	15.4	391
	300	16	407	17.4	441

Potentiometer Stroke mm (in)	50 (1.97)	100 (3.94)	150 (5.91)	200 (7.87)	250 (9.84)	300 (11.81)
POT Travel (% of 10K)	47%	50%	71%	94%	39%	47%



DIMENSIONAL DRAWINGS and WIRING DIAGRAMS

XLT Series



Series	Stroke Length		Retracted Length	
	mm	in	mm	in
XLT	50	9.88	251	
	100	11.85	301	
	150	13.82	351	
	200	15.79	401	
	250	17.76	451	
	300	19.72	501	