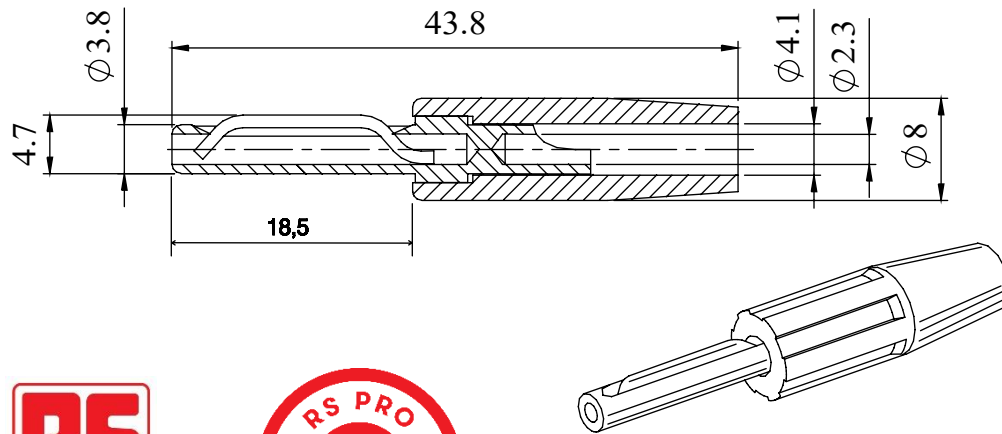


STANDARD 4mm PLUG

Rigid screw on acetal body which comes in a range of standard colours for easy identification. This range of products caters for a broad range of test instrumentation and speaker applications. The plug pin comes with a solder bucket for secure cable fixing. Custom colours can be supplied ask sales for further details

Dimensions



550 PART INFORMATION

MATERIAL		
HOUSING	ACETAL	VARIOUS COLOURS
PLUG BODY	BRASS	SILVER PLATED
SPRING	STAINLESS STEEL, SPRING STEEL	SELF COLOUR
ELECTRICAL		
AMPS	10A	
NOMINAL WORKING VOLTAGE	50V	
CONTACT RESISTANCE	10mΩ	
TEMPERATURE RANGE	-20°C to +110°C	
RECOMMENDED TEMPERATURE	10A at 55°C	
VOLTAGE BREAKDOWN	5000V	
RECOMMENDED CONDUCTOR SIZE	1.5mm ²	
PART NUMBER	COLOUR	
550-0100	BLACK	
550-0200	BLUE	
550-0300	BROWN	
550-0400	GREEN	
550-0500	RED	
550-0600	WHITE	
550-0700	YELLOW	

UNLESS OTHERWISE SPECIFIED DIMENSIONS ARE IN MILLIMETRES
 LINEAR & RADIAL TOLERANCE:
NO DECIMAL PLACES ±0.2mm
1 DECIMAL PLACE ±0.1mm
2 DECIMAL PLACES ±0.05mm
ANGULAR TOLERANCE: ±1°

IF IN DOUBT ASK! DO NOT SCALE DRAWING!

FINISH SEE TABLE
 MATERIAL SEE TABLE
 THE FINISHED PRODUCT SHOULD BE CLEAN AND FREE FROM ALL LIQUIDS AND DEBRIS. SURFACES SHOULD BE OF UNIFORM APPEARANCE FREE FROM SHARP EDGES, BURRS AND CORROSION

AUTHOR	SB	TITLE	GENERAL SPECIFICATION
EDITOR	DT	FILE	550 SERIES
APPROVER	PA	PART	4mm Banana Plug Range
THIRD ANGLE PROJECTION	SHEET 1 OF 1	ISSUE/REV.	007
SCALE	1:1	A4	RELEASED
		EDIT DATE	04/05/2020
		RELEASE DATE	12/05/2020