

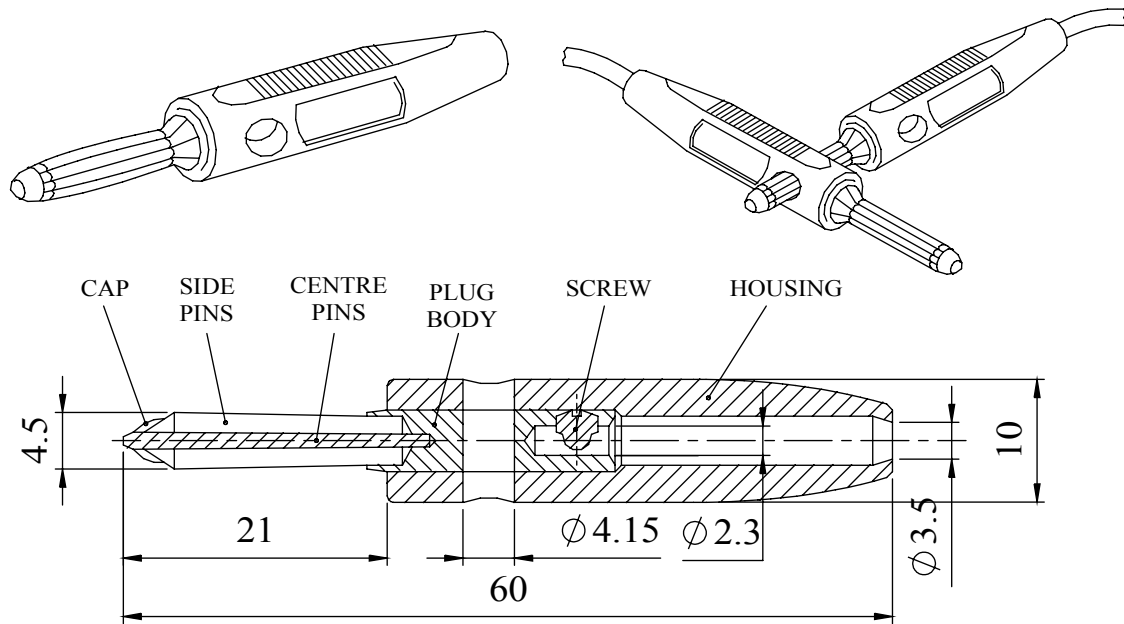
This side stackable plug has a screw connection for the lead wire and a push-on pliable PVC moulding. The conductor and outside diameter cable entry sizes are designed to suit PVC or silicone rubber flexible test cables up to 2,5mm<sup>2</sup>.

**MATERIAL**

CAP : Brass  
 SIDE PINS : Brass  
 CENTRE PIN : Brass  
 PLUG BODY : Brass  
 HOUSING : PVC 36/20(000-050-0000)  
 SCREW : Brass, M3,5x0,6  
 PLATING - BRIGHT NICKEL Over Copper

RATING : 16 Amps  
 RATED VOLTAGE: 50V

**Dimensions**



COLOUR	ORDER CODE
BLACK	2121231
BLUE	2121232
BROWN	
GREEN	
RED	2121233
WHITE	2121234
YELLOW	2121235



**BUNCH PIN SIDE STACKABLE PLUG**

UNLESS OTHERWISE SPECIFIED:  
 DIMENSIONS ARE IN MILLIMETRES  
 LINEAR TOLERANCE:  
**NO DECIMAL PLACES ±0.5mm**  
**1 DECIMAL PLACE ±0.25mm**  
**2 DECIMAL PLACES ±0.125mm**  
 ANGULAR TOLERANCE: ±1°

FINISH SEE NOTE  
 DEBURR AND BREAK SHARP EDGES  
 IF IN DOUBT ASK DO NOT SCALE DRAWING  
 MATERIAL SEE NOTE

DRAWN BY SPB  
 APPROVED BY WC  
 THIRD ANGLE PROJECTION

SHEET 1 OF 1  
 SCALE 1:1  
 A4

TITLE GENERAL SPECIFICATION  
 555 SERIES  
 BUNCH PIN SIDE STACKABLE PLUG  
 DRAWING NO. 555 SERIES  
 ISSUE 07  
 Release