

FEATURES

-
-
-
-
-

RS PRO Banana Plugs & Connectors - Red Female Banana Connectors - Solder

RS Stock No.: 2121228,1806644



RS Professionally Approved Products bring to you professional quality parts across all product categories. Our product range has been tested by engineers and provides a comparable quality to the leading brands without paying a premium price.

Product Description

Rigid panel mounting socket retained in place by a nut which accepts 4mm diameter plugs. Is suitable for panels up to 13.5mm thick. Connection is via solder tag although a solder bucket version is available.

General Specifications

Type	Panel Mounting Socket
Colour	Red
Gender	Female
Contact Material	Brass
Contact Plating	Silver Plated

Electrical Specifications

Voltage Rating	50V
Current Rating	10A
Termination Method	Solder
Insulation Material	Polypropylene

Mechanical Specifications

Length	28.5mm
Maximum Panel Thickness	13.5mm MAX

Operation Environment Specifications

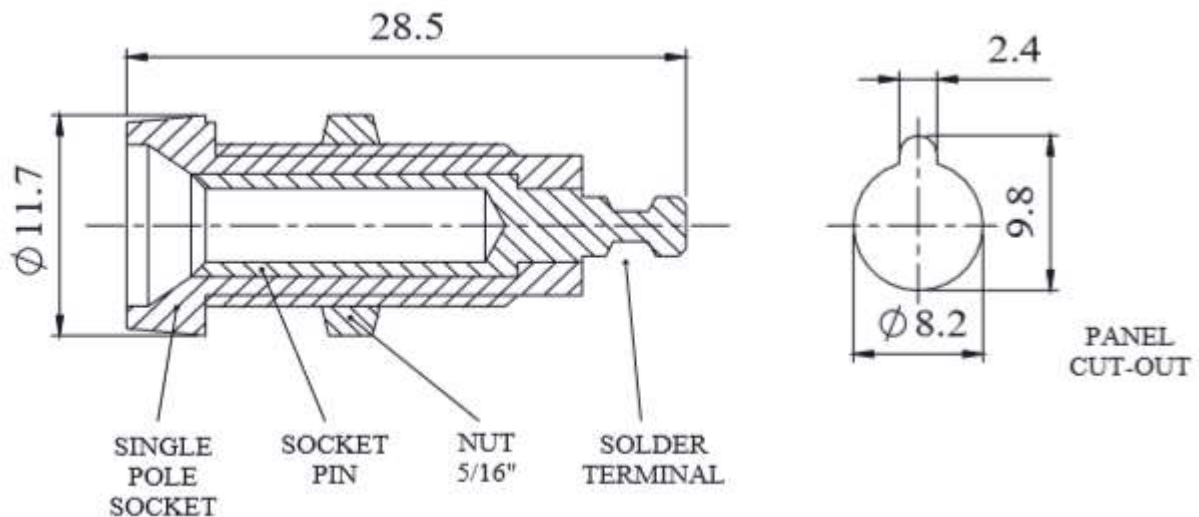
Operating Temperature	+147°C to -20°C
------------------------------	-----------------

Approvals

Declarations	RoHS Certificate of Compliance
---------------------	--------------------------------

Similar Products

Parameters	1806641	1806642	1806643	1806644
Brand	RS PRO	RS PRO	RS PRO	RS PRO
Type	Standard Banana Plug	Standard Banana Plug	Panel Mounting Socket	Panel Mounting Socket
Colour	Black	Red	Black	Red
Gender	Male	Male	Female	Female
Voltage Rating	50V	50V	50V	50V
Current Rating	10A	10A	10A	10A
Termination Method	Solder	Solder	Solder	Solder
Insulation Material	Acetal-LG	Acetal-LG	Polypropylene	Polypropylene
Length	43.8mm	43.8mm	28.5mm	28.5mm
Maximum Panel Thickness			13.5mm MAX	13.5mm MAX



MATERIAL	
INSULATING SHELL	POLYPROPYLENE
SOCKET	BRASS, SILVER PLATED
NUT	BRASS, NICKEL PLATED
ELECTRICAL	
RATED CURRENT	10A
RATED VOLTAGE	50V
NOMINAL WORKING VOLTAGE	250 VOLTS R.M.S
CONTACT RESISTANCE	10mΩ
TEMPERATURE	+147°C to -20°C
RECOMMENDED TEMPERATURE	10A @ 55°C
MECHANICAL	
RECOMMENDED TORQUE	0.4Nm MAX
RECOMMENDED PANEL THICKNESS	13.5mm MAX