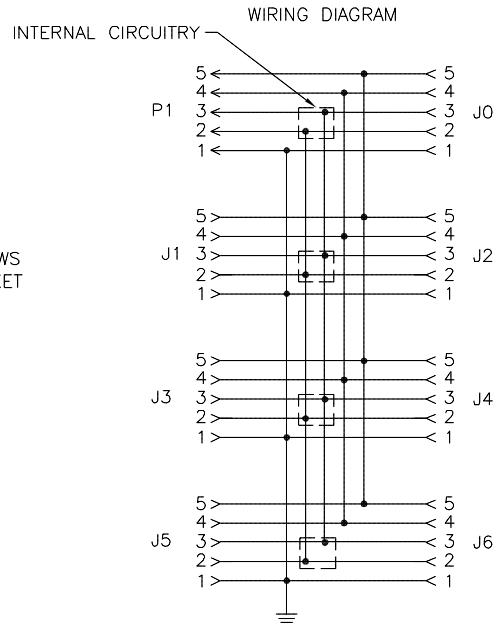
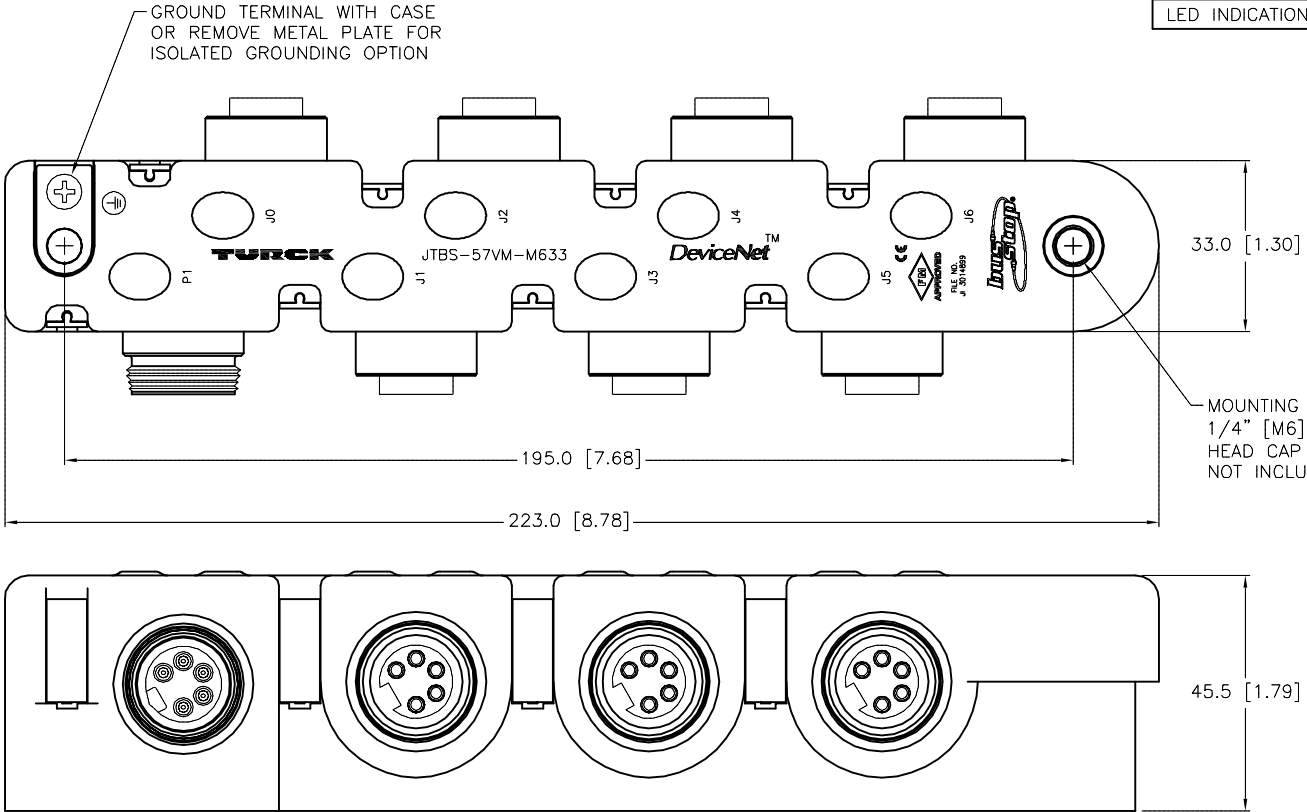
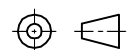


SPECIFICATIONS	
HOUSING MATERIAL/COLOR	TPU/BLACK
RECEPTACLE HOUSING/PLATING	STAINLESS STEEL/PASSIVATED
CONTACT CARRIERS	TPU
CONTACT MATERIAL/PLATING	BRASS/GOLD
OPERATING VOLTAGE	35 VDC
OPERATING CURRENT	4.0 A PER CONNECTOR
PROTECTION CLASS	NEMA 1,3,4,6,13 AND IEC IP67
OPERATING TEMPERATURE	-30°C to 80°C (-22°F to 176°F)
LED INDICATION, FLASHING AMBER	< 12.9 V
LED INDICATION, GREEN	21.9-25.6 V
LED INDICATION, AMBER	> 25.6 V



SOURCE DRAWING - FOR REFERENCE ONLY

NOTES:
1. INTERNAL VOLTAGE MONITORING CIRCUITRY IS LOCATED BETWEEN PINS 2 AND 3.

RELATED DOCUMENTS 1. 2. 3. 4.	3RD ANGLE PROJECTION 	THIS DRAWING IS CONFIDENTIAL AND THE PROPERTY OF TURCK INC. USE OF THIS DOCUMENT WITHOUT WRITTEN PERMISSION IS PROHIBITED.		3000 CAMPUS DRIVE MINNEAPOLIS, MN 55441 1-800-544-7769 (763) 553-7300 (763) 553-0708 fax www.turck.us	
	MATERIAL	ALL DIMENSIONS DISPLAYED ON THIS DRAWING ARE FOR REFERENCE ONLY	DRFT RDS APVD GC	DATE 06/04/02 SCALE 1=1.5	DESCRIPTION TURCK JTBS-57VM-M633
FINISH	CONTACT TURCK FOR MORE INFORMATION	UNIT OF MEASUREMENT MILLIMETER [INCH]		IDENTIFICATION NO. U8684-63	REV E
E UPDATED NOTES AND WIRING DIAGRAM PER ECO REV DESCRIPTION		TV 08/26/16 BY DATE ECO NO.	DO NOT SCALE THIS DRAWING		FILE: U8684-63 SHEET 1 OF 1